

MARKING

Fagor Electrónica Semiconductores

LEGEND

- MC: Fagor Marking code
 WW: Week code
 Y: Year code
: Fagor logo
: UL mark (When required)
: Circuit diagram

**HALOGEN
FREE**

: HF: In Axial=>Add suffix HF in Fagor Marking code when Halogen Free is required.
 H: In all other packages => Add suffix H in front of WW (Week code) when Halogen Free is required. HWW

- + : Positive polarity
 - : Negative polarity
 ~ : Alternate

Week code: Manufacturing week => 01/02/03/04/05/06/07/08/09/10/11/...../52/

Year code:

Calendar	2	2	2	2	2	2	2	2	2	2	2	2	2	2	2	2	2	2	2	2	2	2
	0	0	0	0	0	0	0	0	0	0	0	0	0	0	0	0	0	0	0	0	0	0
	1	1	1	1	1	1	1	1	1	1	2	2	2	2	2	2	2	2	2	2	2	3
Year code	0	1	2	3	4	5	6	7	8	9	0	1	2	3	4	5	6	7	8	9	0	
		A	B	C	D	E	F	H	J	K	L	M	N	P	R	S	T	U	V	W	X	A

MARKING

Fagor Electrónica Semiconductores

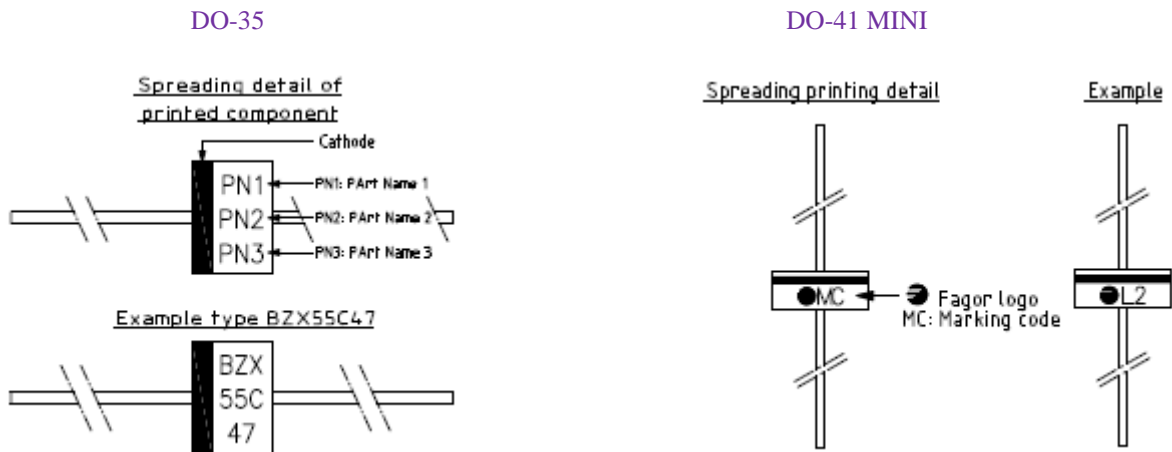
DIODES

AXIAL MARKING

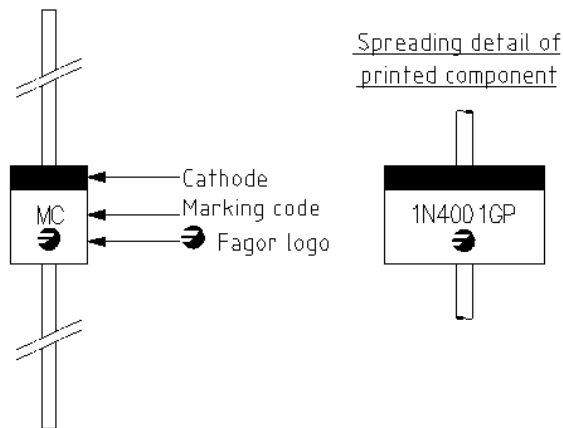
DIODES

Package: DO-35 / A-405 / DO-41M / DO-204AL (DO-41) / DO-204AC (DO-15) / DO-201AE / DO-201AD (DO-27) / P-6 / R-6

Package: DO-35



A-405 / DO-204AL (DO-41) / DO-204AC (DO-15) / DO-201AE / DO-201AD (DO-27) / P-6 / R-6



* No cathode band for bidirectional.

* HF: Halogen free products MC finished in HF; eg. 1N4001GPH

MARKING

Fagor Electrónica Semiconductores

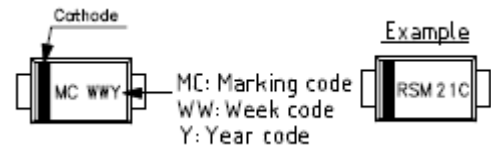
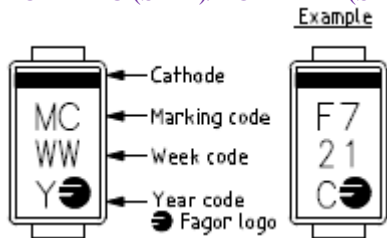
SMD MARKING

DIODES

Package: DO-214AC (SMA) / DO-214AA (SMB) / DO-214AB (SMC) / SOD123W / SOD128 / POWER SMD1 / TO-263AB (D2PAK) / TO-252AA (DPAK)

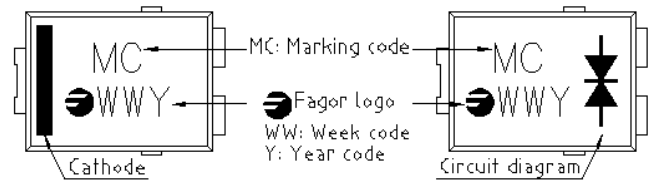
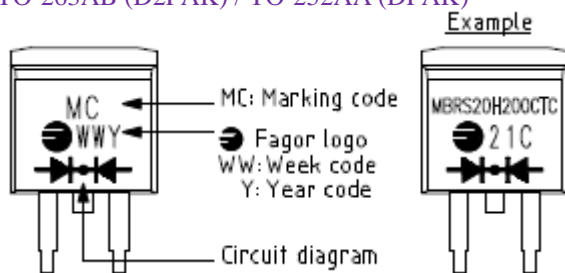
DO-214AC (SMA)/DO-214AA (SMB)/DO-214AB (SMC)

SOD123W/SOD128/POWER SMD1



TO-263AB (D2PAK) / TO-252AA (DPAK)

TO-277A (SMPC)



* No cathode band for bidirectional.

* H: Halogen free products add suffix H before WW week code; eg.H21

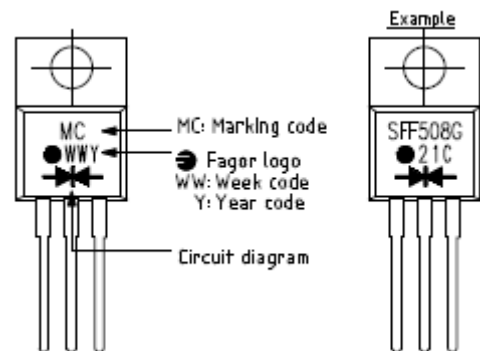
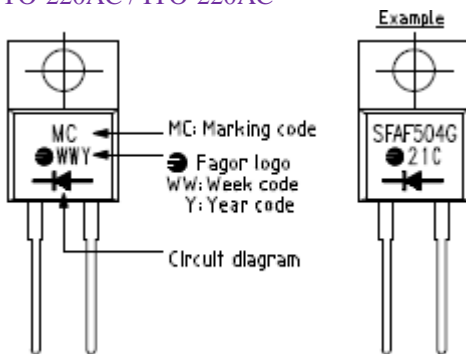
POWER PACK MARKING

DIODES

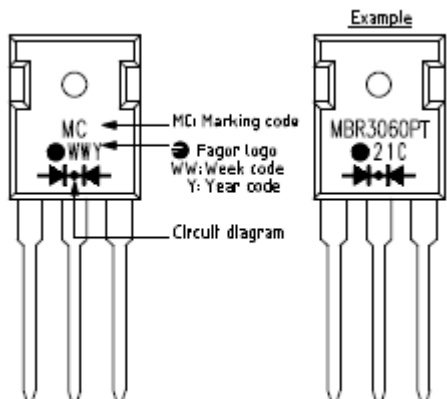
Package: TO-220AC / TO-220AB / ITO-220AC / ITO-220AB / TO-247AD

TO-220AC / ITO-220AC

TO-220AB / ITO-220AB



TO-247AD



MARKING

Fagor Electrónica Semiconductores

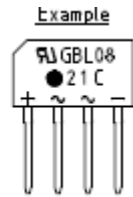
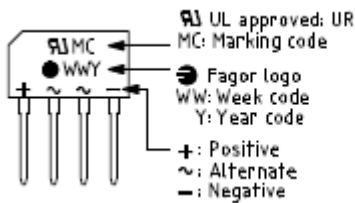
BRIDGES

IN LINE MARKING

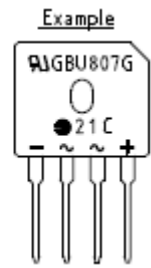
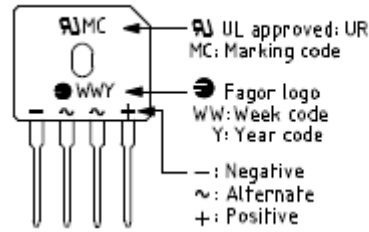
BRIDGES

Package: GBL / GBU / DSB MEDIUM IN LINE / DXB BIG IN LINE

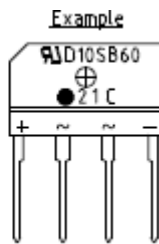
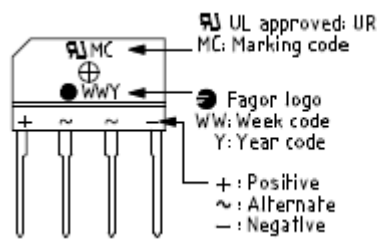
GBL



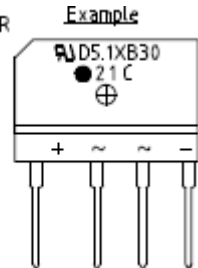
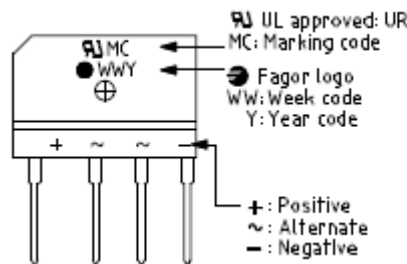
GBU



DSB MEDIUM IN LINE



DXB BIG IN LINE

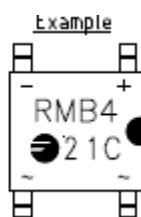
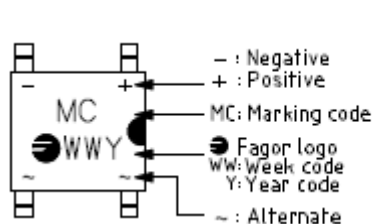


SMD MARKING

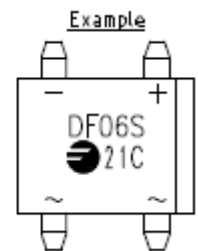
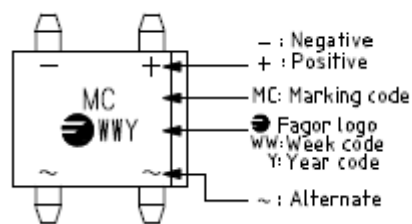
BRIDGES

Package: TO-269AA (MBS) / DFS / THIN DFS / THIN MINI DIP

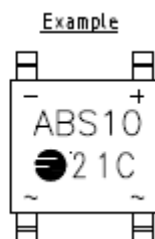
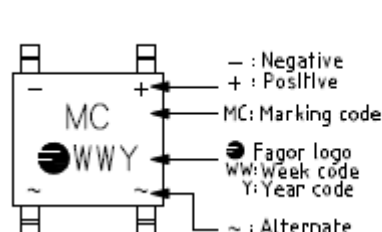
TO-269AA (MBS)



DFS / THIN DFS



THIN MINI DIP



MARKING

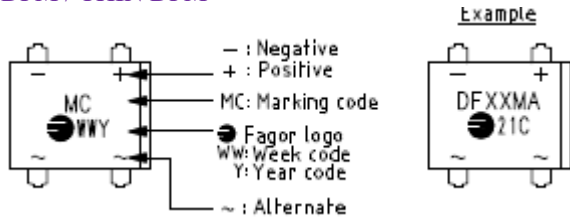
Fagor Electrónica Semiconductores

RADIAL/THROUGH HOLE MARKING

BRIDGES

Package: DFM / THIN DFM

DFM / THIN DFM

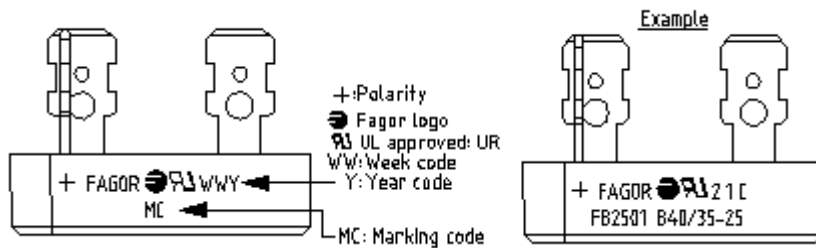


FASTON/WIRED MARKING

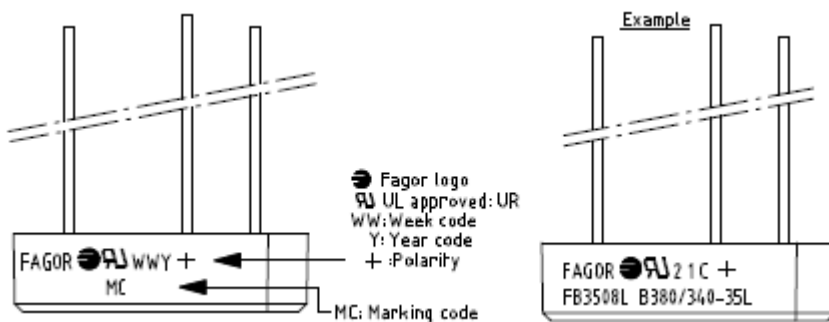
BRIDGES

Package: POWER / POWER L

POWER



POWER L



MARKING

Fagor Electrónica Semiconductores

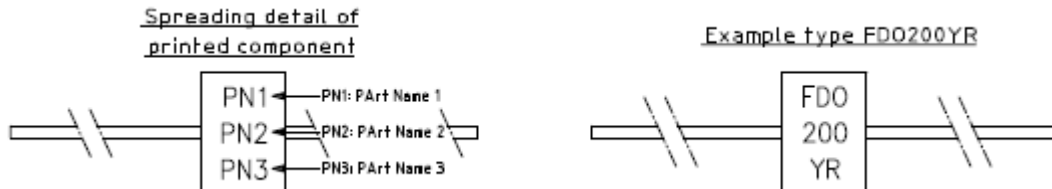
THYRISTORS

AXIAL MARKING

THYRISTORS

Package: DO-35

DO-35 DIAC

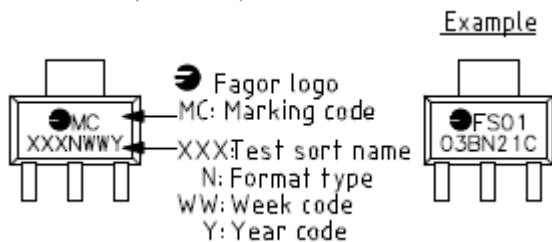


SMD MARKING

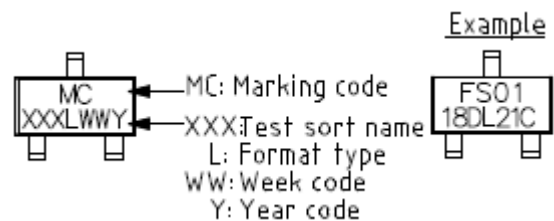
THYRISTORS

Package: TO-261AA (SOT-223) / TO-236AB (SOT-23 3L) / TO-252AA (DPAK) / TO-263AB (D2PAK) / DO-213AA (MINIMELF)

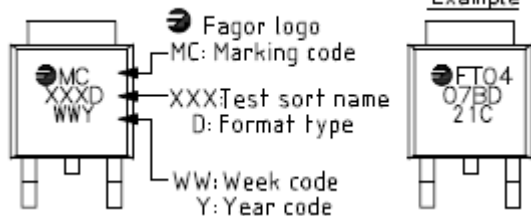
TO-261AA (SOT-223)



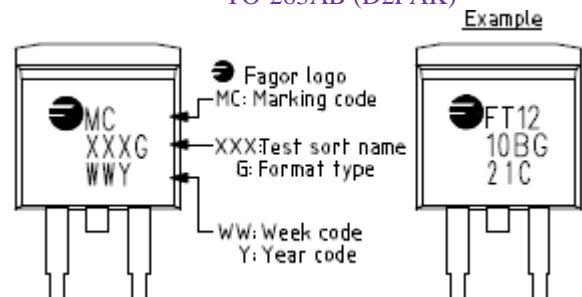
TO-236AB (SOT-23 3L)



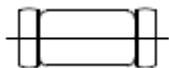
TO-252AA (DPAK)



TO-263AB (D2PAK)



DO-213AA (MINIMELF)



MARKING

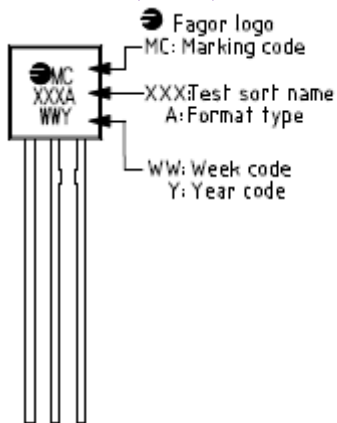
Fagor Electrónica Semiconductores

THROUGH HOLE MARKING

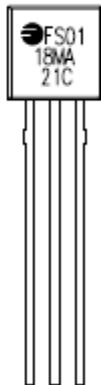
THYRISTORS

Package: TO-226AA (TO-92) / TO-251 (IPAK)

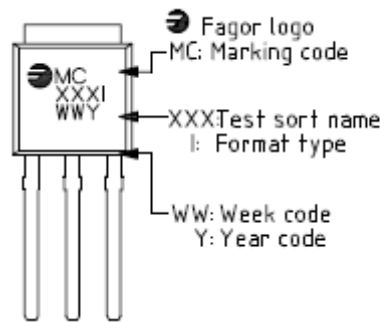
TO-226AA (TO-92)



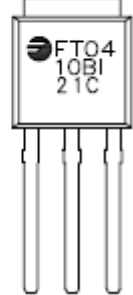
Example



TO-251 (IPAK)



Example

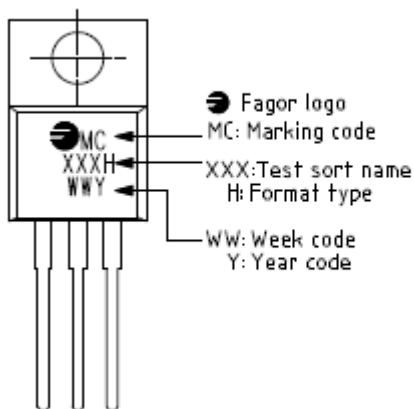


POWER PACK MARKING

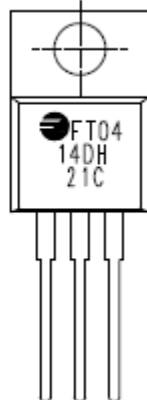
THYRISTORS

Package: / TO-220 AB / TO-220 AB INSULATED / TO-220 F / TO-3P INSULATED / TO-3P FP

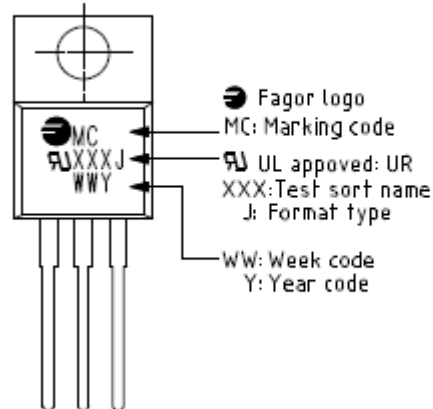
TO-220 AB



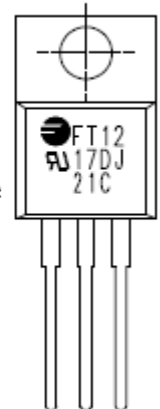
Example



TO-220 AB INSULATED



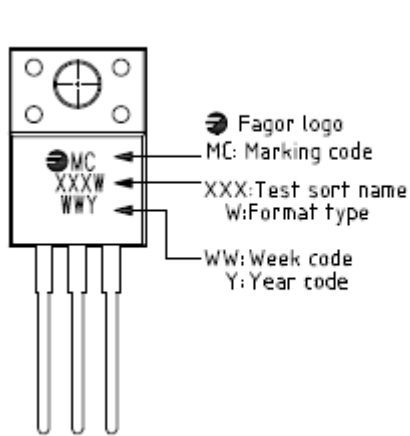
Example



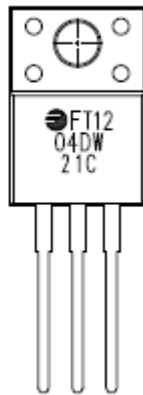
MARKING

Fagor Electrónica Semiconductores

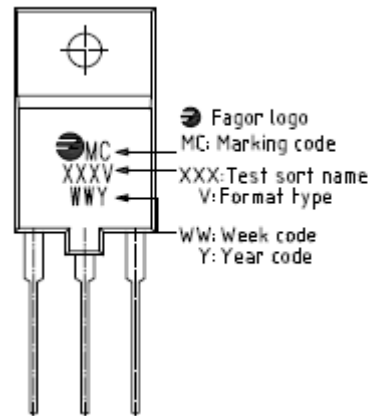
TO-220 F



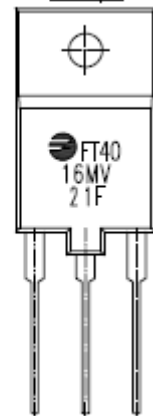
Example



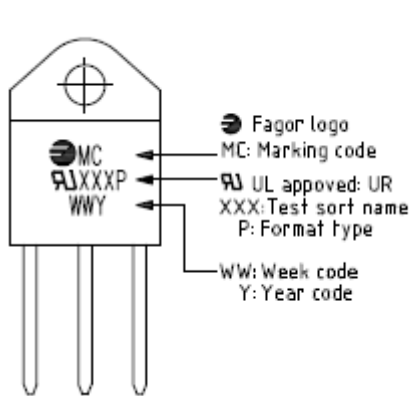
TO-3P FP



Example



TO-3P INSULATED



Example

