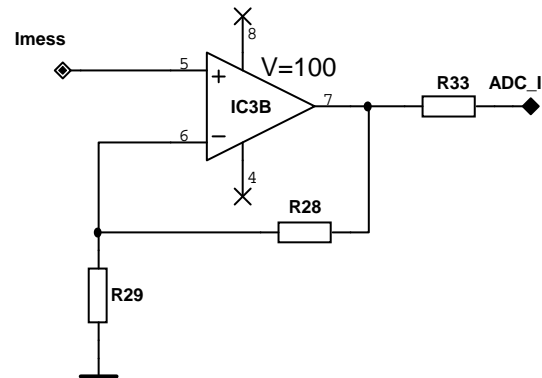
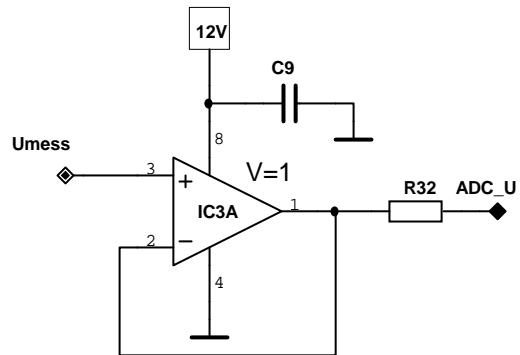


FH Campus Wien
 Favoritenstraße 226
 1100 Wien
 +43 1 606 68 77-6600



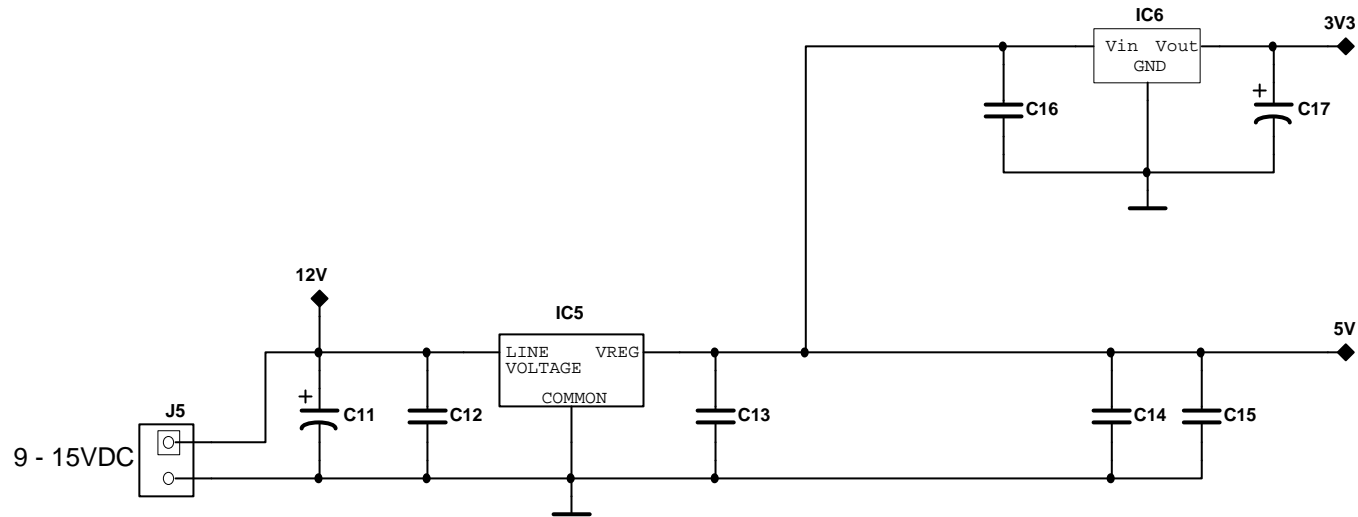
Title: uC Teil		Desc.: PV Messstation_v0.5	
Designed by: Roman Dissauer	Document No: 0001	Revision: 0.5	
Checked by:	Date: 2010-10-28	Size: A4	
Approved by:	Sheet 3 of 6		



FH Campus Wien
 Favoritenstraße 226
 1100 Wien
 +43 1 606 68 77-6600



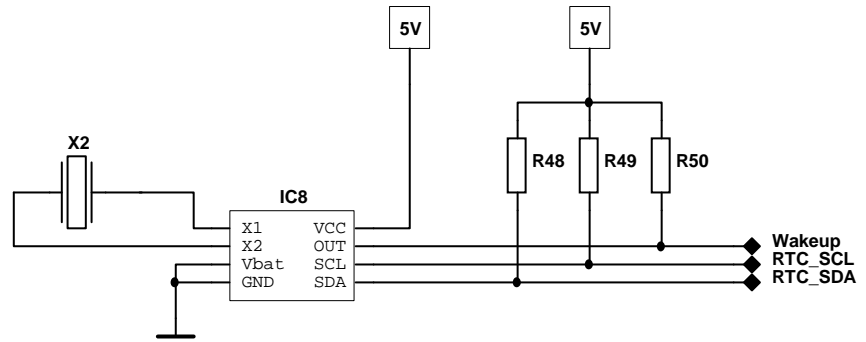
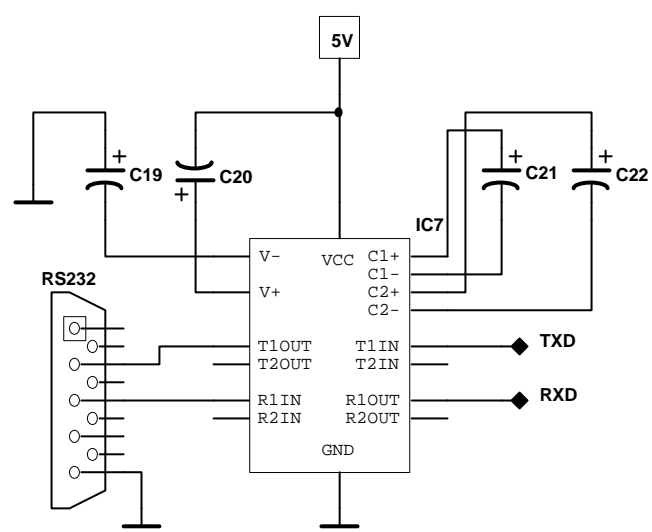
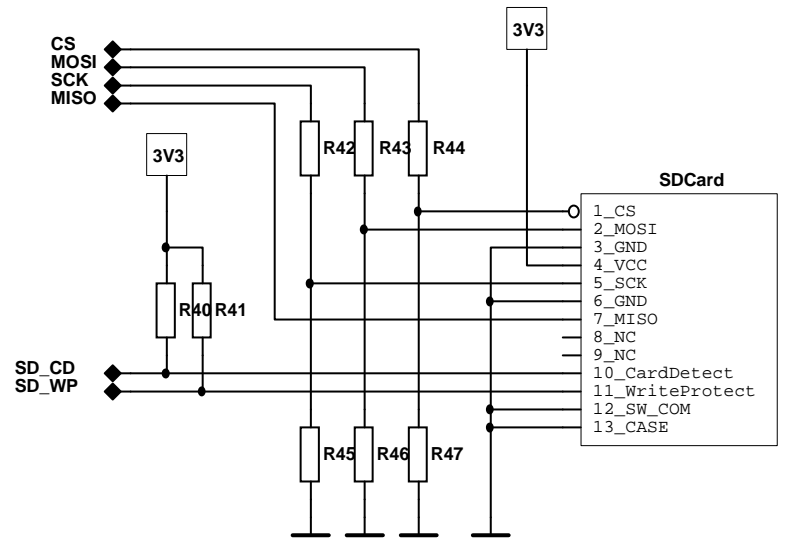
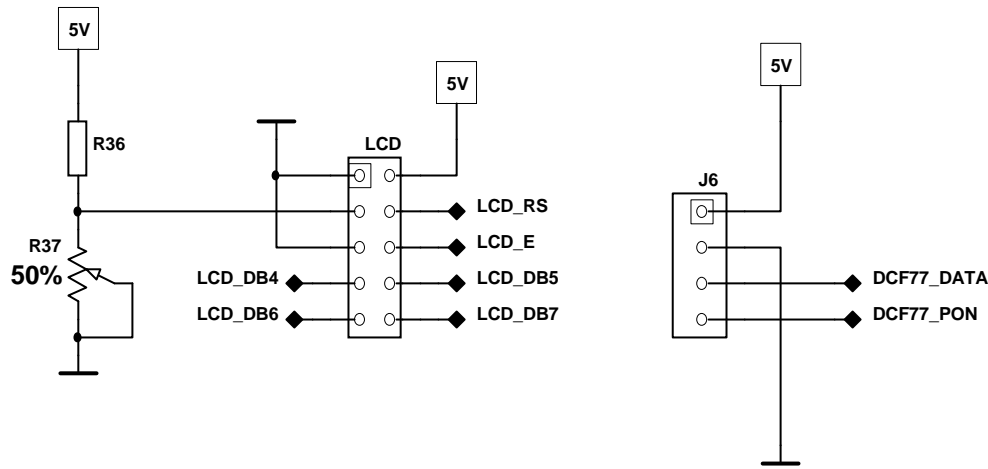
Title: Messverstärker(SC3)		Desc.: PV Messstation_v0.5	
Designed by: Roman Dissauer		Document No: 0001	Revision: 0.5
Checked by:		Date: 2010-10-28	Size: A4
Approved by:		Sheet 4 of 6	



FH Campus Wien
 Favoritenstraße 226
 1100 Wien
 +43 1 606 68 77-6600



Title: Stromversorgung(SC4)		Desc.: PV Messstation_v0.5	
Designed by: Roman Dissauer		Document No: 0001	Revision: 0.5
Checked by:		Date: 2010-10-28	Size: A4
Approved by:		Sheet 5 of 6	



FH Campus Wien
 Favoritenstraße 226
 1100 Wien
 +43 1 606 68 77-6600



Title: Digital Peripherie		Desc.: PV Messstation_v0.5	
Designed by: Roman Dissauer		Document No: 0001	Revision: 0.5
Checked by:		Date: 2010-10-28	Size: A4
Approved by:		Sheet 6 of 6	