

Figure 18.17 Circuit Application in Standard Serial I/O Mode 1

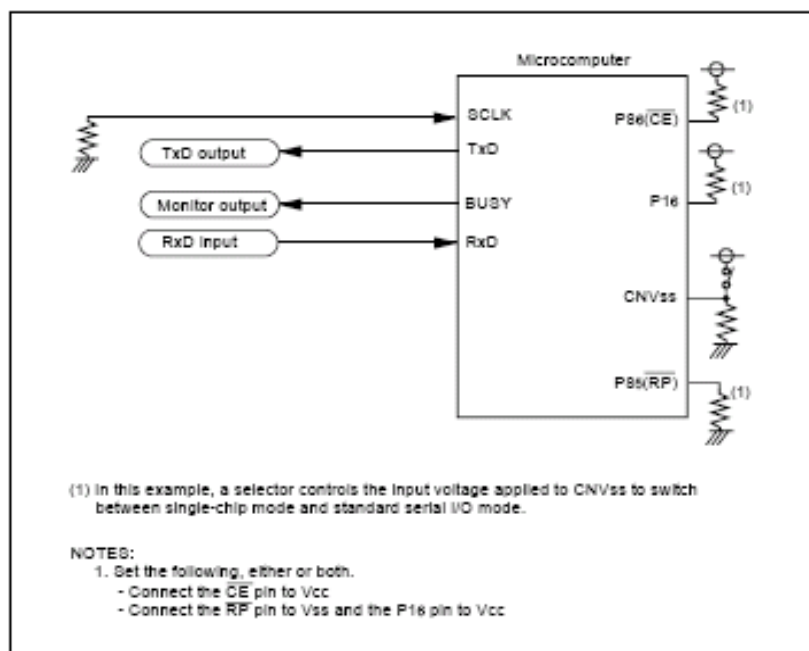


Figure 18.18 Circuit Application in Standard Serial I/O Mode 2