

INFO (OPTION 1)

GAIN SELECT DIPSWITCHES FOR STAGE 1 (VRV, XPGR AND XPOL NOT MOUNTED)

DL1-A + DR1-A	DL1-B + DR1-B	GAIN
OFF	OFF	0 DB
OFF	ON	0 DB
ON	OFF	6 DB
ON	ON	6 DB

✗ = DO NOT USE
 ON = SWITCH CLOSED
 OFF = SWITCH OPEN

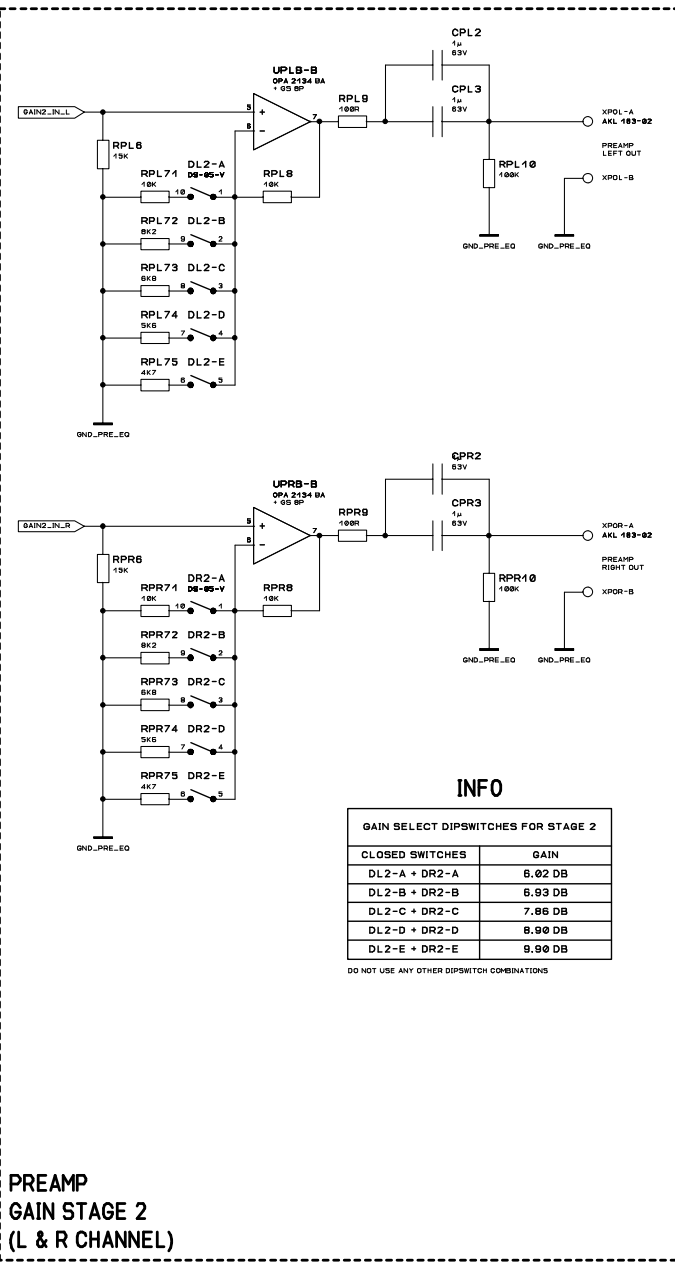
INFO (OPTION 2)

FOR POTENTIOMETER ADJUSTABLE GAIN THE FOLLOWING CHANGES NEED TO BE MADE:
 - REPLACE DL1-A + DR1-A WITH A LINK (WIRE)
 - LEAVE OUT DL1-B + DR1-B
 GAIN: 0 - 6 DB

INFO

UP TO 3 DB ATTENUATION IF BALANCE IS ACTIVE
 TO PERMANENTLY DISABLE THE BALANCE CONTROL THE FOLLOWING CHANGE NEEDS TO BE MADE:
 - LEAVE OUT XBAL AND VRB

PREAMP VOLUME CONTROL, BALANCE CONTROL AND BALANCE DEFEAT SWITCH (L & R CHANNEL)



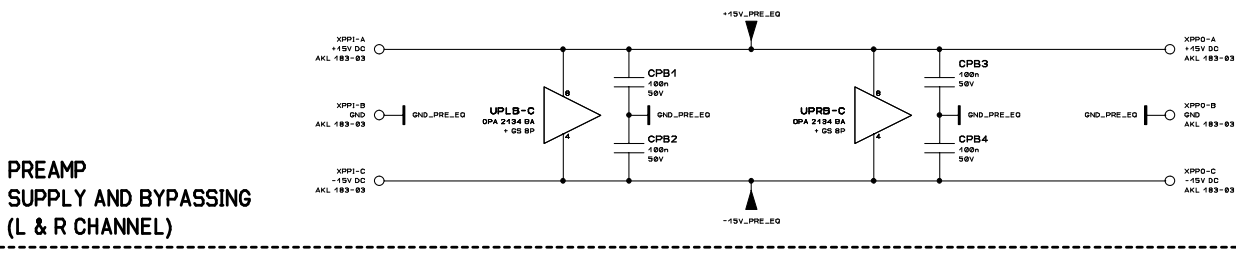
INFO

GAIN SELECT DIPSWITCHES FOR STAGE 2

CLOSED SWITCHES	GAIN
DL2-A + DR2-A	6.02 DB
DL2-B + DR2-B	6.93 DB
DL2-C + DR2-C	7.86 DB
DL2-D + DR2-D	8.90 DB
DL2-E + DR2-E	9.90 DB

DO NOT USE ANY OTHER DIPSWITCH COMBINATIONS

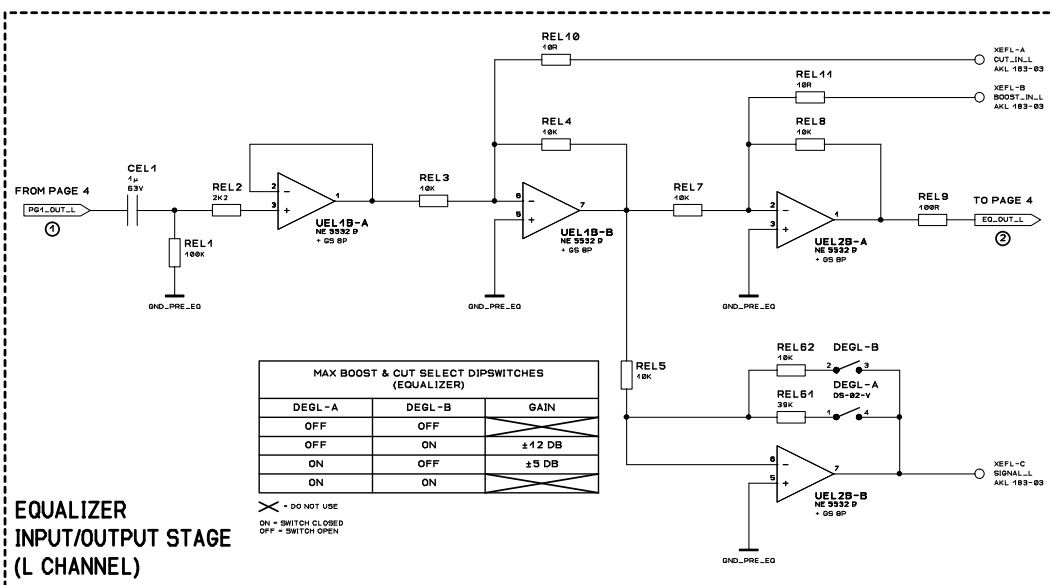
PREAMP GAIN STAGE 2 (L & R CHANNEL)



PREAMP SUPPLY AND BYPASSING (L & R CHANNEL)

- ⊗ DRILL Ø 3.20 mm
- ⊗ DRILL Ø 3.20 mm
- ⊗ DRILL Ø 3.20 mm
- ⊗ DRILL Ø 3.20 mm

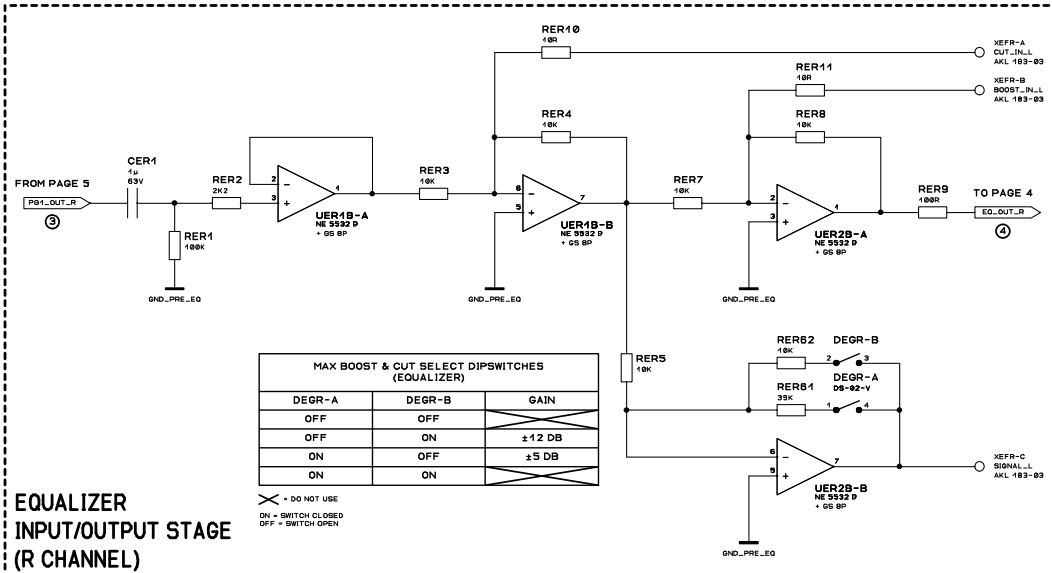
PAGE:	4	OF:	7
PROJECT-NO.:	LP0008b	VERSION:	v1
DESIGNER:	FLORIAN	DATE:	13.12.2011
PROJECT-URL.:	https://myurl.com/ESP-PB3 https://myurl.com/RAL-SPLIT https://myurl.com/ESP-PB3 https://myurl.com/HP-PIREAK		
PROJECT-NAME:	PREQUALIZER PREAMP		



**EQUALIZER
INPUT/OUTPUT STAGE
(L CHANNEL)**

MAX BOOST & CUT SELECT DIPSWITCHES (EQUALIZER)		
DEGL-A	DEGL-B	GAIN
OFF	OFF	±12 DB
OFF	ON	±5 DB
ON	OFF	±5 DB
ON	ON	±5 DB

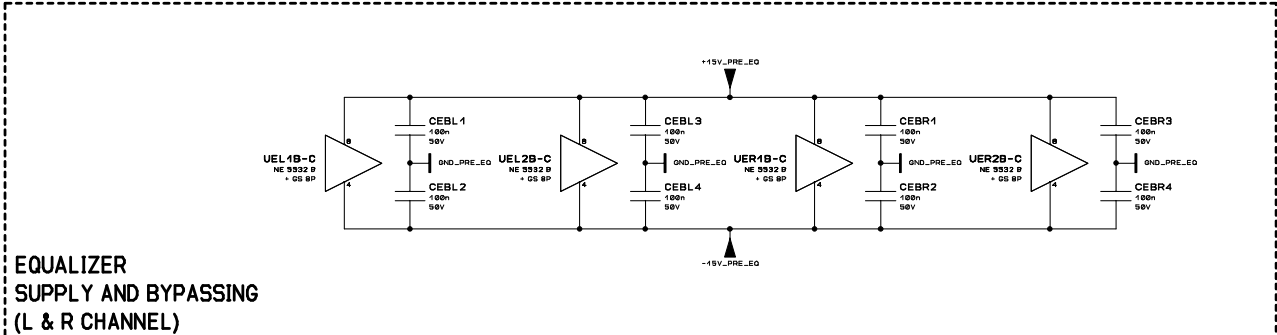
✕ = DO NOT USE
ON = SWITCH CLOSED
OFF = SWITCH OPEN



**EQUALIZER
INPUT/OUTPUT STAGE
(R CHANNEL)**

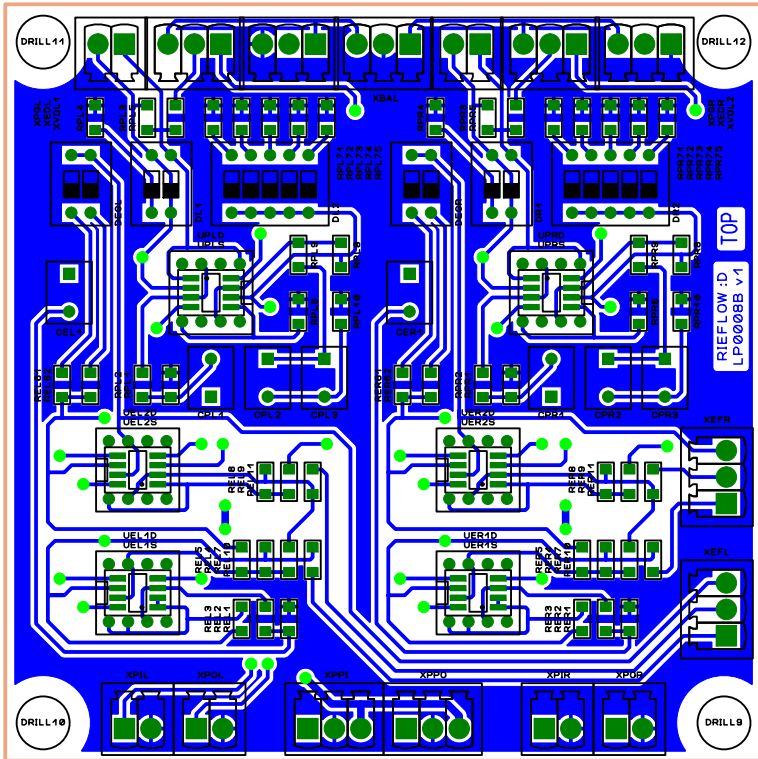
MAX BOOST & CUT SELECT DIPSWITCHES (EQUALIZER)		
DEGR-A	DEGR-B	GAIN
OFF	OFF	±12 DB
OFF	ON	±5 DB
ON	OFF	±5 DB
ON	ON	±5 DB

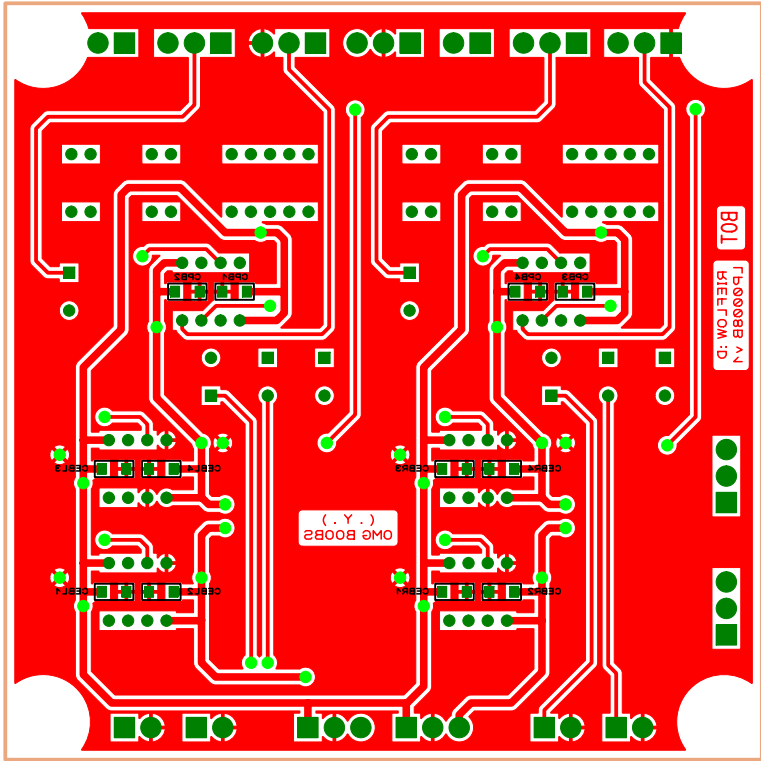
✕ = DO NOT USE
ON = SWITCH CLOSED
OFF = SWITCH OPEN



**EQUALIZER
SUPPLY AND BYPASSING
(L & R CHANNEL)**

PAGE:	5	OF:	7
PROJECT-NO.:	LP0008b	VERSION:	v1
DESIGNER:	FLORIAN	DATE:	13.12.2011
PROJECT-URL.:	http://tinyurl.com/ESP-PB3 http://tinyurl.com/ESP-PF3 http://tinyurl.com/ESP-PB9		
PROJECT-NAME:	PREQUALIZER EQUALIZER IN/OUT STAGE		





BOT ELEC.
BOT SILK.