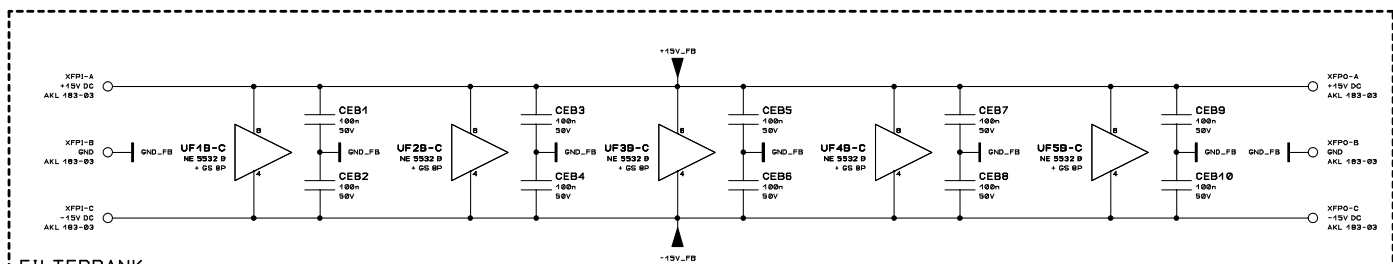
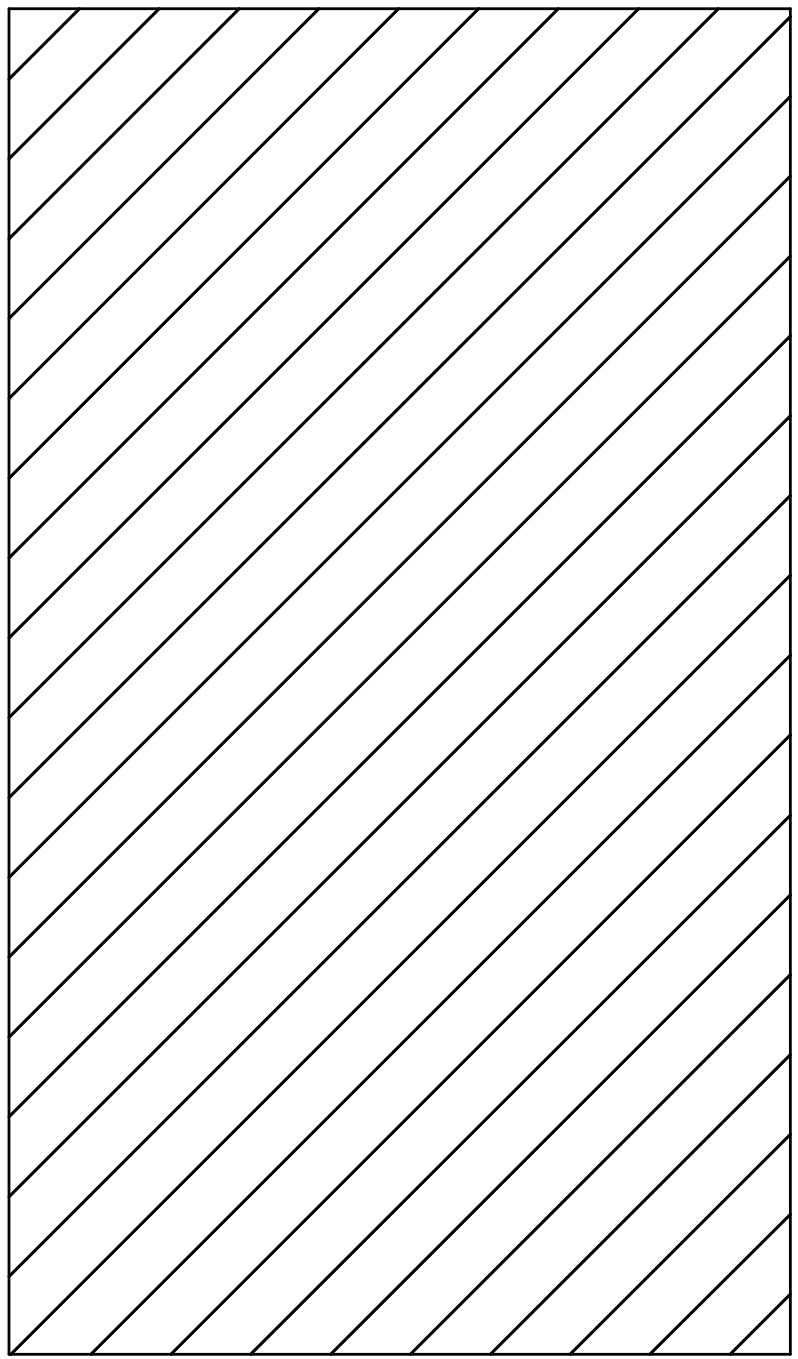


EQUALIZER FILTER BANK

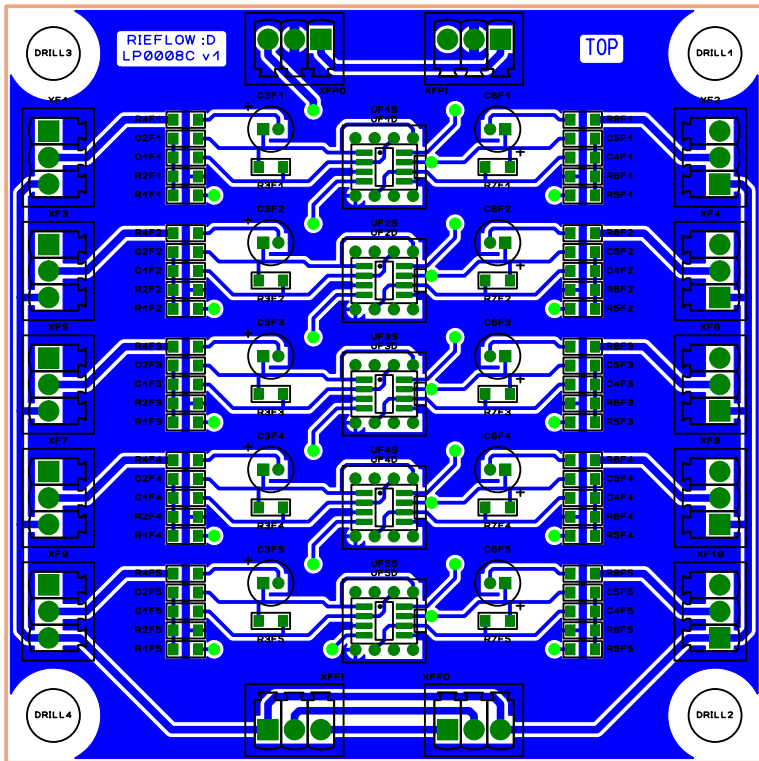


FILTERBANK SUPPLY AND BYPASSING

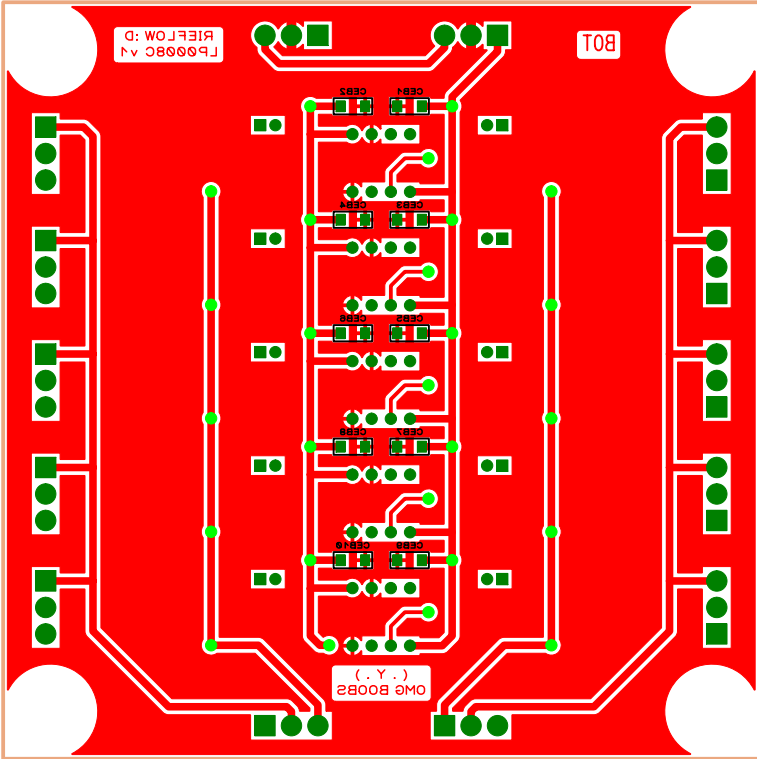


- ⊙ DRILL1  
3.20 mm
- ⊙ DRILL2  
3.20 mm
- ⊙ DRILL3  
3.20 mm
- ⊙ DRILL4  
3.20 mm

|               |   |   |   |
|---------------|---|---|---|
| PAGE:         | 3   | OF:   | 7   |
| PROJECT-NO.:  | LP0008c   | VERSION:  | v1  |
| DESIGNER:     | FLORIAN   | DATE:   | 13.12.2011  |
| PROJECT-URL.: | <a href="http://myur.Lcom/ESP-PB3">http://myur.Lcom/ESP-PB3</a> | <a href="http://myur.Lcom/RAL-SPLIT">http://myur.Lcom/RAL-SPLIT</a> | <a href="http://myur.Lcom/NP-PIREAK">http://myur.Lcom/NP-PIREAK</a> |
| PROJECT-NAME: | PREQUALIZER FILTER BANK   |   |   |



TOP SILK.  
TOP ELEC.



BOT ELEC.  
BOT SILK.