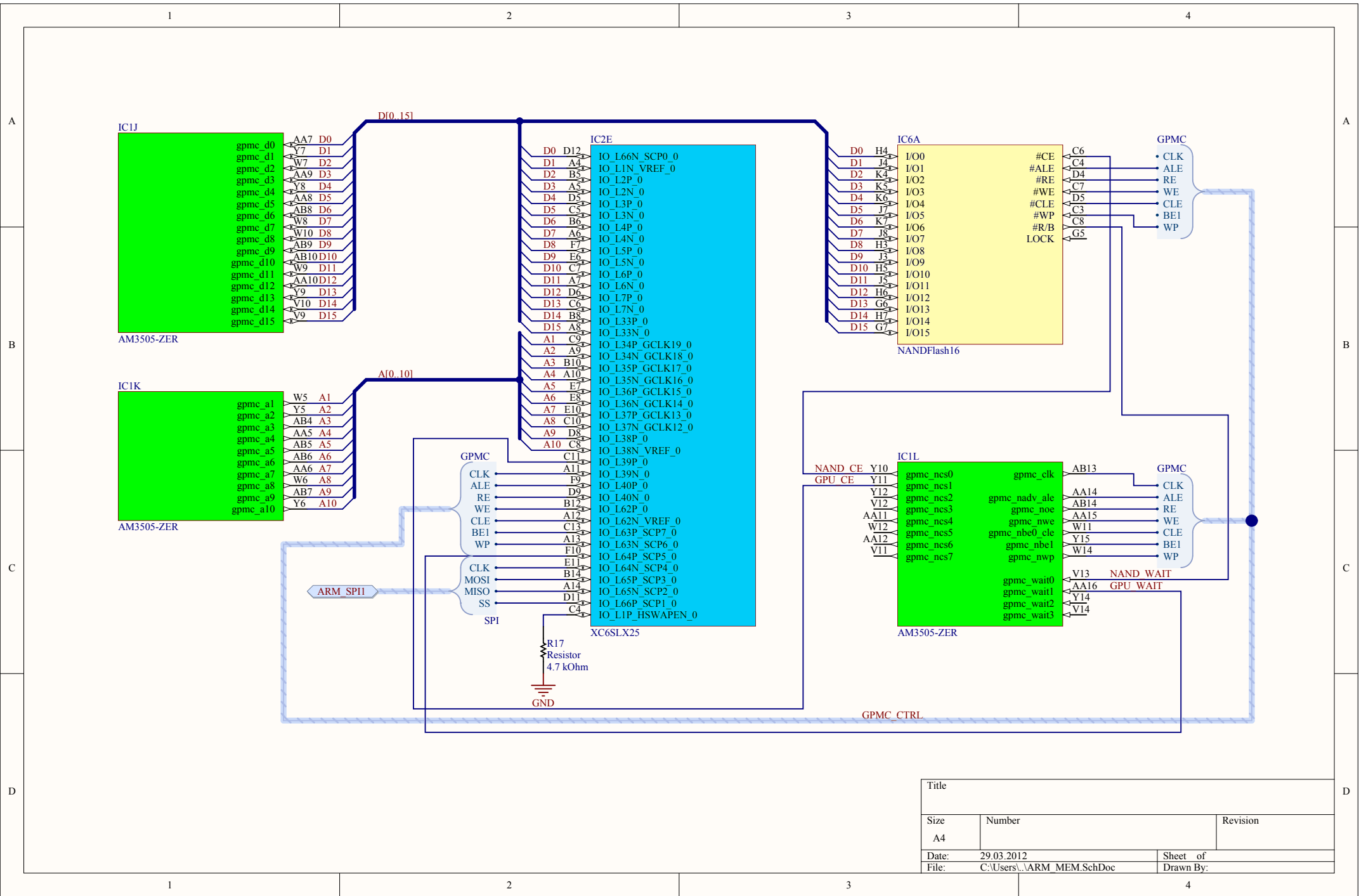
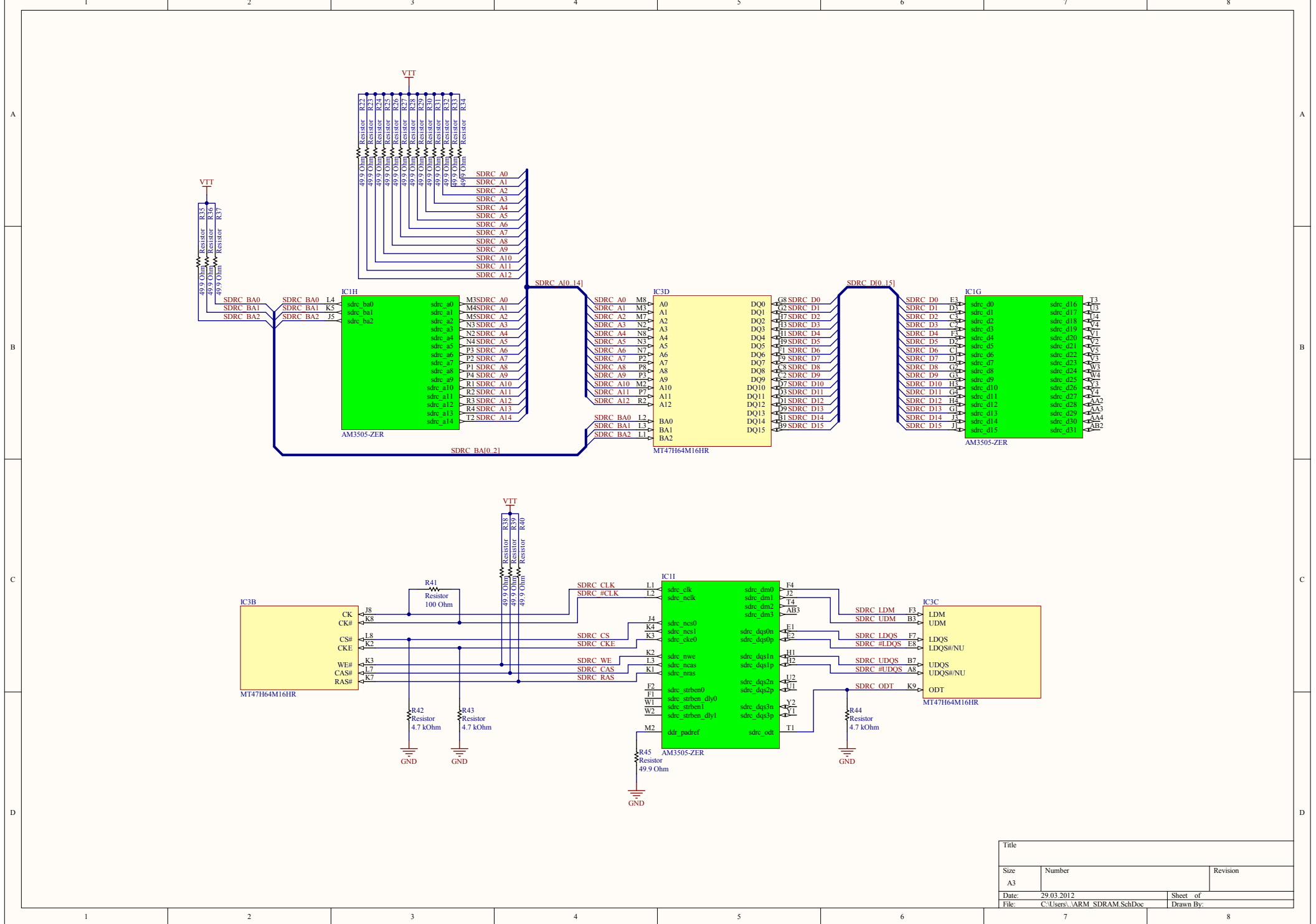


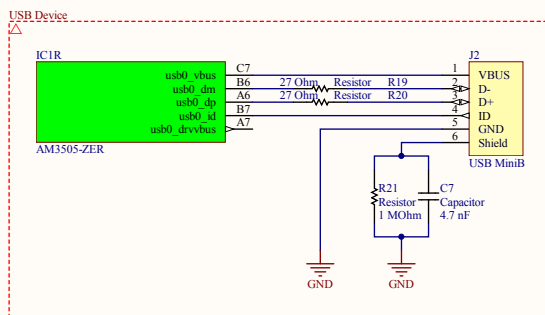
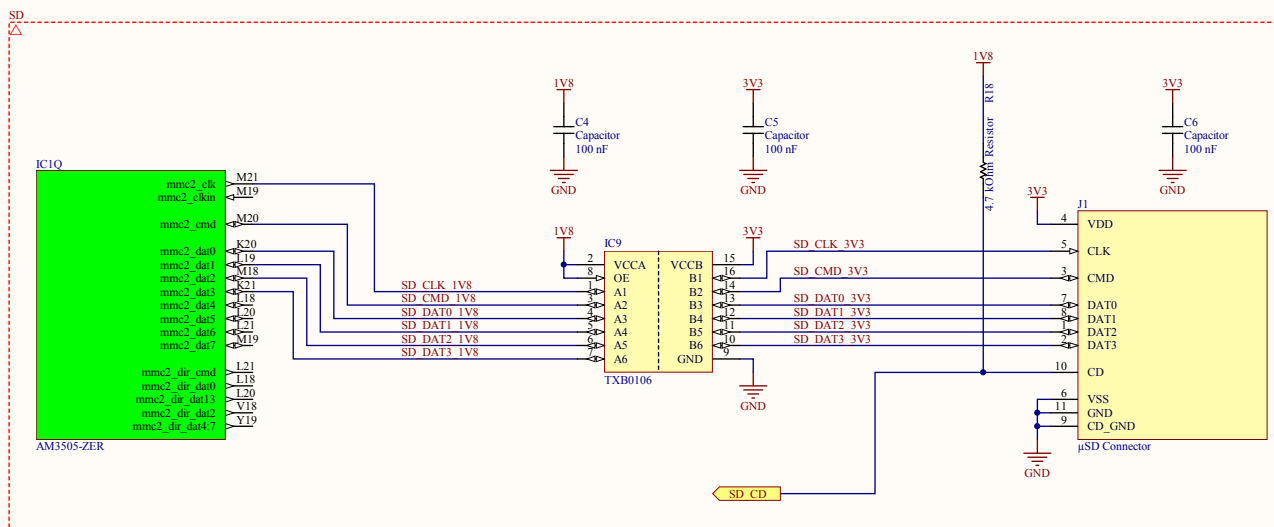
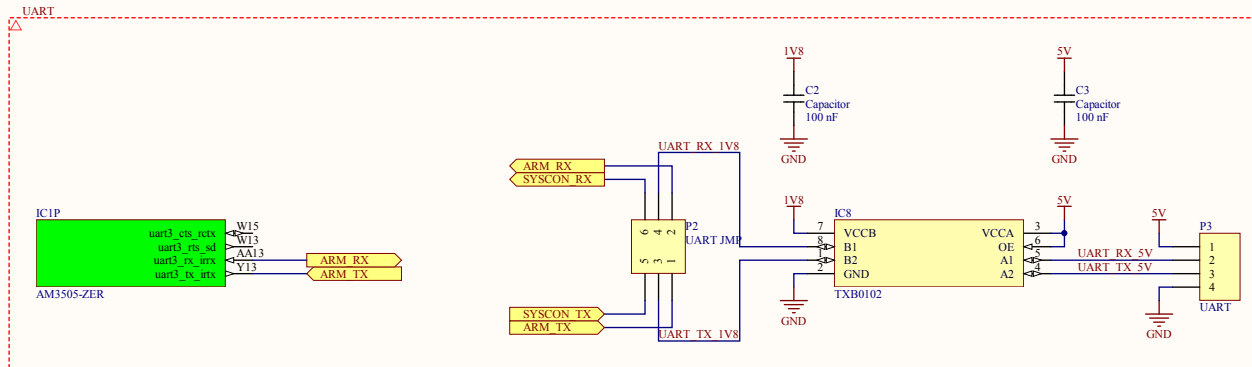
Title		
Size	Number	Revision
A3		
Date:	29.03.2012	Sheet of
File:	C:\Users\ARM_PWR_SchDoc	Drawn By:



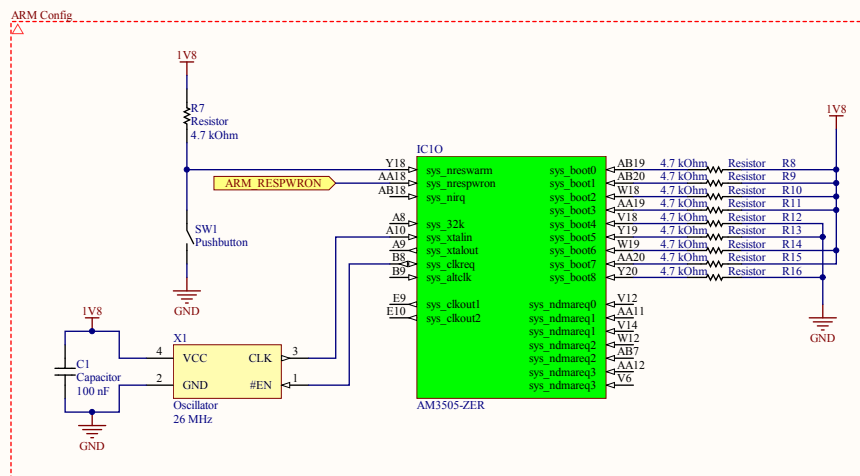
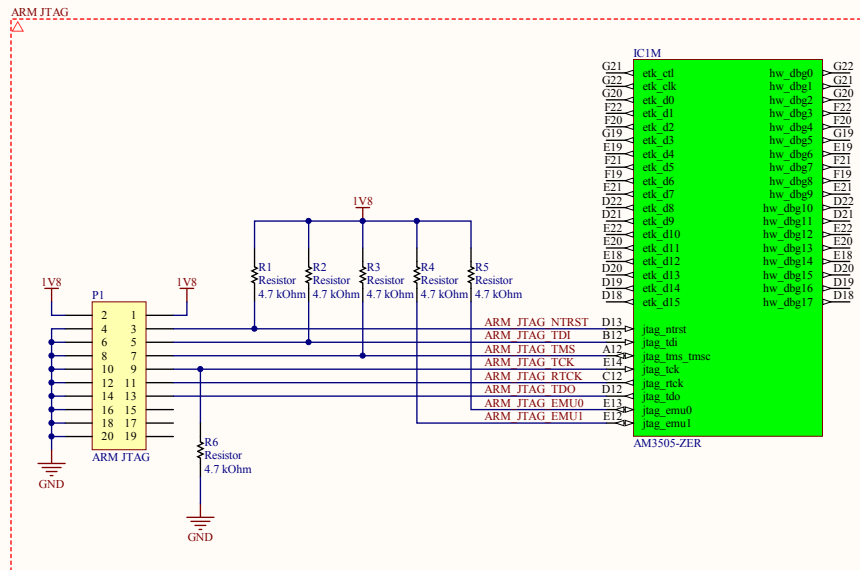
Title		
Size	Number	Revision
A4		
Date:	29.03.2012	Sheet of
File:	C:\Users\... \ARM MEM.SchDoc	Drawn By:



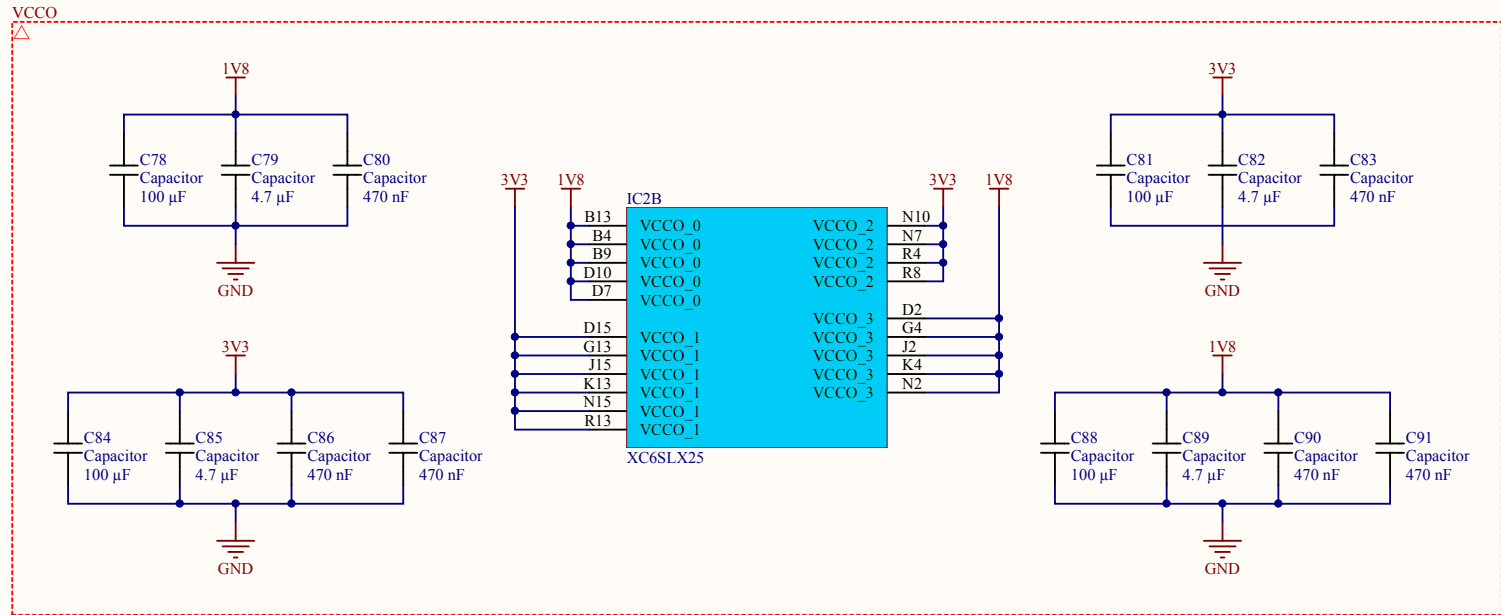
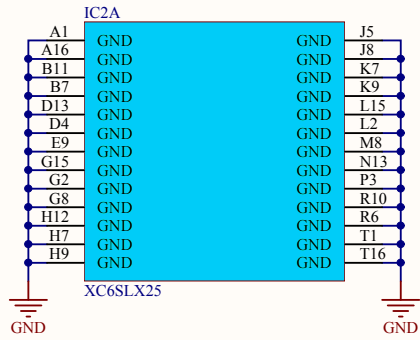
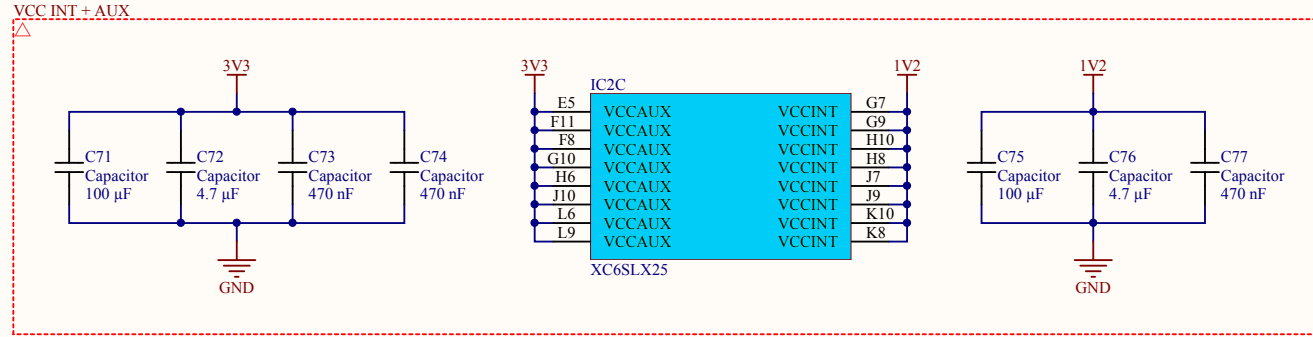
Title		
Size	Number	Revision
A3		
Date:	29.03.2012	Sheet of
File:	C:\Users\...ARM_SDRAM_SchDoc	Drawn By:



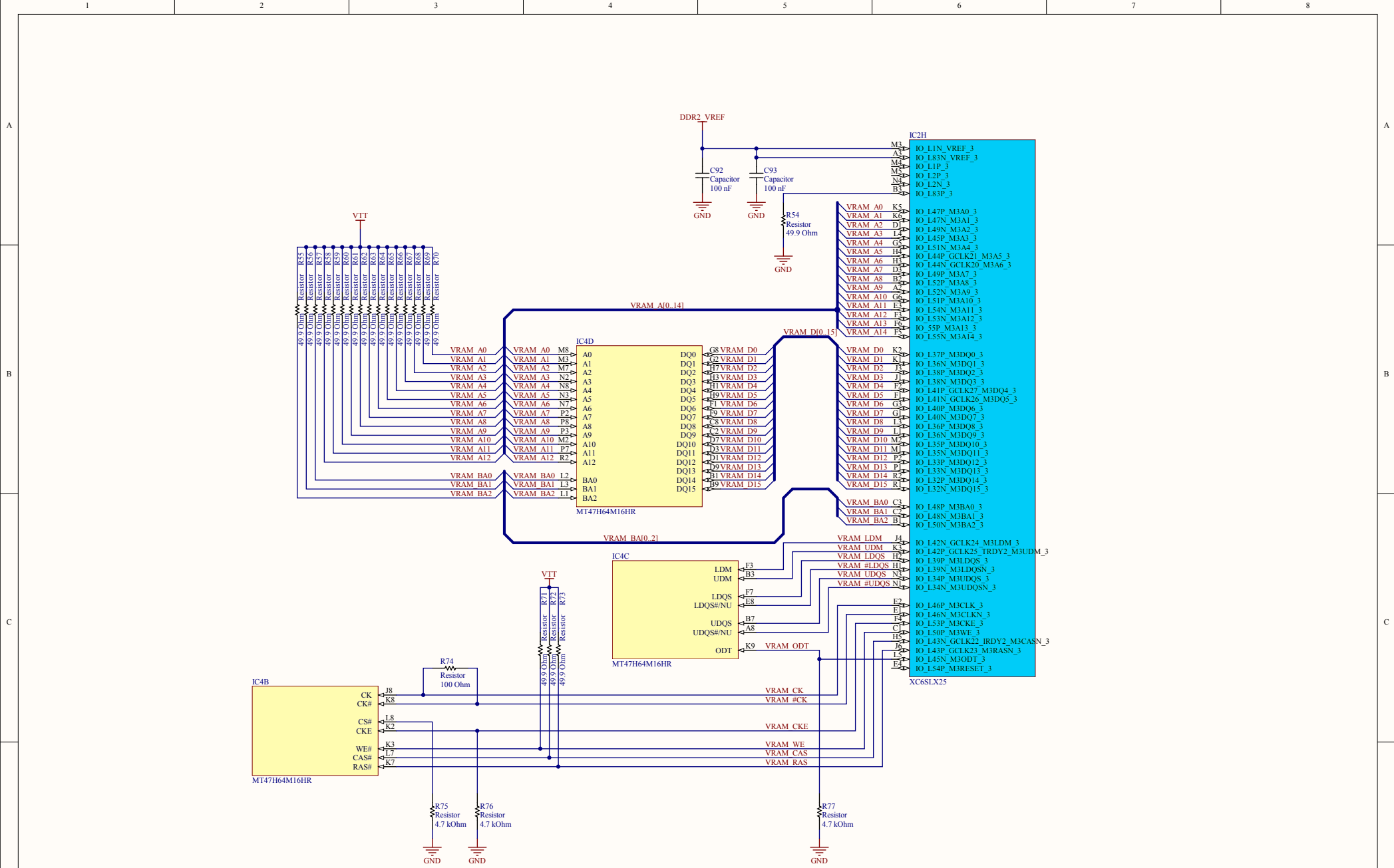
Title		
Size A3	Number	Revision
Date:	29.03.2012	Sheet of
File:	C:\Users\ARM_Periph.SchDoc	Drawn By:



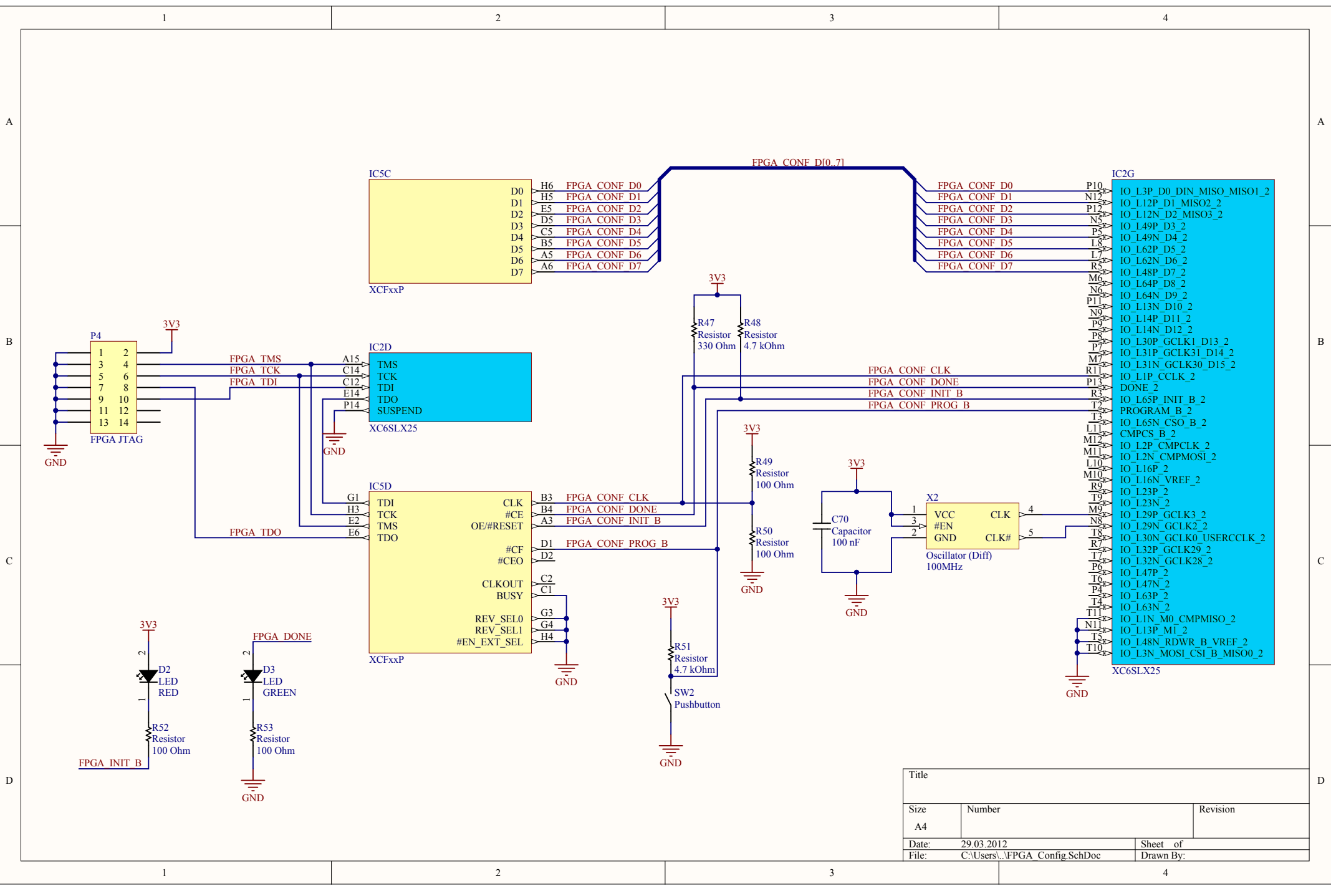
Title		
Size	Number	Revision
A3		
Date:	29.03.2012	Sheet of
File:	C:\Users\...ARM Config SchDoc	Drawn By:



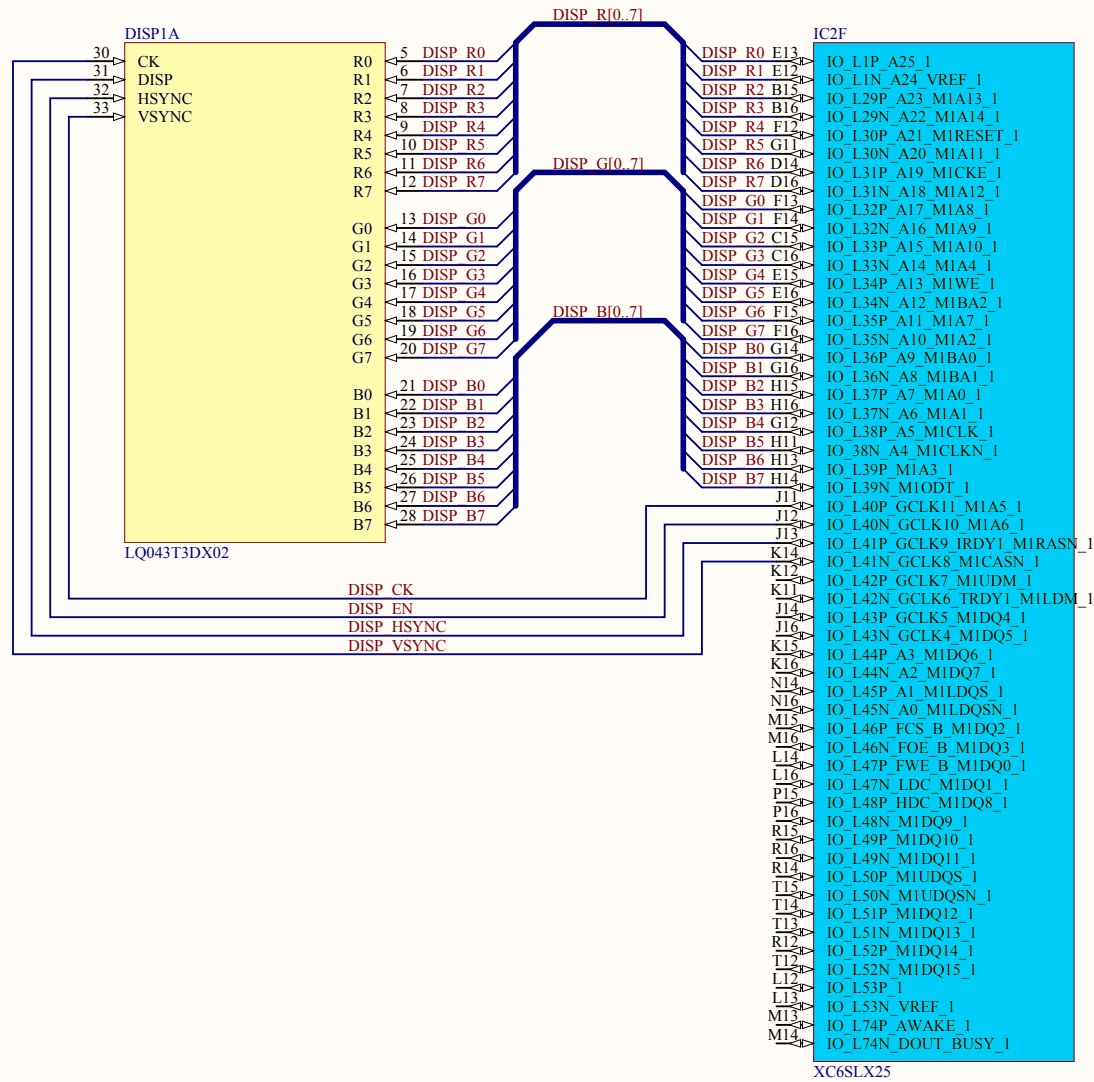
Title		
Size	Number	Revision
A4		
Date:	29.03.2012	Sheet of
File:	C:\Users\...FPGA_PWR.SchDoc	Drawn By:



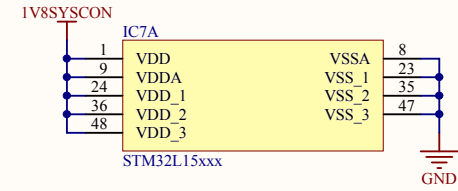
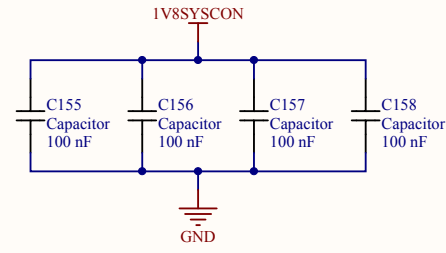
Title		
Size	Number	Revision
A3		
Date:	29.03.2012	Sheet of
File:	C:\Users\FPGA\SDRAM_SchDoc	Drawn By:



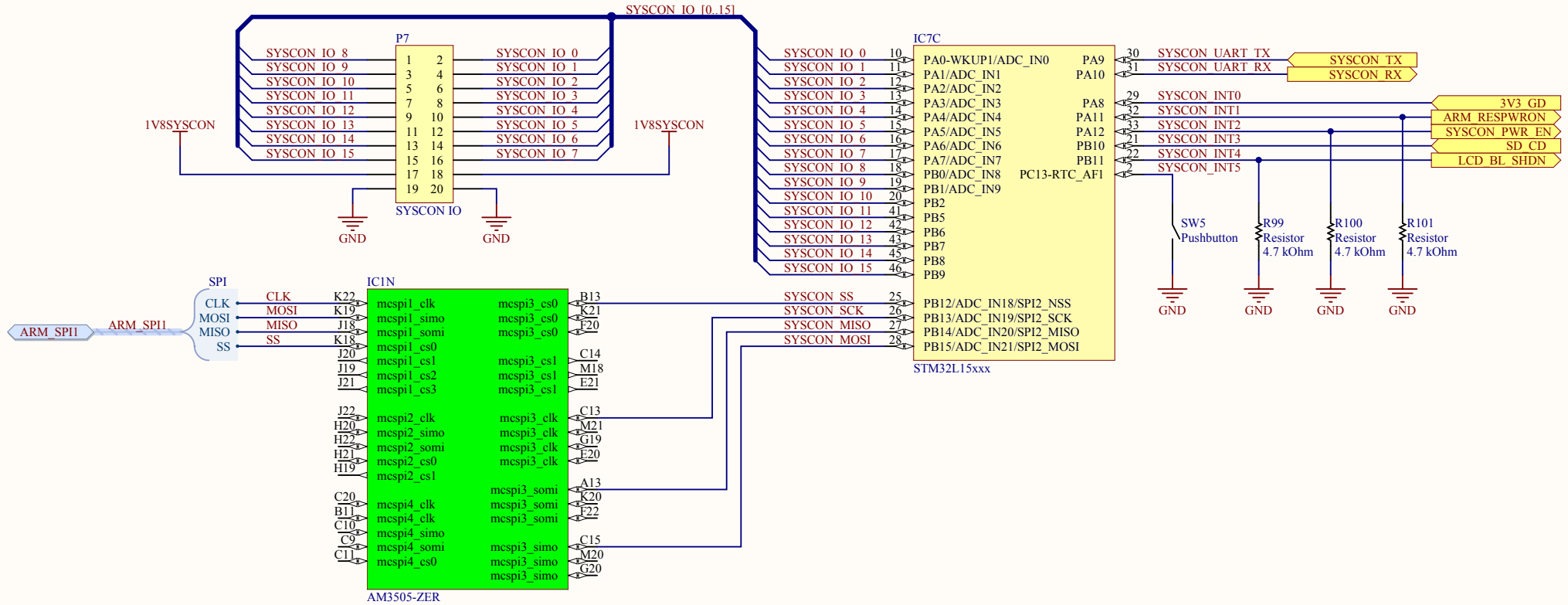
Title		
Size	Number	Revision
A4		
Date:	29.03.2012	Sheet of
File:	C:\Users\...\FPGA_Config.SchDoc	Drawn By:



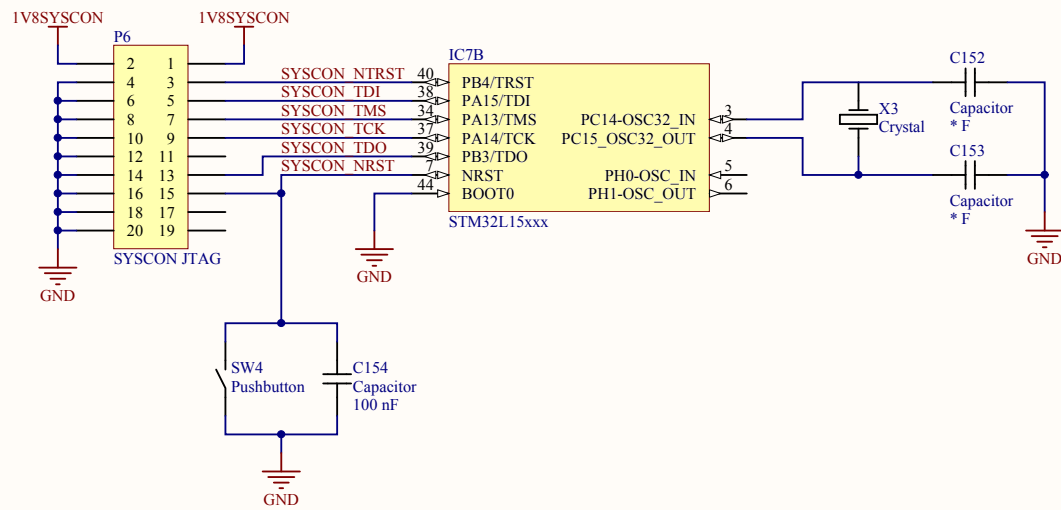
Title		
Size	Number	Revision
A4		
Date:	29.03.2012	Sheet of
File:	C:\Users\... \FPGA_DISP.SchDoc	Drawn By:



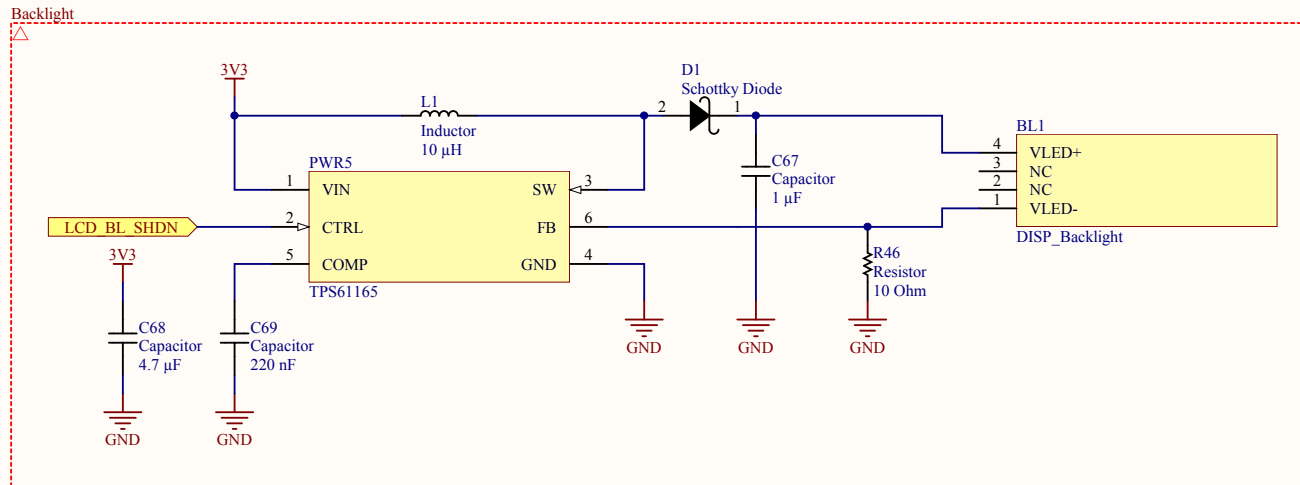
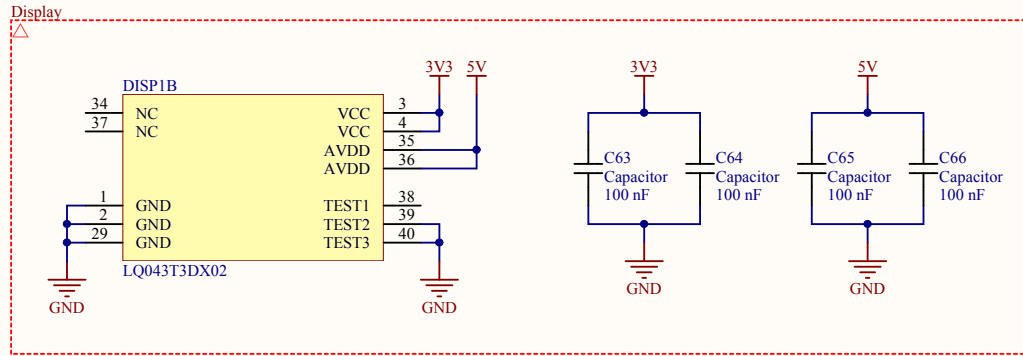
Title		
Size	Number	Revision
A4		
Date:	29.03.2012	Sheet of
File:	C:\Users\...\SYSCON_PWR.SchDoc	Drawn By:



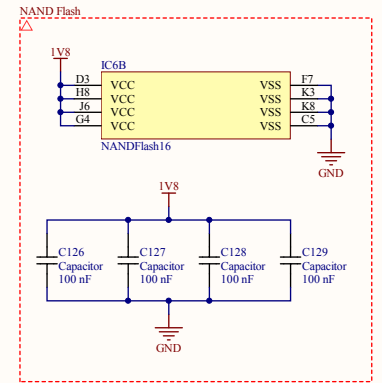
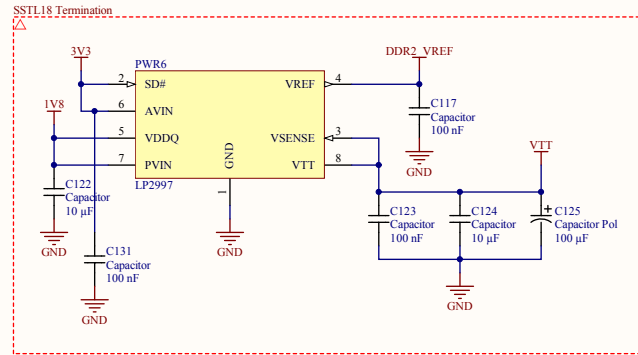
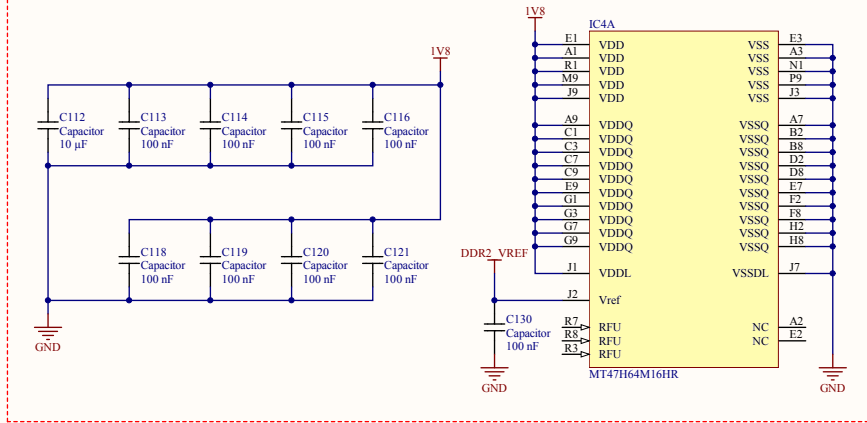
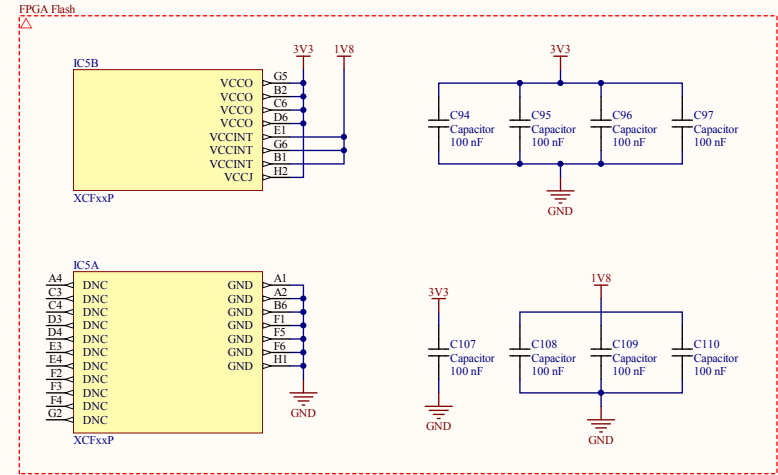
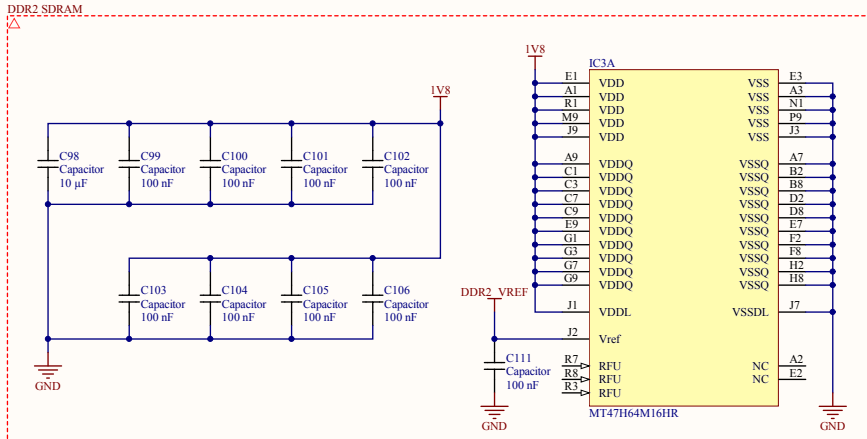
Title		
Size	Number	Revision
A4		
Date:	29.03.2012	Sheet of
File:	C:\Users\...\SYSCON IO.SchDoc	Drawn By:



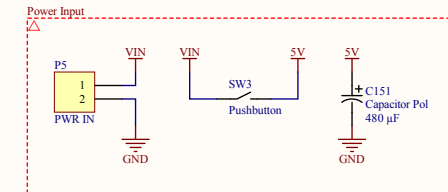
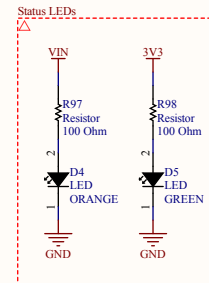
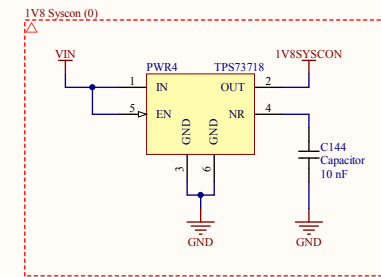
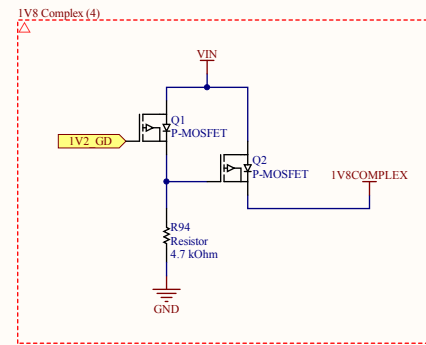
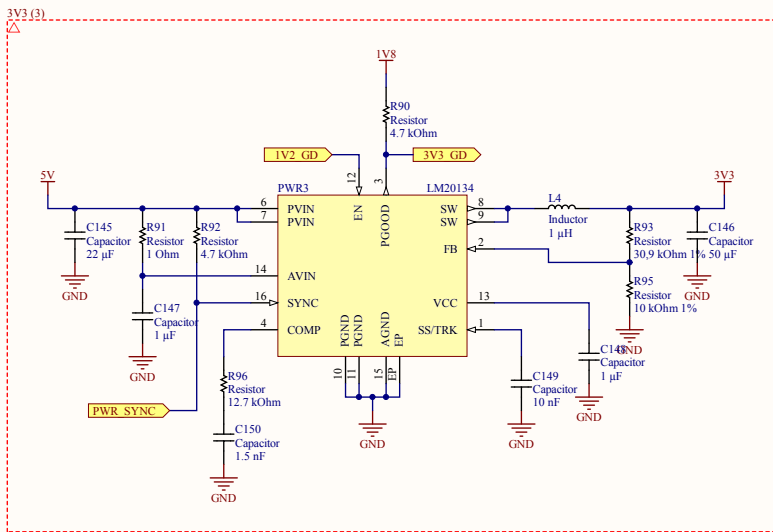
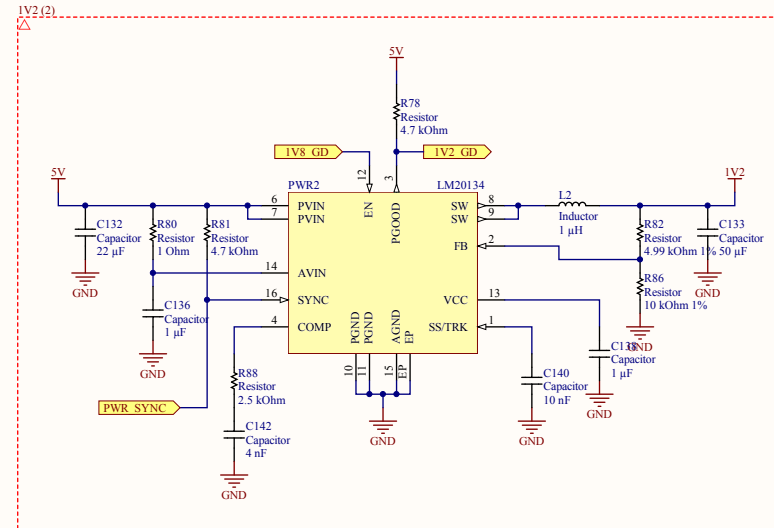
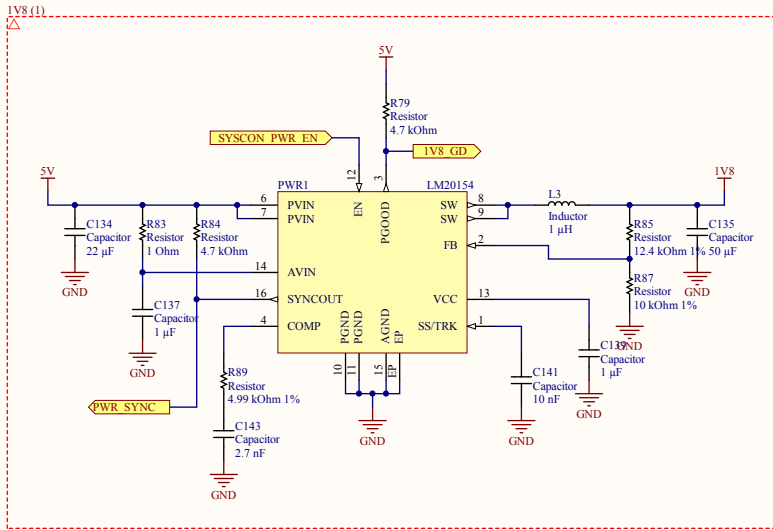
Title		
Size	Number	Revision
A4		
Date:	29.03.2012	Sheet of
File:	C:\Users\...\SYSCON Config.SchDoc	Drawn By:



Title		
Size	Number	Revision
A4		
Date:	29.03.2012	Sheet of
File:	C:\Users\...\DISP_PWR.SchDoc	Drawn By:



Title		
Size	Number	Revision
A3		
Date:	29.03.2012	Sheet of
File:	C:\Users\MEM\PWR_SchDoc	Drawn By:



Title		
Size	Number	Revision
A3		
Date:	29.03.2012	Sheet of
File:	C:\Users\...PWR_REG.SchDoc	Drawn By: