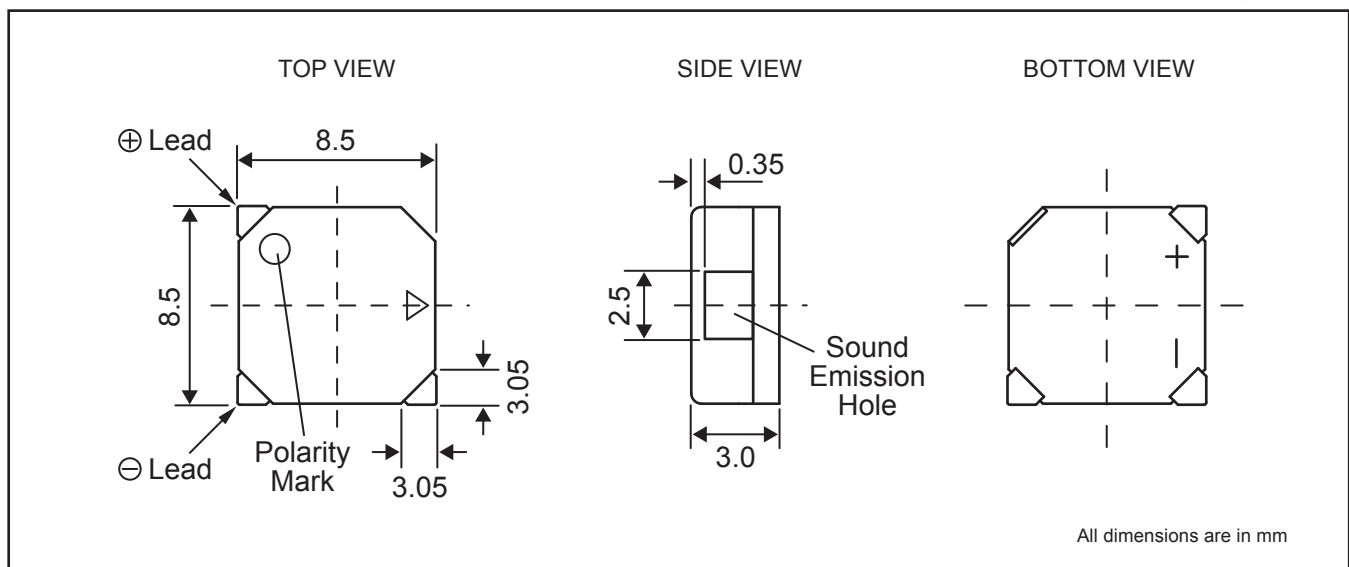


Magnetic Transducer

NMT-09AS series

DIMENSIONS

Date : 26 Nov, 2002



ELECTRICAL SPECIFICATIONS

Model No.	NMT-0903AS
Operating Voltage □ □ [V]	2 ~ 4
Rated Voltage □ □ [V]	3.6
* Max. Rated Current □ [mA]	80
Coil Resistance □ [ohm]	18 +/- 3
* Min. Sound Output □ [dBA/10cm]	87
Resonant Frequency □ [Hz]	2730
Operating Temperature □ [°C]	-30 ~ +85
Terminal	SMD
Housing Material	LCP
Colour	Black
Weight □ [gm]	1

* Value applying rated voltage [resonant frequency, 1/2 duty, square wave] and recommended circuit [HFE >200, min.2.5mA]