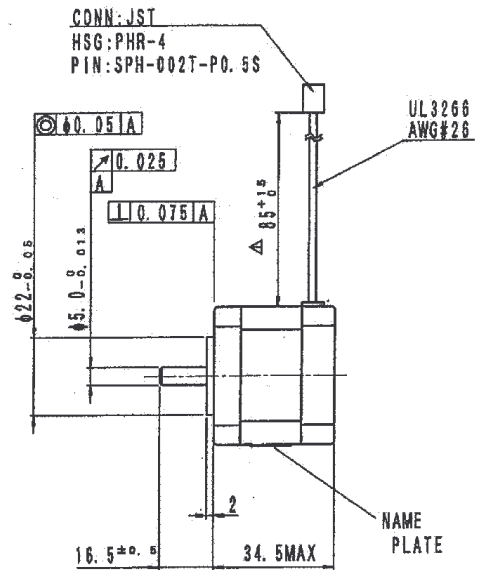
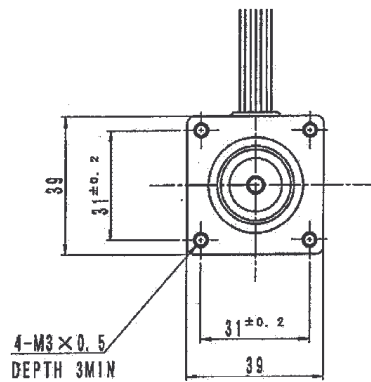
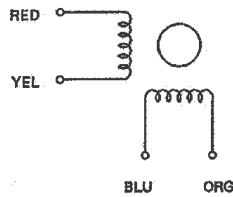
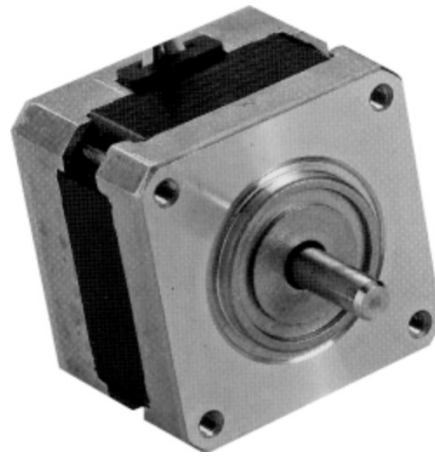


Schrittmotor SM 42051



| ITEM | SPECIFICATION |
|---------------------|----------------|
| RATED VOLTAGE | 4.2 V |
| RATED CURRENT | 0.6 A / Phase |
| MAX. INPUT | 5.0 W |
| STEP ANGLE | 1.8 ° |
| MAX. HOLDING TORQUE | 0.196 Nm |
| WINDING RESISTANCE | 7.0 Ohm ± 10 % |
| WINDING INDUCTANCE | 10.6 mH |
| TEMPERATUR RISE | 80 °C |
| WEIGHT | 220 g |