

D

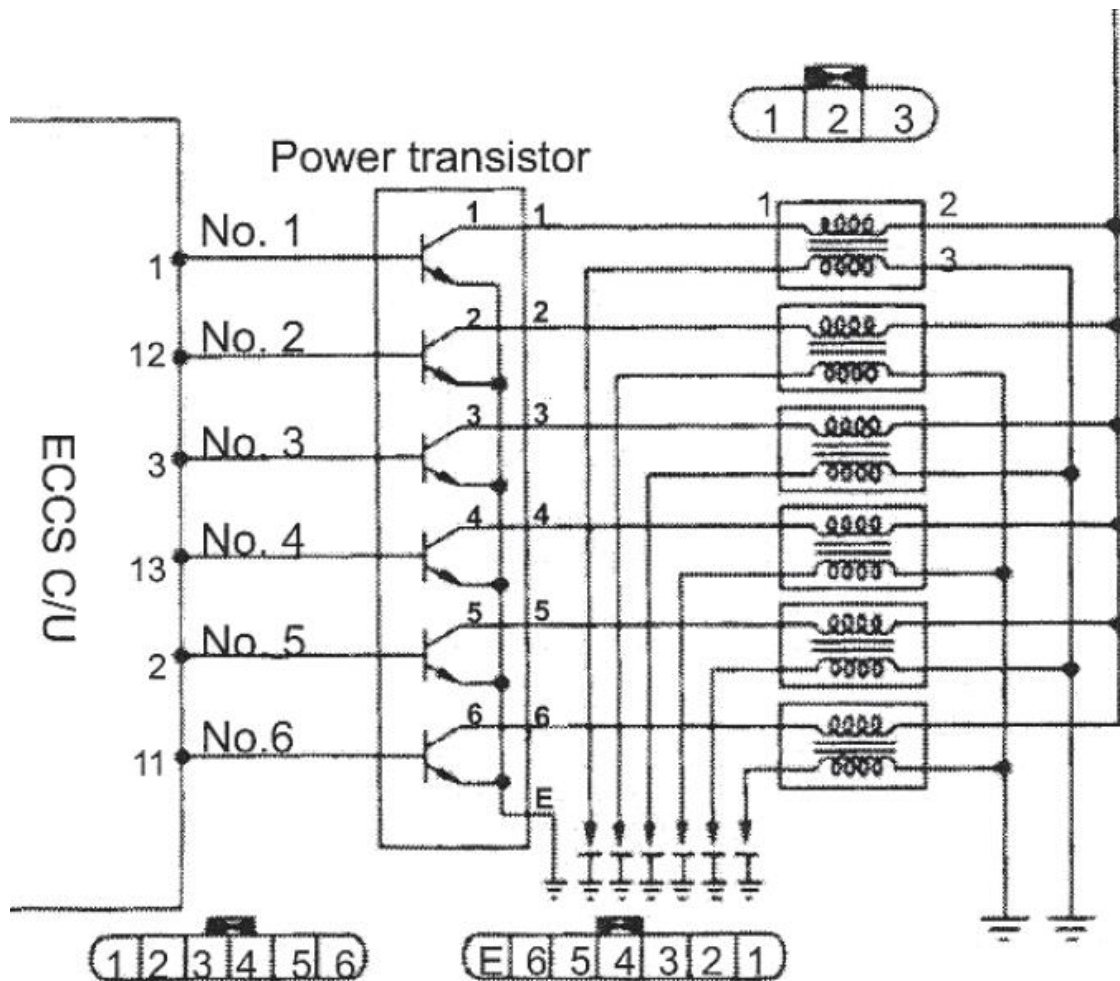
Output signal inspection

- Connect power transistor unit and ECCS C/U harness connectors.
- Check for power voltage between ECCS C/U terminals 1, 2, 3, 11, 12, 13 and body earth.

Cranking: Approx. 0.2 ~ 0.3V

Idling: Approx. 0.2 ~ 0.3V

2500rpm: Approx. 1V



D

Output signal inspection

- Connect power transistor unit and ECCS C/U harness connector.
- Check power voltage between ECCS C/U terminal 1, 2, 3, 11, 12 & 13 and body earth.

When cranking:	Approx. 0.05V
When idling:	Approx. 0.05V
At 2500rpm:	Approx. 0.1V

