

Switch Actuation Force .....610 ± 306 gf (8.47 ± 4.24 oz.-in.)

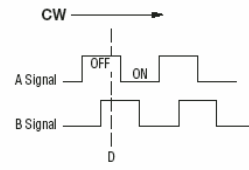
**How To Order**

PEC11 - 4 0 20 F - S 0012

- Model \_\_\_\_\_
- Terminal Configuration \_\_\_\_\_  
4 = PC Pin Horizontal/Rear Facing
- Detent Option \_\_\_\_\_  
0 = No Detents (12, 18, 24 pulses)  
1 = 18 Detents (18 pulses)  
2 = 24 Detents (12, 24 pulses)
- Standard Shaft Length \_\_\_\_\_  
15 = 15.0 mm  
20 = 20.0 mm  
25 = 25.0 mm  
30 = 30.0 mm
- Shaft Style \_\_\_\_\_  
F = Metal Flatted Shaft  
K = Metal Knurled Shaft\*
- Switch Configuration \_\_\_\_\_  
S = Push Momentary Switch  
N = No Switch
- Resolution \_\_\_\_\_  
0012 = 12 Pulses per 360° Rotation  
0018 = 18 Pulses per 360° Rotation  
0024 = 24 Pulses per 360° Rotation

\* Metal knurled shaft with no switch is available in 15, 20 and 30 mm shaft lengths.  
Metal knurled shaft with push momentary switch is available in 15 and 20 mm shaft lengths.

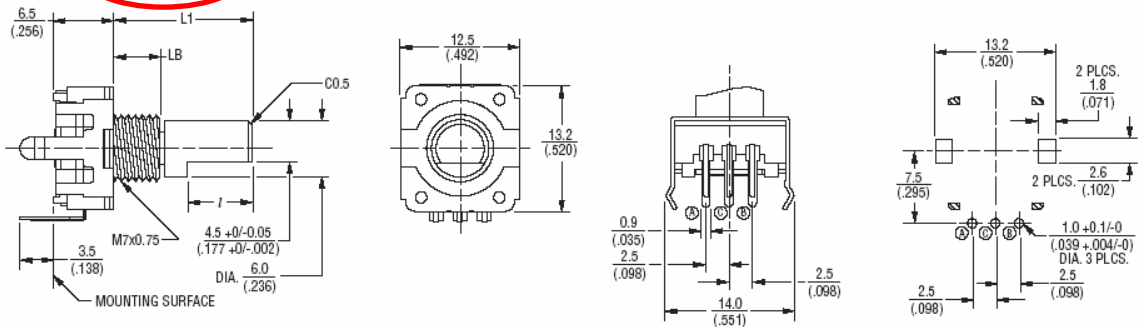
**Quadrature Output Table**



**N = No Switch**

\*RoHS Directive 2002/95/EC Jan 27 2003 including Annex  
Specifications are subject to change without notice.  
Customers should verify actual device performance in their specific applications.

**PEC11-4xxxF-Nxxxx**



**PEC11-4xxxF-Sxxxx**

