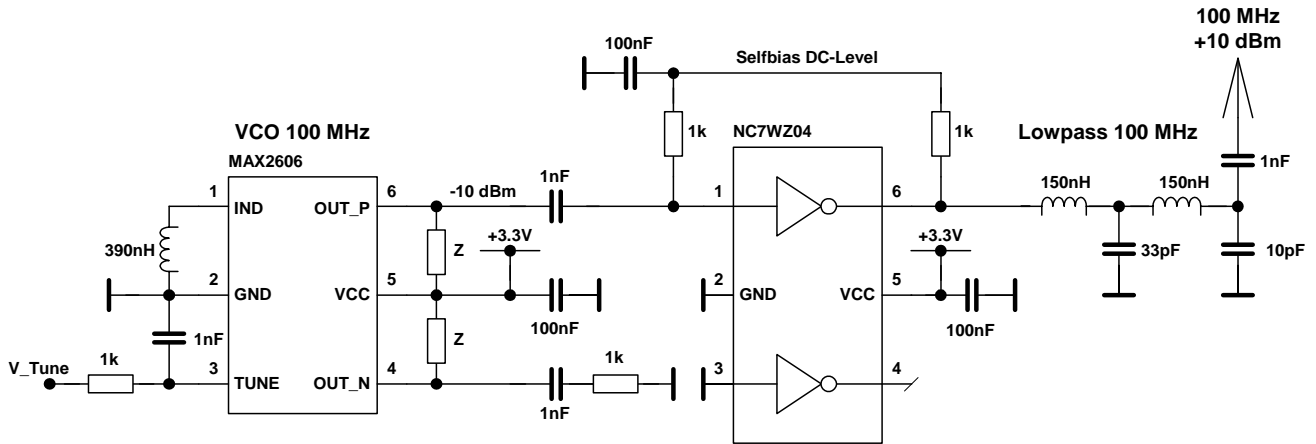


# Mini UKW-Transmitter (22.11.2006, psavr@gmx.ch)

## A) Asymmetrical Amplifier (about +10 dBm @ 3.3V)



## B) Symmetrical Amplifier (about +16 dBm @ 3.3V)

