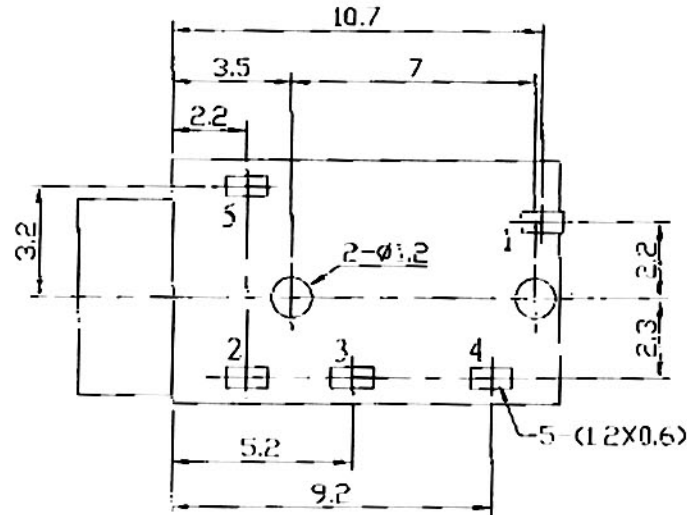
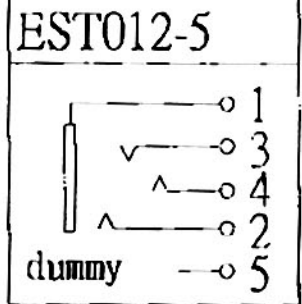
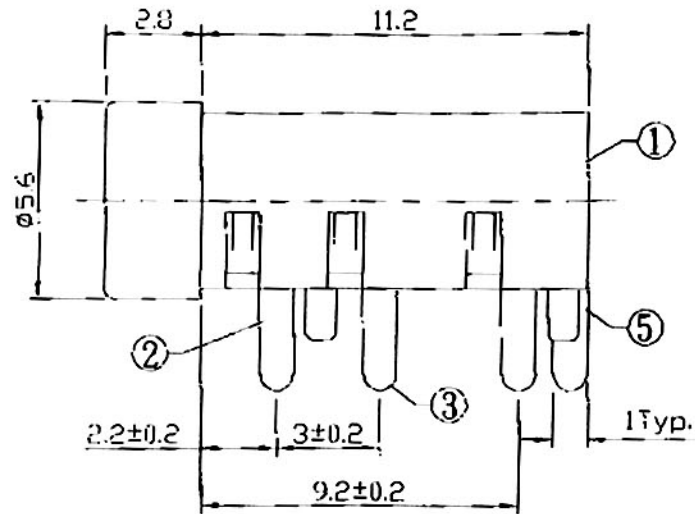
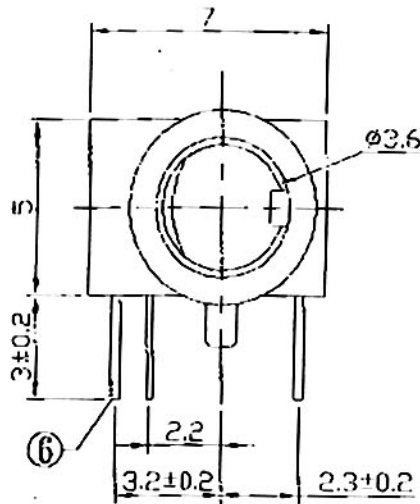


LTR	DESCRIPTION	* REVISIONS		
		DATE	REVISED	APPROVED



1:1.6 Dimensions of PC board holes
Tolerances: ±0.1 (Printed-top view)

UNLESS OTHERWISE SPECIFIED, TOLERANCE ON DECIMAL: ±0.3

6	DUMMY FOOT	1	BRASS	MB:Cu Ag PLATED
5	SPRING	1	PHOSPHOR BRONZE	MB:Cu Ag PLATED
4	CONTACT FOOT	1	PHOSPHOR BRONZE	MB:Cu Ag PLATED
3	CONTACT FOOT	1	PHOSPHOR BRONZE	MB:Cu Ag PLATED
2	CONTACT FOOT	1	PHOSPHOR BRONZE	MB:Cu Ag PLATED
1	HOUSING	1	PBT	
LTR	PART NAME	QTY	MATERIAL	REMARK
DSNY	JWSY	DATE	2002.11.13	NAME: MINIATURE JACK
DWN	JWSY	DATE	2002.11.13	
CHKD	JWSY	DATE	2002.11.13	CAT. NO. TS-47
APVD	JWSY	DATE	2002.11.13	
			UNIT: mm	DWN. NO.