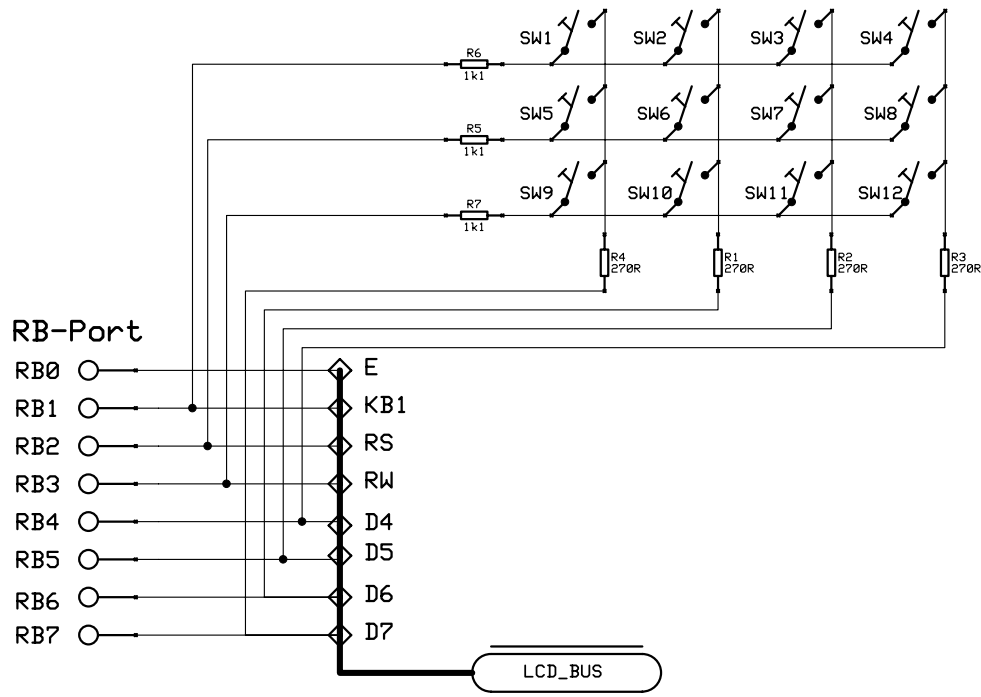


9	Design	Description	Included in	Machine
8				
7	Drawn		Release ECO	Release date
6				
5	Checked		Replaces	Design rev.
4				
3			Drawing no.	Page
2				
1				

LCD-Keybaord Interface



RB0-RB2 set to Output during polling the keypad
 RB4-RB7 set to Input during polling the keypad

9	Design	Description	Included in	Machine
8				
7	Drawn		Release ECO	Release date
6				
5	Checked		Replaces	Design rev.
4				
3			Drawing no.	Page
2				
1				