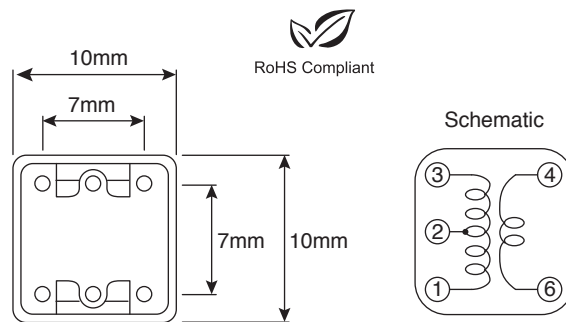
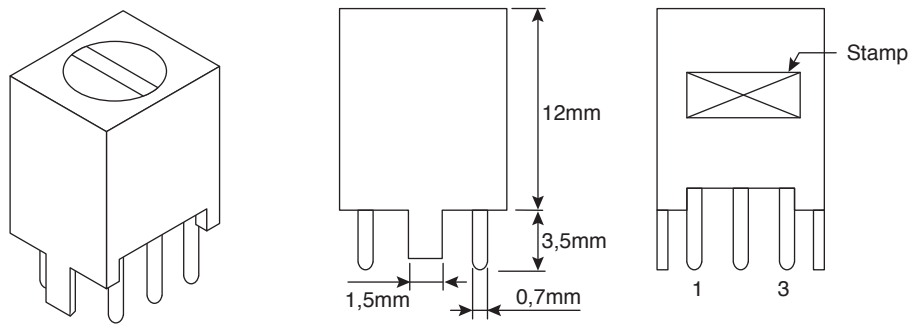


IF Transformers



■ SPECIFICATIONS

- Type: Sub-miniature
- Mounting: PC
- RoHS Compliant

	Application (Typical) (IF)	Impedance		Unload Q Value	Tuning Capacitance	Inductance	Turns			Cap Color
		Pri.	Sec.				(1-2)	(2-3)	(4-6)	
Center Frequency: 455KHz $\pm 3\%$										
455-1/10	1st	60K Ω	600 Ω	80 $\pm 20\%$	180PF	680 μ H	70	87	7	Yel
455-3/10	3rd	20K Ω	6K Ω	75 $\pm 20\%$	180PF	680 μ H	103	50	27	Black