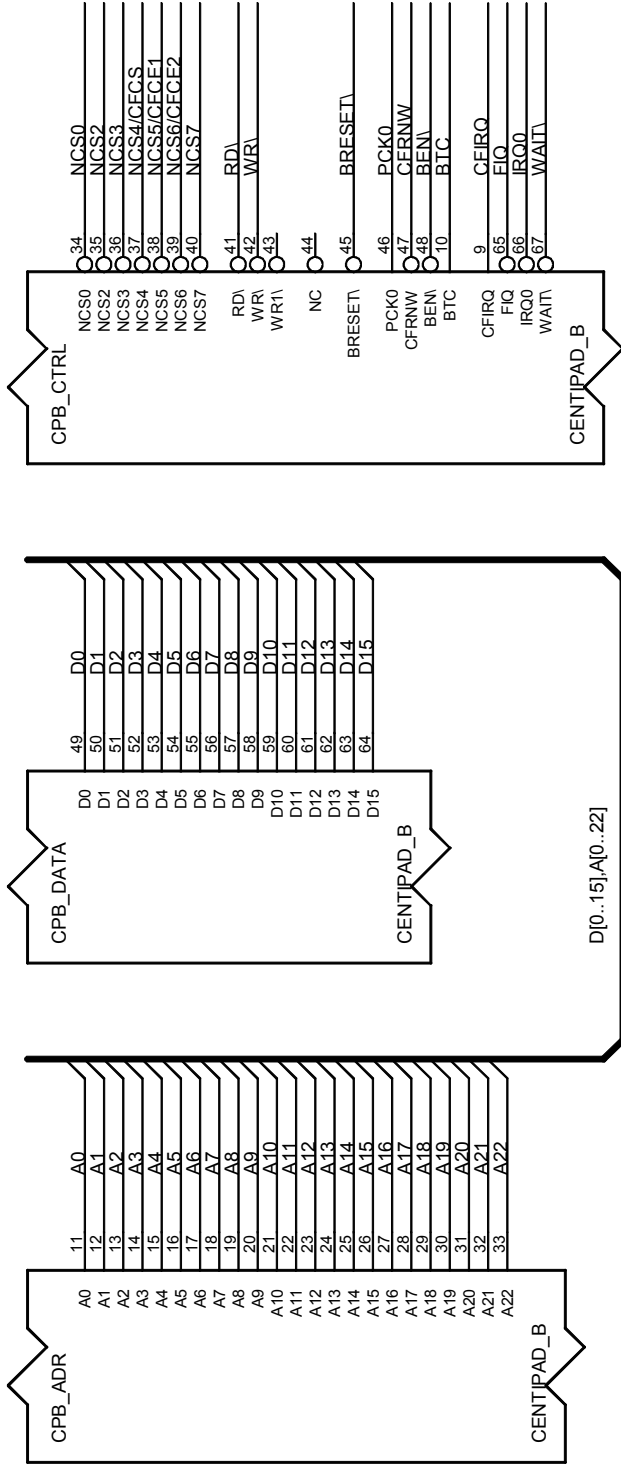
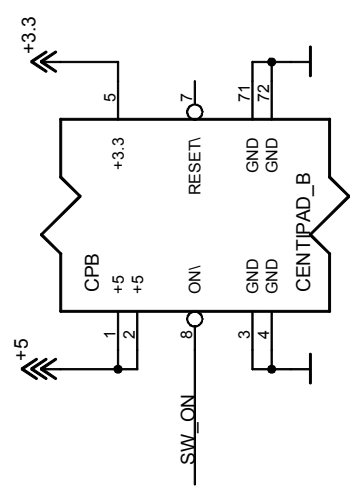


Busses



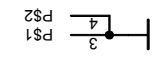
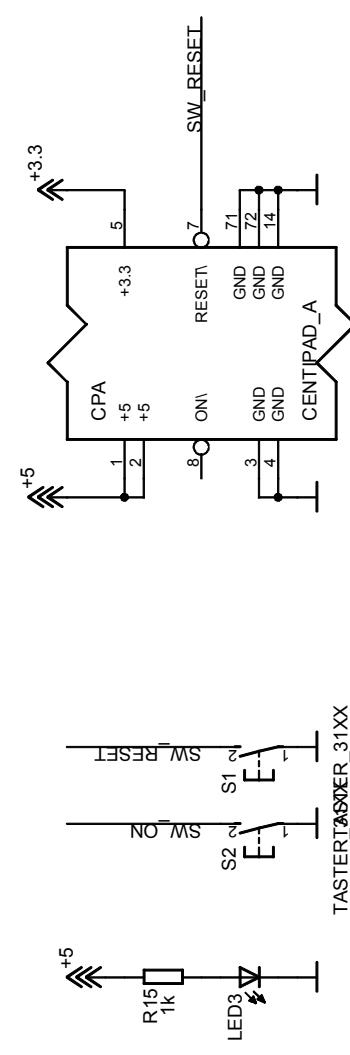
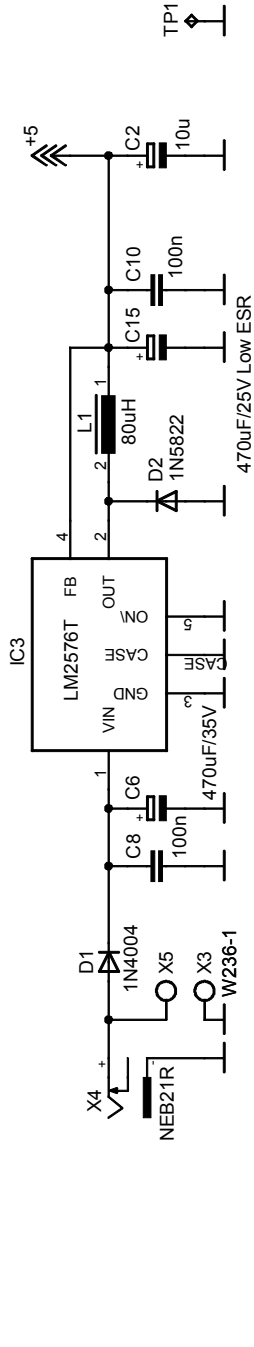
D[0..15]A[0..22]



HAREROD
 Marcus Hasenstab
 info@harerod.de

CentiBOB		CPU	
TITLE: CentiBOB201psk	REV: V1.1		
Date: 29.06.2007 10:22:16	Sheet: 1/6		

Power Supply

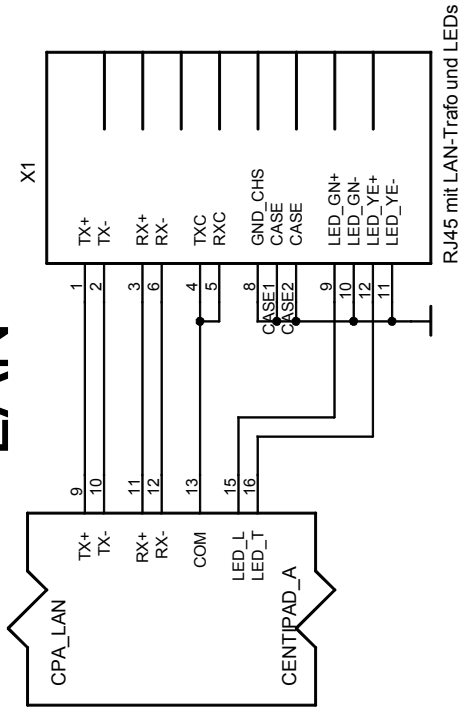


HAREROD
 Marcus Hasenstab
 info@harerod.de

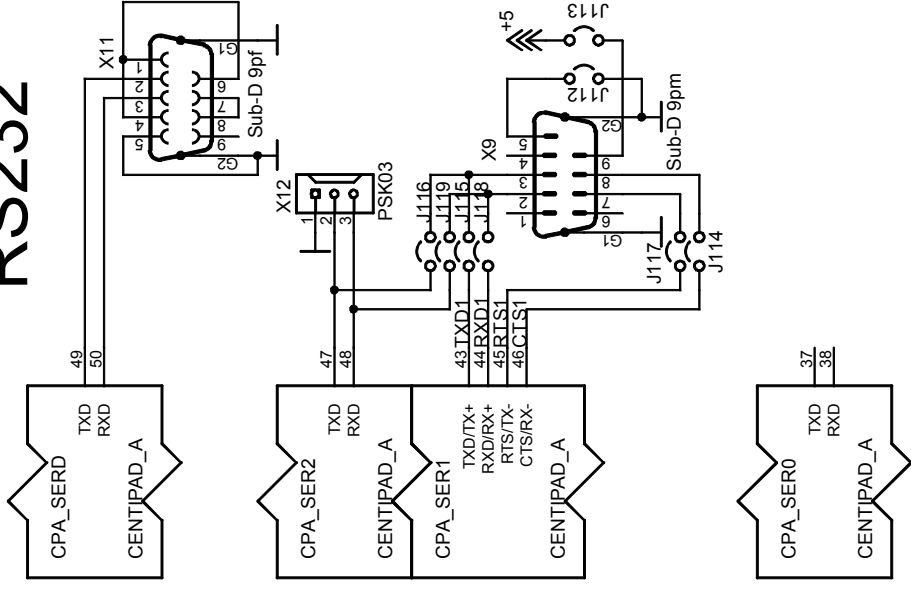
CentiBOB		CPU	
TITLE: CentiBOB201psk	REV: V1.1		
Date: 29.06.2007 10:22:16	Sheet: 2/6		



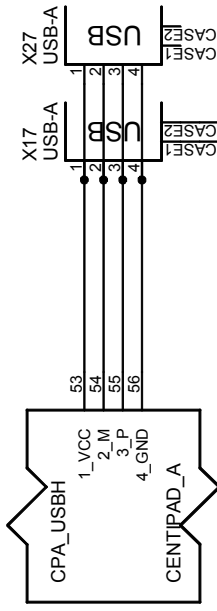
LAN



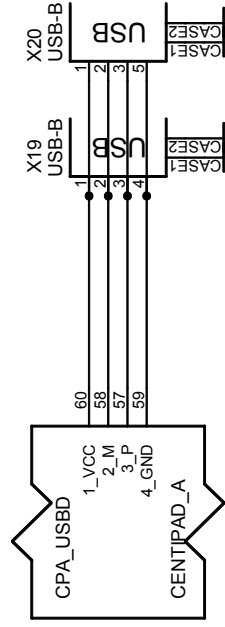
RS232



USB Host



USB Device

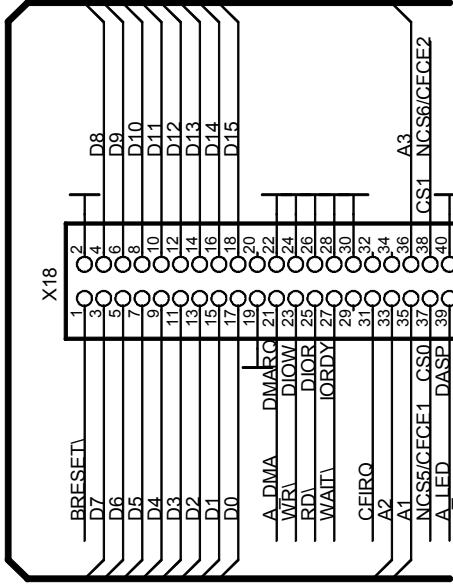


HAREROD
 Marcus Hasenstab
 info@harerod.de

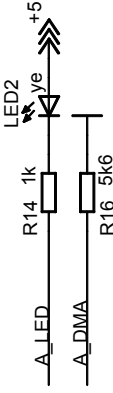
CentiBOB		CPU	
TITLE: CentiBOB201psk	REV: V1.1		
Date: 29.06.2007 10:22:16	Sheet: 3/6		

ATA 40p

D[0..15]A[0..22]

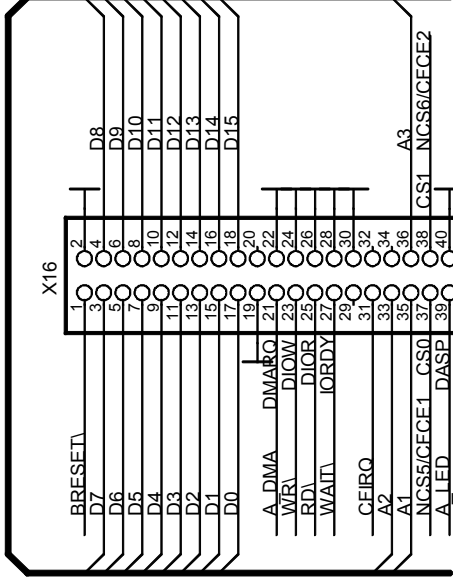


Pfosten 2x20 2.54mm

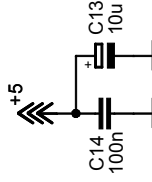


ATA 44p

D[0..15]A[0..22]

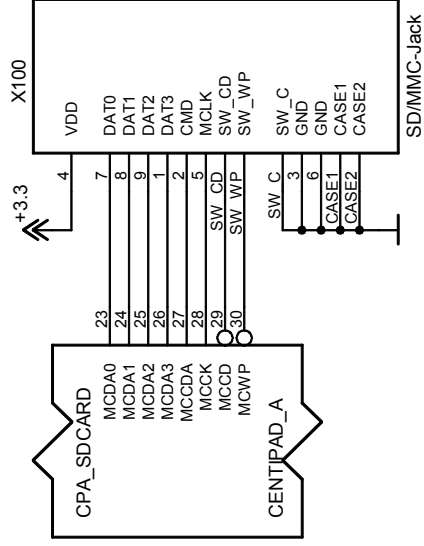
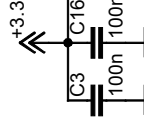
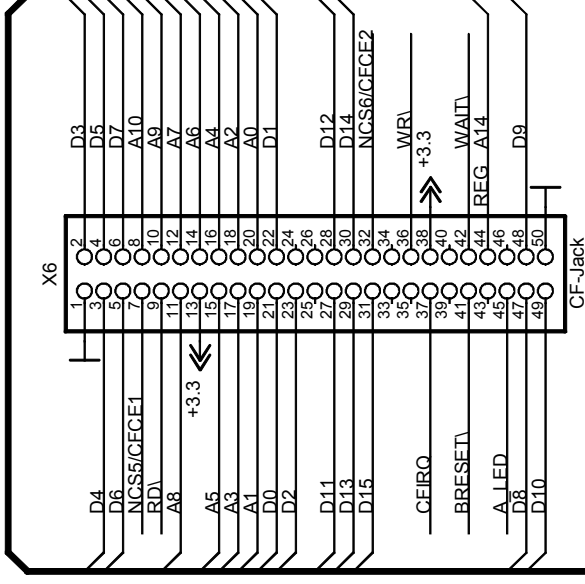


Pfosten 2x22p 2mm



Compact Flash

D[0..15]A[0..22]



SD/MMC-Jack

SD / MMC

CentiBOB

TITLE: CentiBOB201psk

Date: 29.06.2007 10:22:16

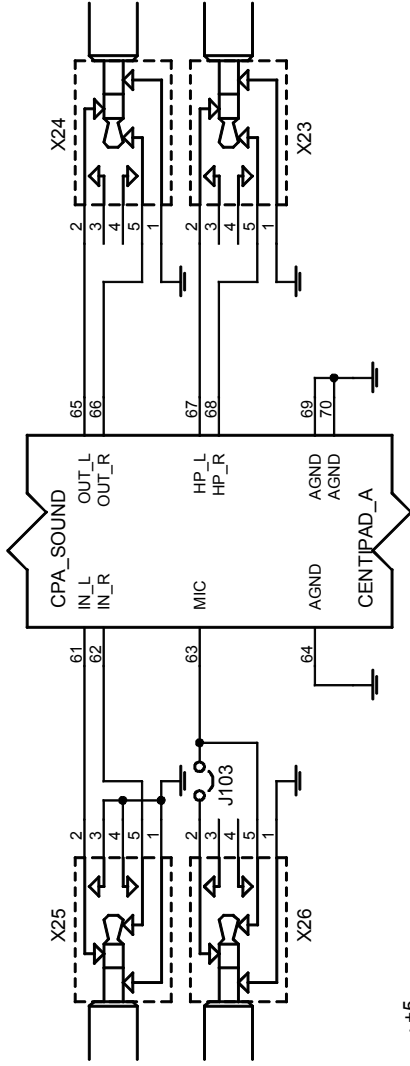
CPU

HAREROD
 Marcus Hasenstab
 info@harerod.de

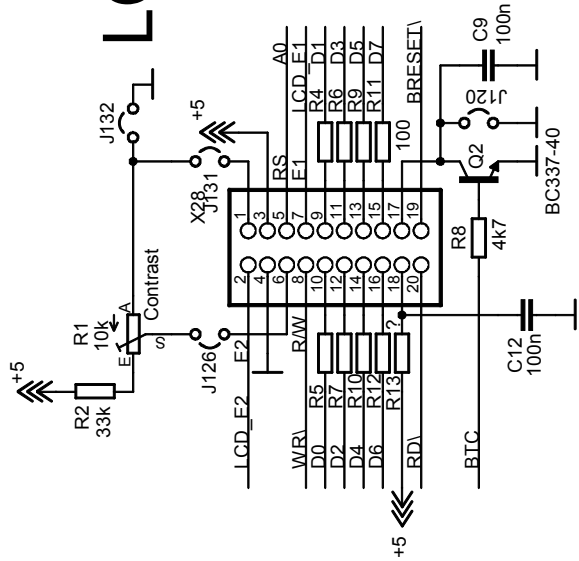
REV: V1.1

Sheet: 4/6

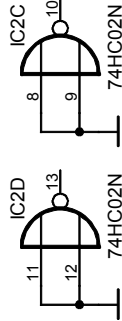
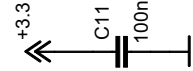
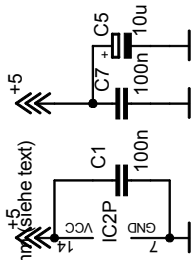
Sound



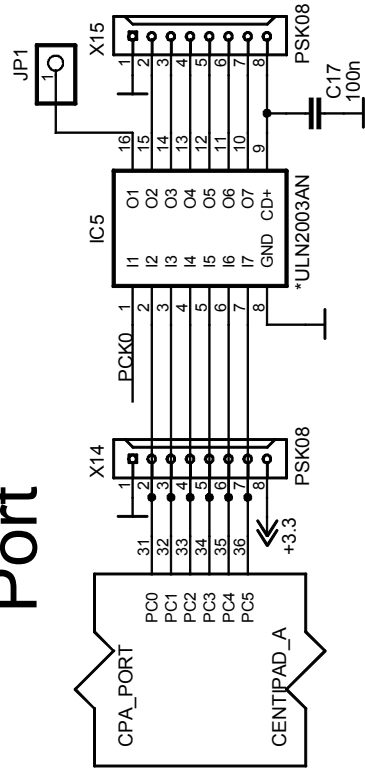
LCD



Pfosten 2x10p 2.54mm (siehe text)



Port



HAREROD
 Marcus Hasenstab
 info@harerod.de

CentiBOB

CPU

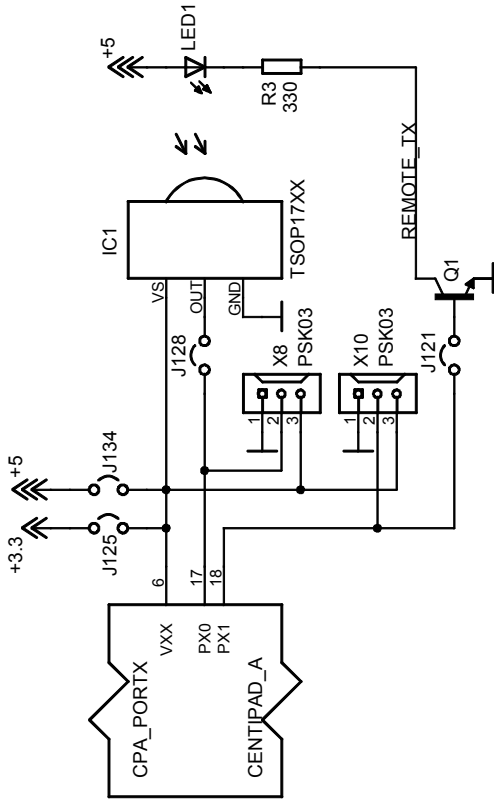
TITLE: CentiBOB201psk

REV: V1.1

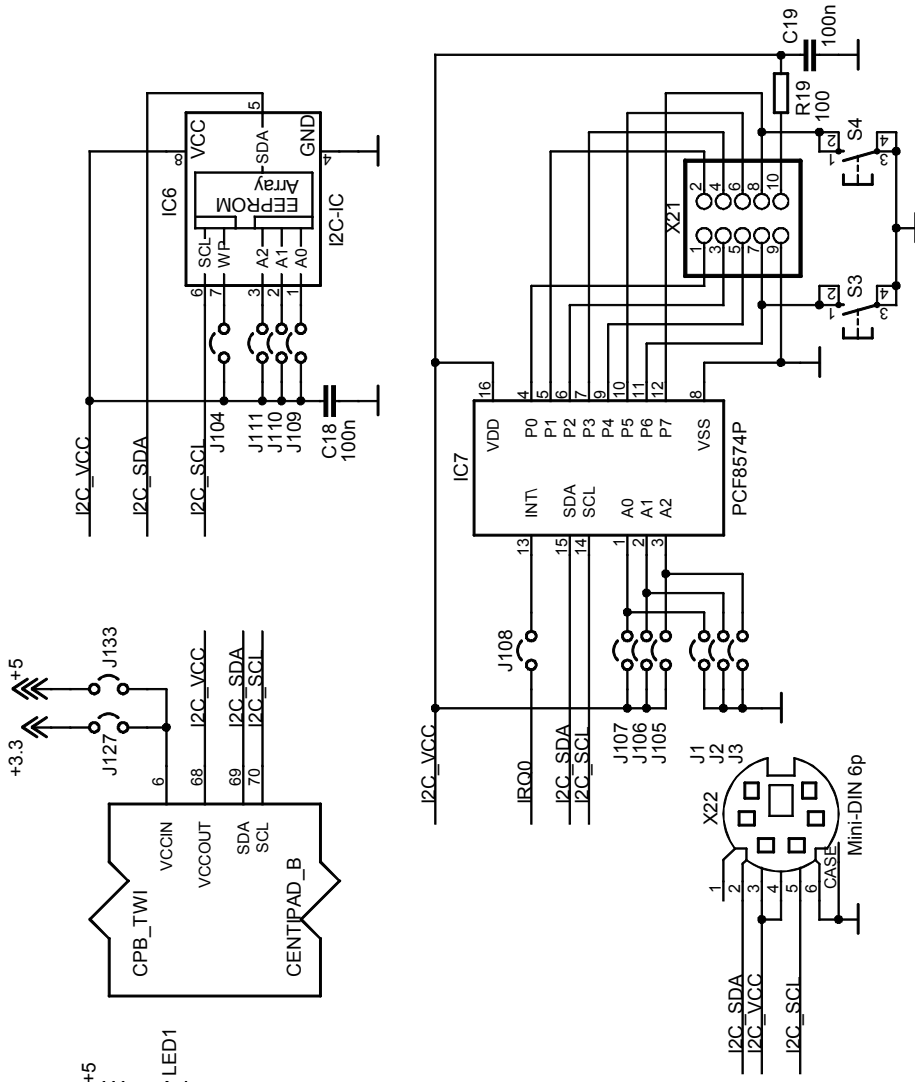
Date: 29.06.2007 10:22:16

Sheet: 5/6

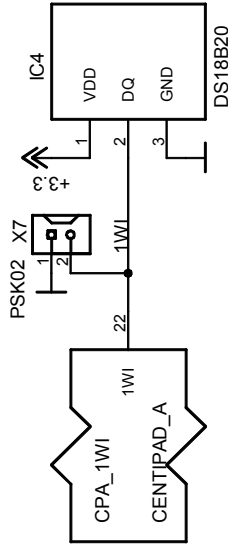
IR-Remote



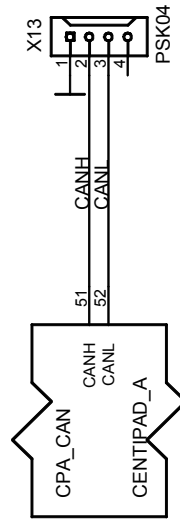
I²C



1-Wire-Interface



CAN



HAREROD
 Marcus Hasenstab
 info@harerod.de

CentiBOB

CPU

1-Wire is a registered trademark of Dallas Semiconductor.
 I2C is a trademark of Philips Semiconductors Corporation

TITLE: CentiBOB201psk

REV: V1.1

Date: 29.06.2007 10:22:16

Sheet: 6/6