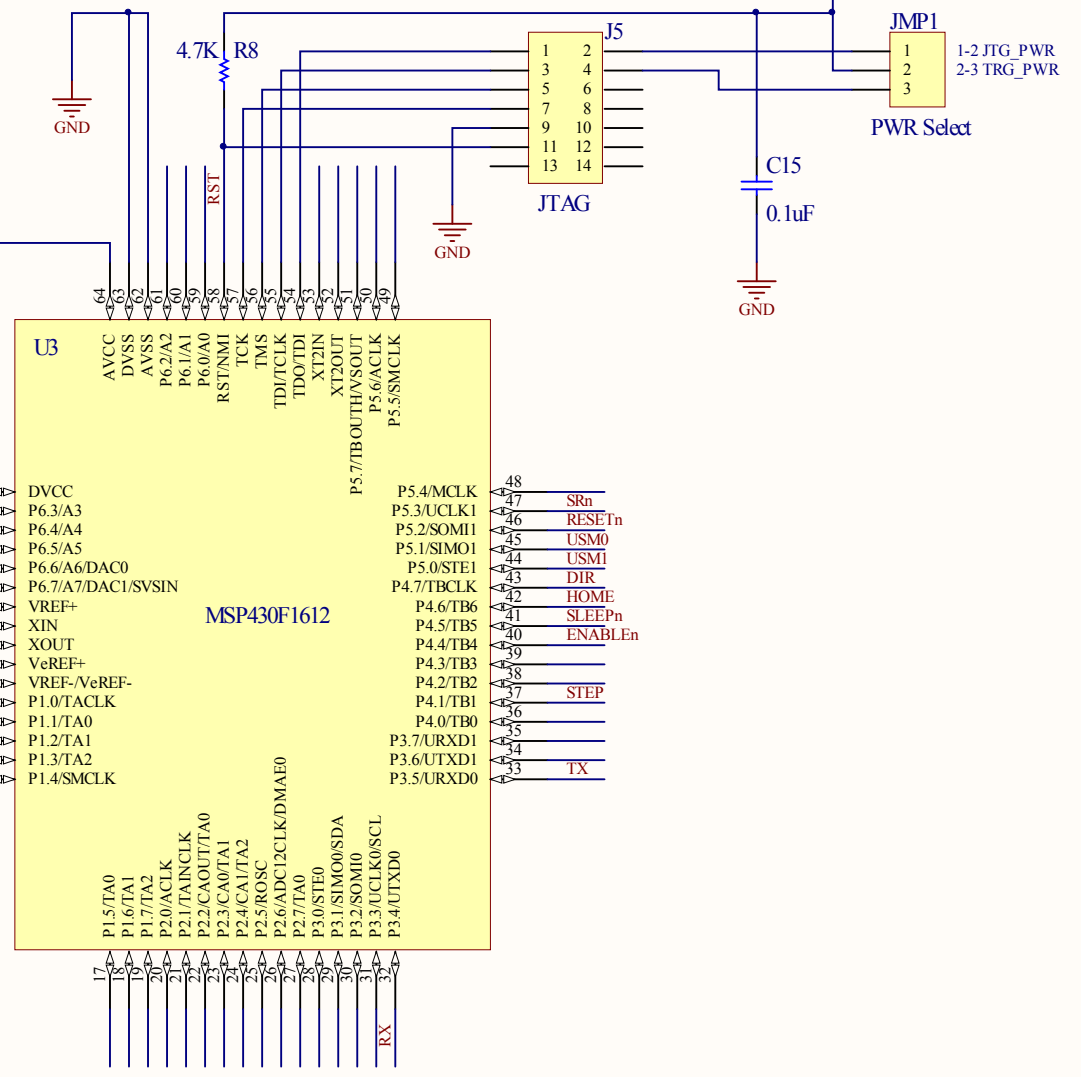
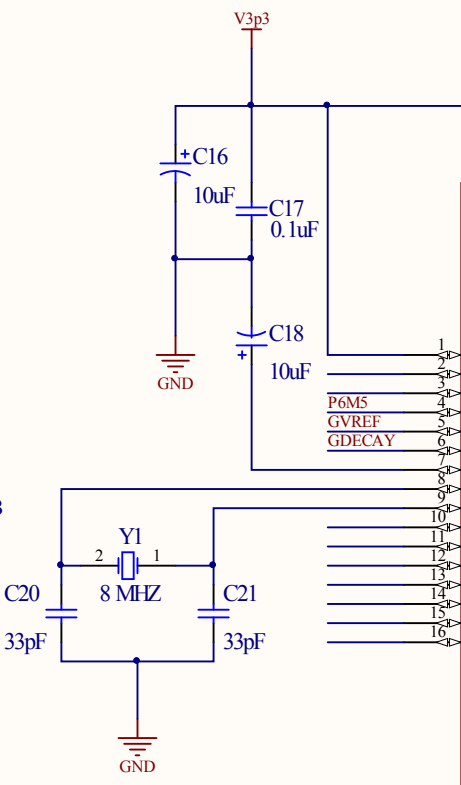
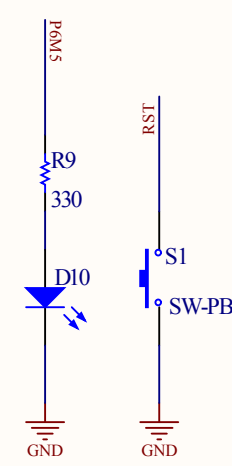
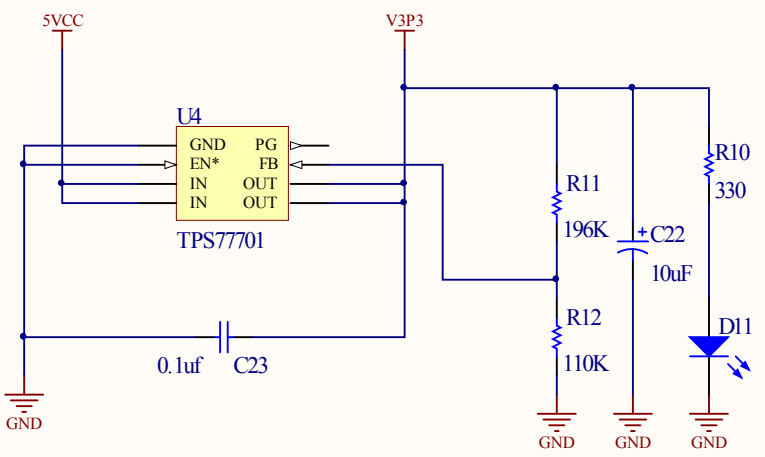
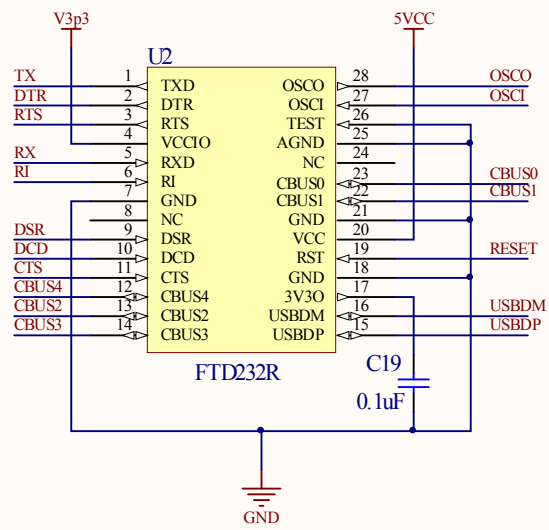
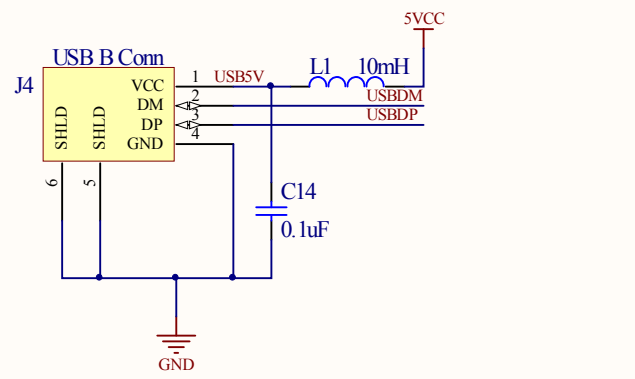


DRV8811EVM-001
 Input Voltage VCC: 5V
 Input Voltage VDD: 3.3V to 5V
 Input Voltage VM: 8V to 38V

DRV8811EVM-001 Single Micro-Stepping Motor Driver

Size B	FCSM No.	DWG No. CPG001	Rev A
Scale	Sheet 2 of 2		

Texas Instruments



DRV8811EVM-001
 Input Voltage VCC: 5V
 Input Voltage VDD: 3.3V to 5V
 Input Voltage VM: 8V to 38V

Texas Instruments

DRV8811EVM-001 Single Micro-Stepping Motor Driver

Size B	FCSM No.	DWG No. CPG001	Rev A
Scale	Sheet 1 of 2		