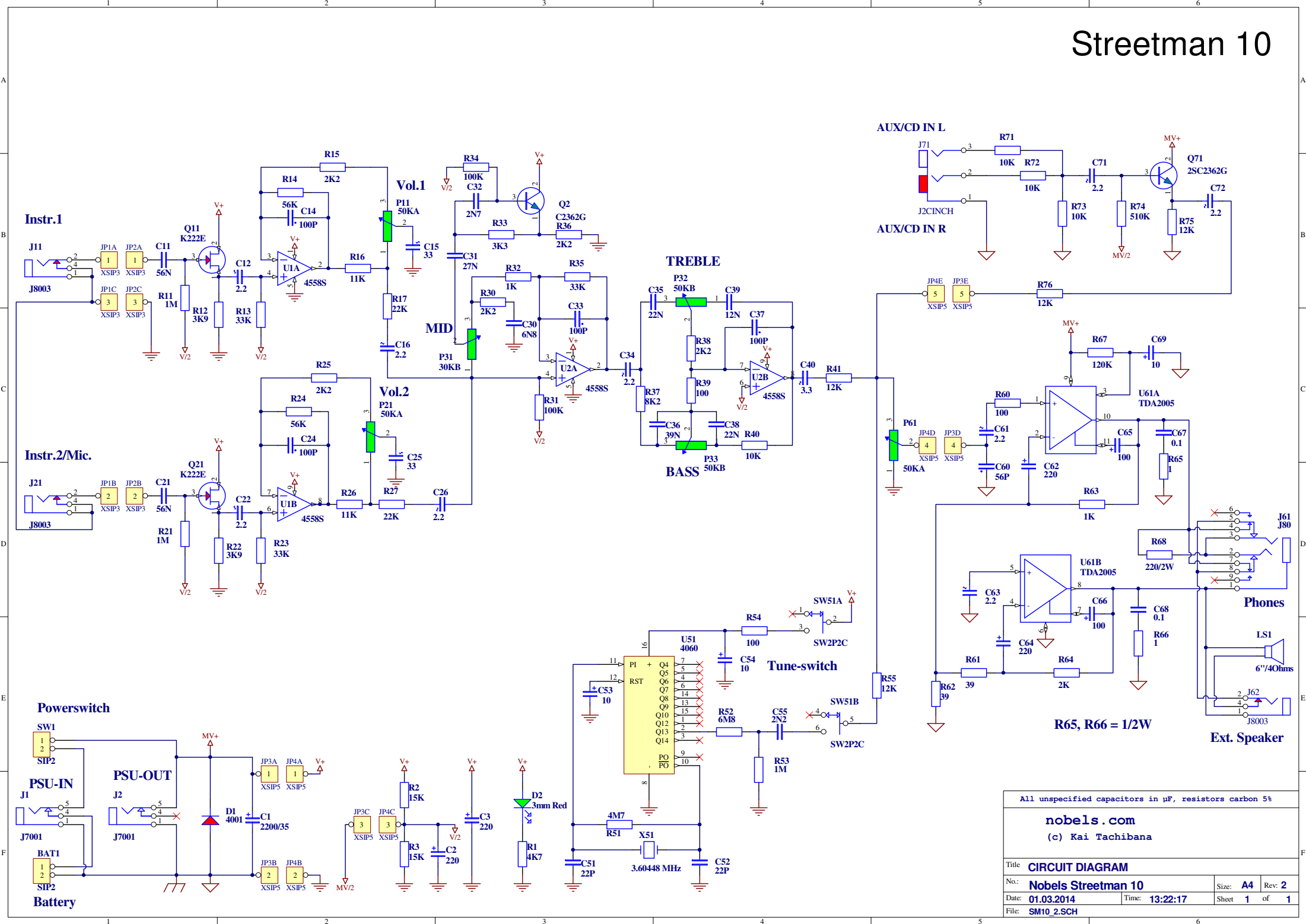


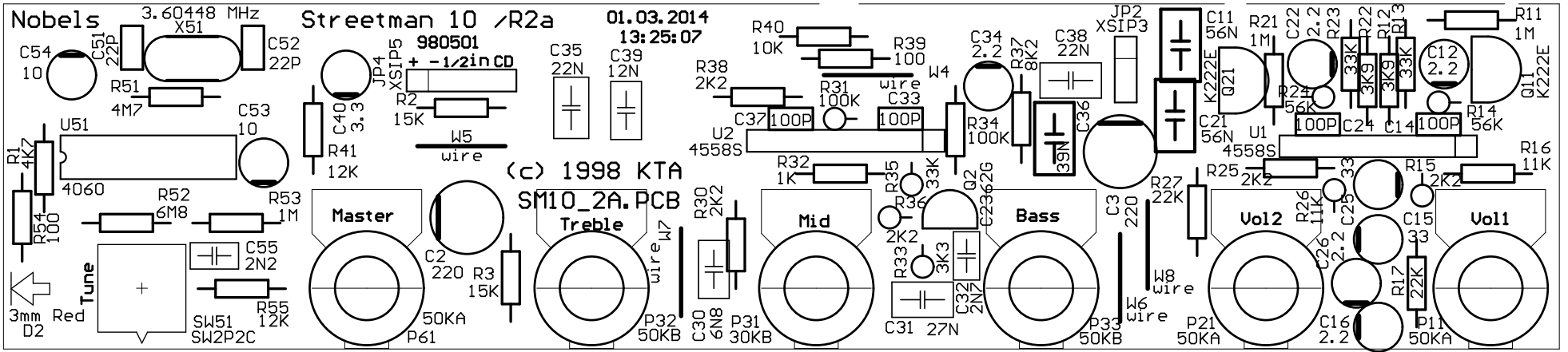
# Streetman 10



All unspecified capacitors in  $\mu\text{F}$ , resistors carbon 5%

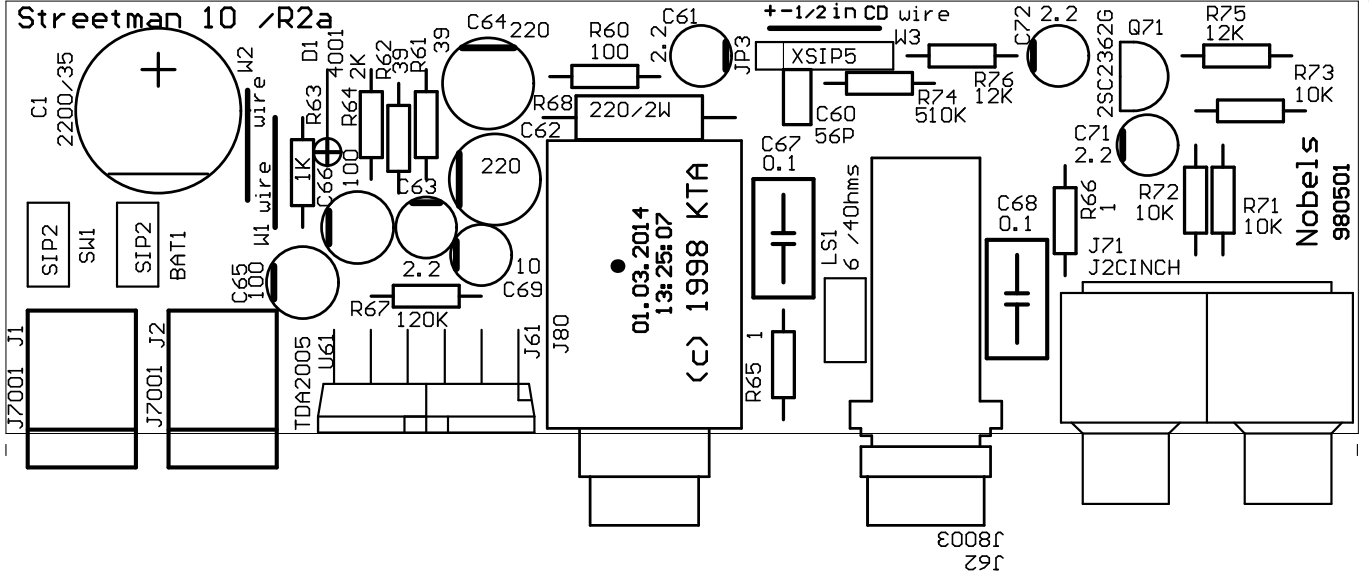
**nobels.com**  
(c) Kai Tachibana

Title: <b>CIRCUIT DIAGRAM</b>		No.: <b>Nobels Streetman 10</b>		Size: <b>A4</b>	Rev: <b>2</b>
Date: <b>01.03.2014</b>	Time: <b>13:22:17</b>	Sheet <b>1</b>	of <b>1</b>		
File: <b>SM10_2.SCH</b>					



Nobels Streetman 10 /R2a 980501/346 Holes/130 Components SM10\_2A.PCB

Nobels Streetman 10 /R2a



Nobels Streetman 10 /R2a

