
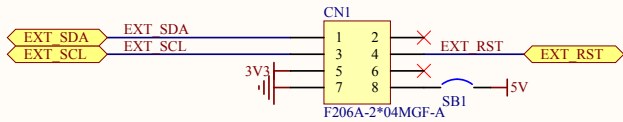
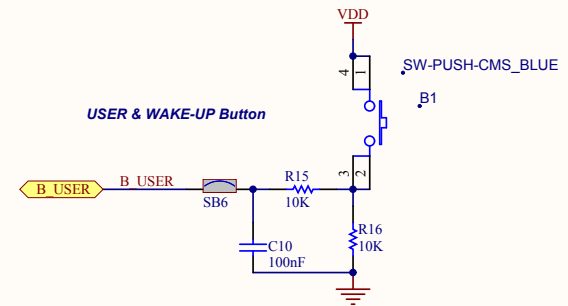
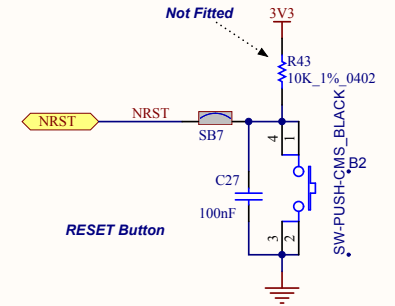
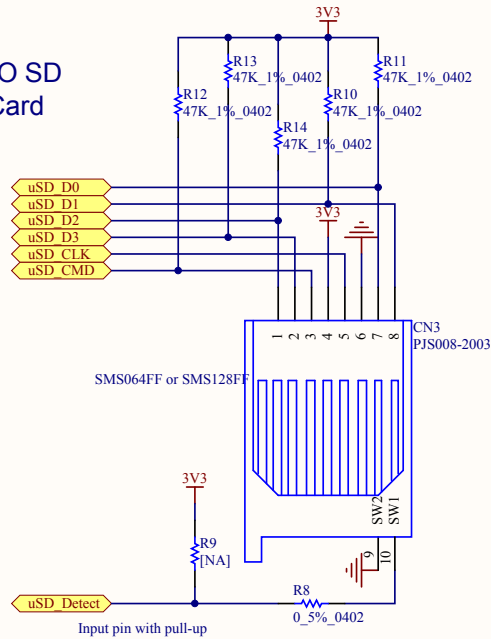


Title: ST-LINK/V2-1 with support of SWD only		 life.augmented
Project: STM32F746G-DISCO		
Size: A4	Reference: MB1191	
Date: 3/3/2015	Revision: A-01	
Sheet: 2 of 13		

EXT/RF E2P Connector

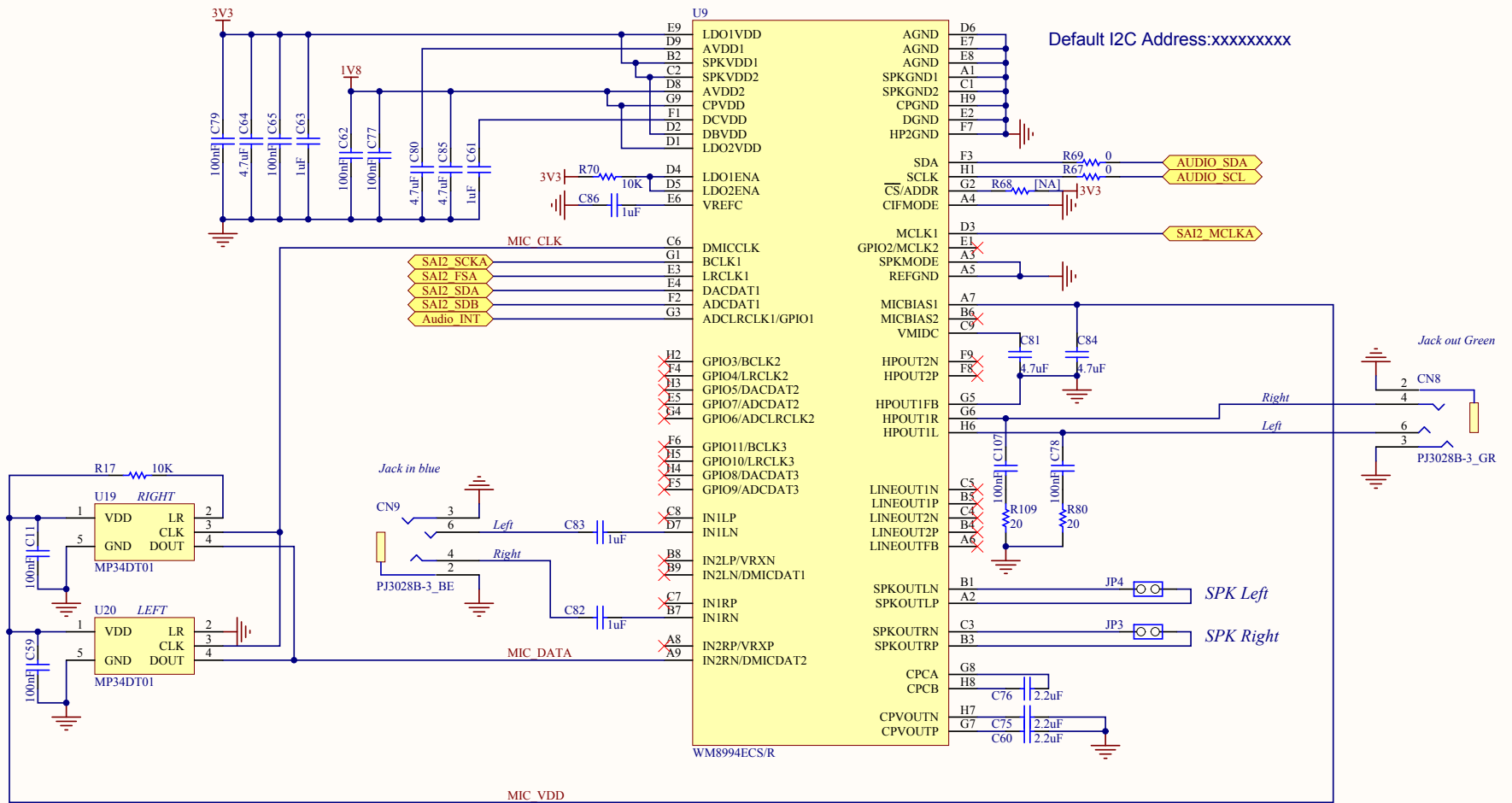


MICRO SD (TF) Card

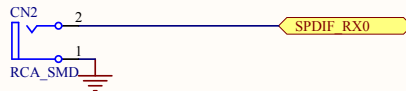



Title: Joystick, ACP, LEDs and Push Button		
Project: STM32F746G-DISCO		
Size: A4	Reference: MB1191	Revision: A-01
Date: 3/3/2015	Sheet: 3 of 13	



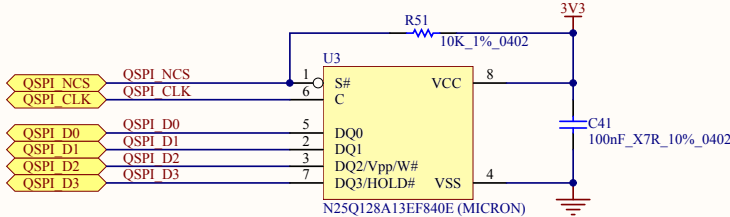


RCA in Yellow for SPDIF input



Title: Audio Codec WOLFSON and connectors			 life.augmented
Project: STM32F746G-DISCO			
Size: A4	Reference: MB1191	Revision: A-01	
Date: 3/3/2015	Sheet: 4 of 13		

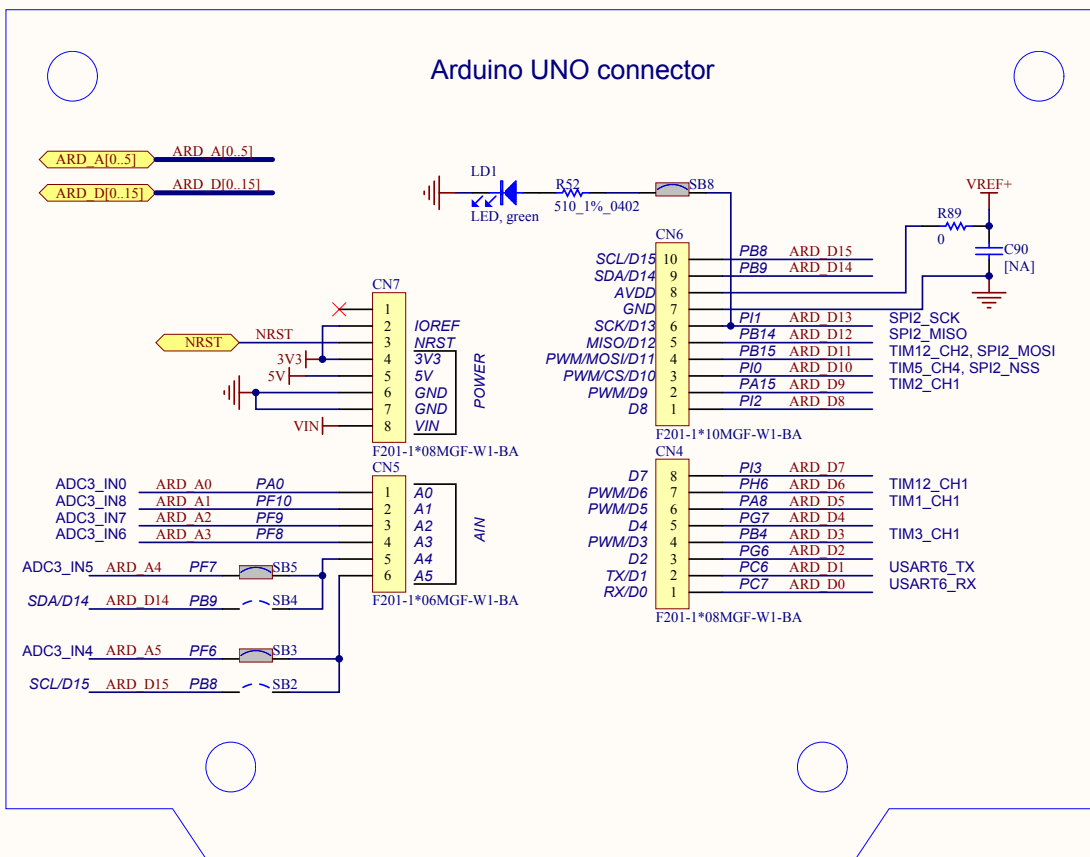
Quad SPI Flash Memory



Title: Quad SPI Flash Memory (MICRON)		
Project: STM32F746G-DISCO		
Size: A4	Reference: MB1191	Revision: A-01
Date: 3/3/2015	Sheet: 5 of 13	

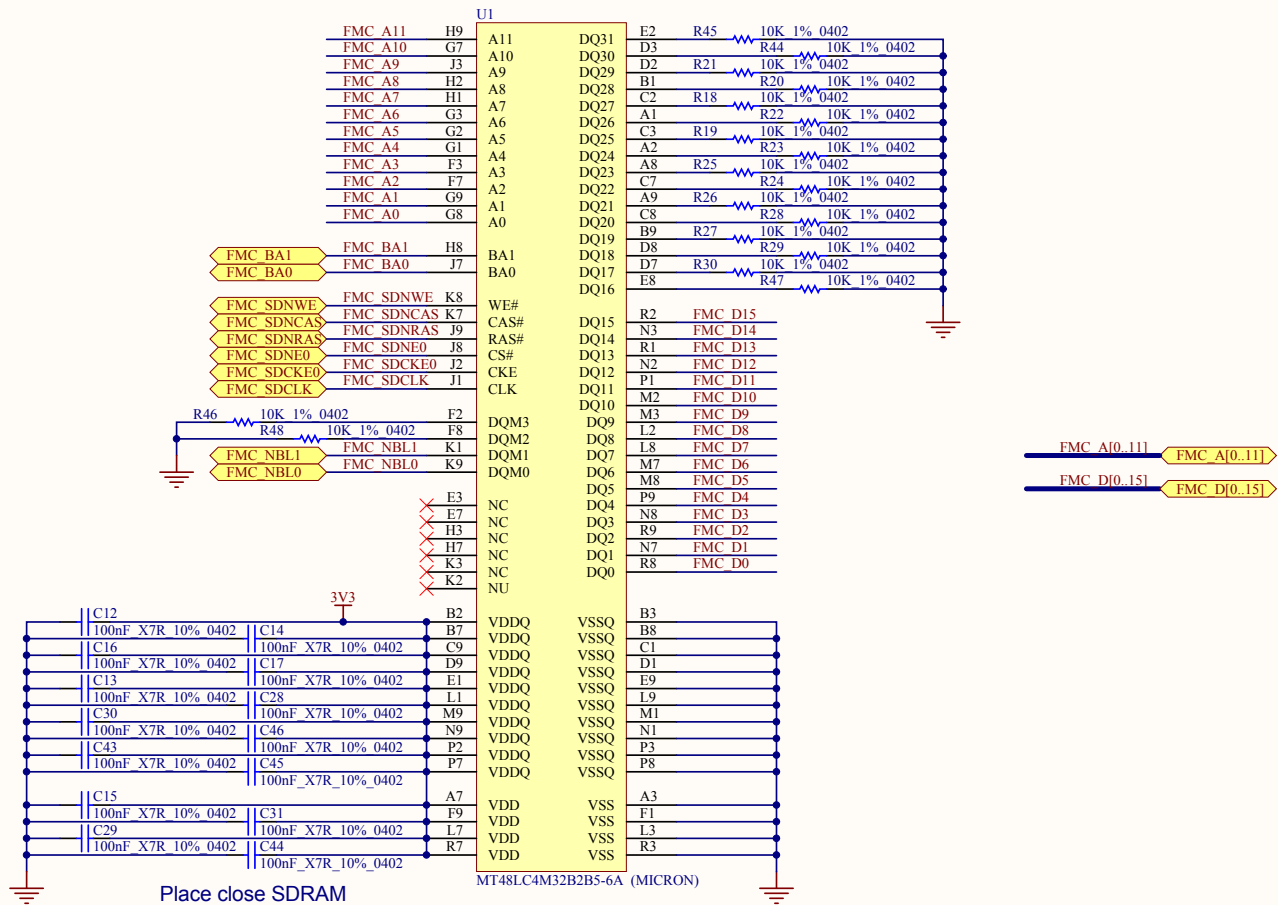


Arduino UNO connector



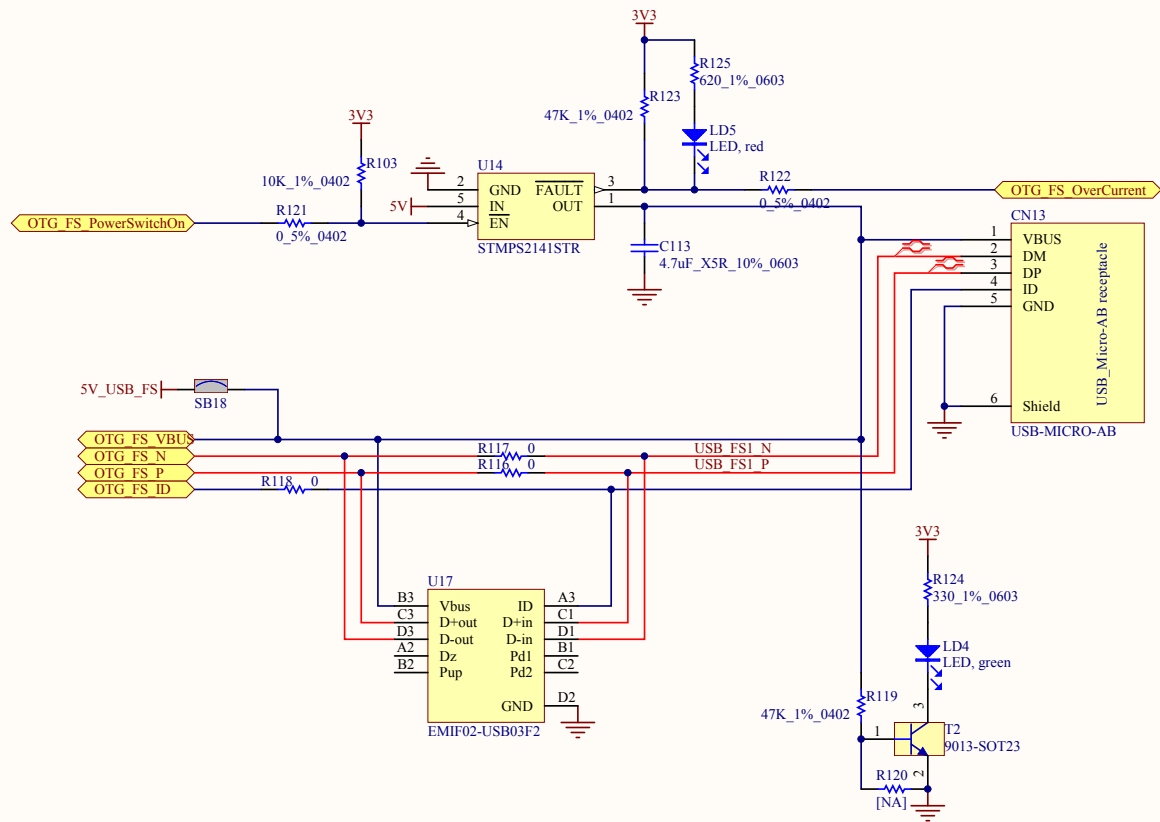
Title: Arduino UNO connectors		
Project: STM32F746G-DISCO		
Size: A4	Reference: MB1191	Revision: A-01
Date: 3/3/2015	Sheet: 6 of 13	





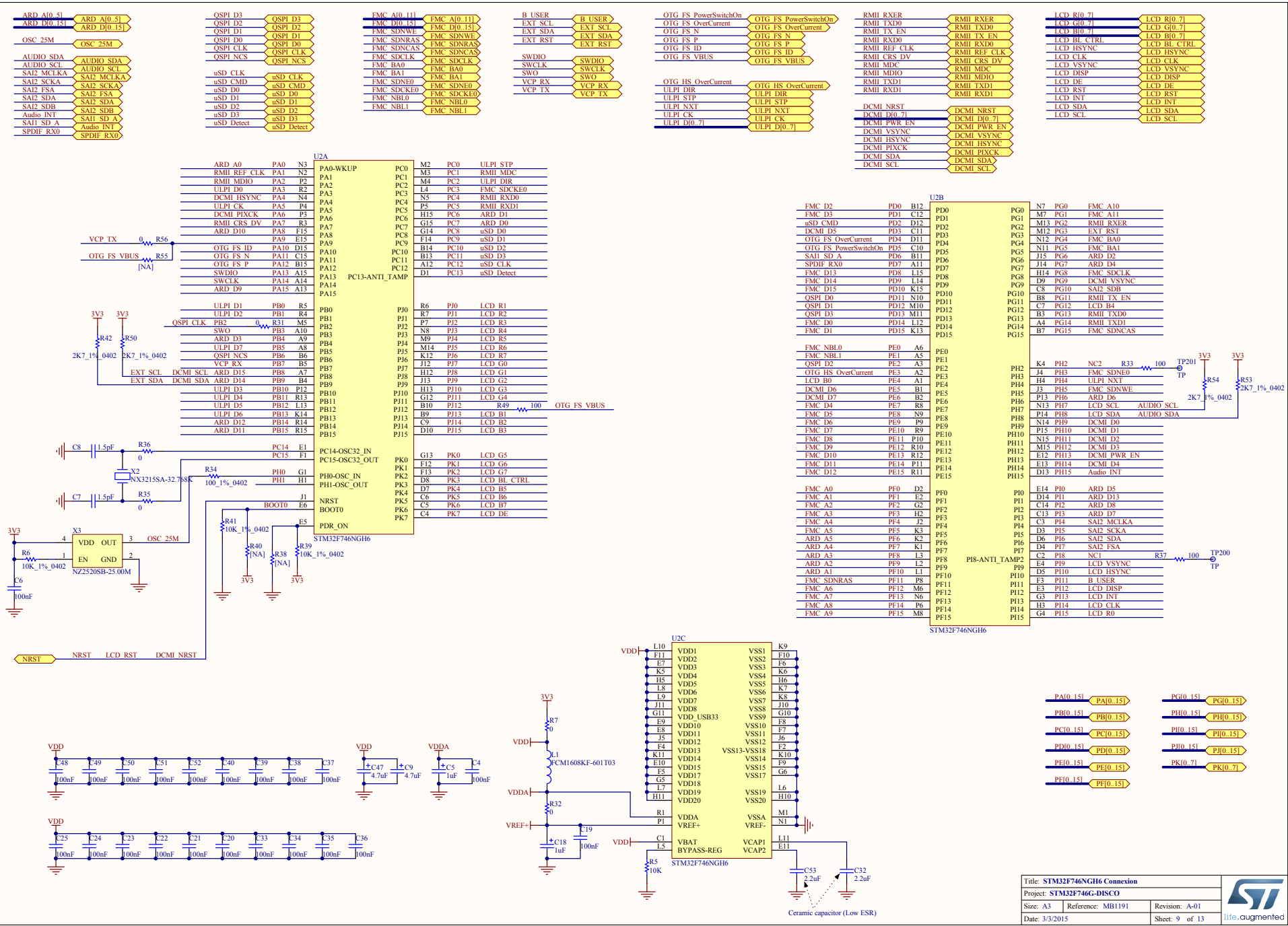
Title: SDRAM (MICRON)		
Project: STM32F746G-DISCO		
Size: A4	Reference: MB1191	Revision: A-01
Date: 3/3/2015	Sheet: 7 of 13	

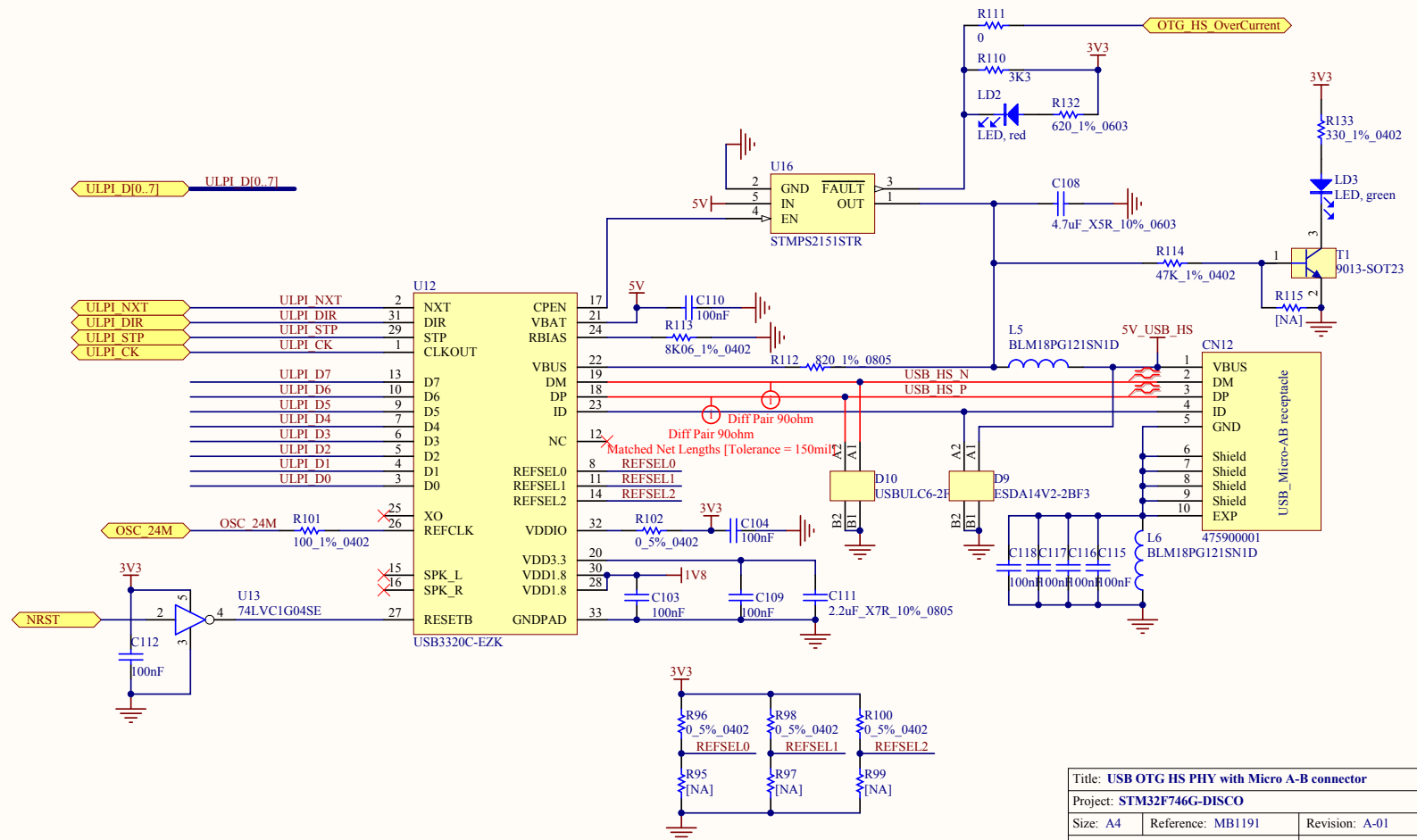




Title: USB OTG FS with Micro A-B connector		
Project: STM32F746G-DISCO		
Size: A4	Reference: MB1191	Revision: A-01
Date: 3/3/2015	Sheet: 8 of 13	

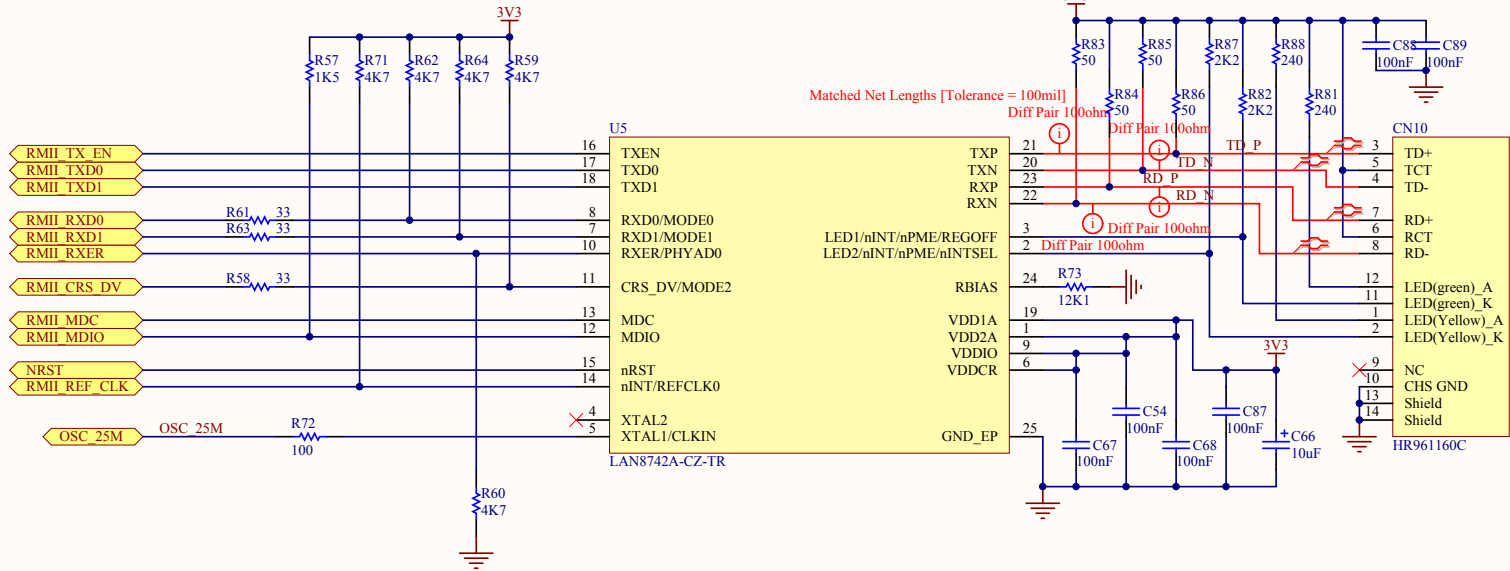






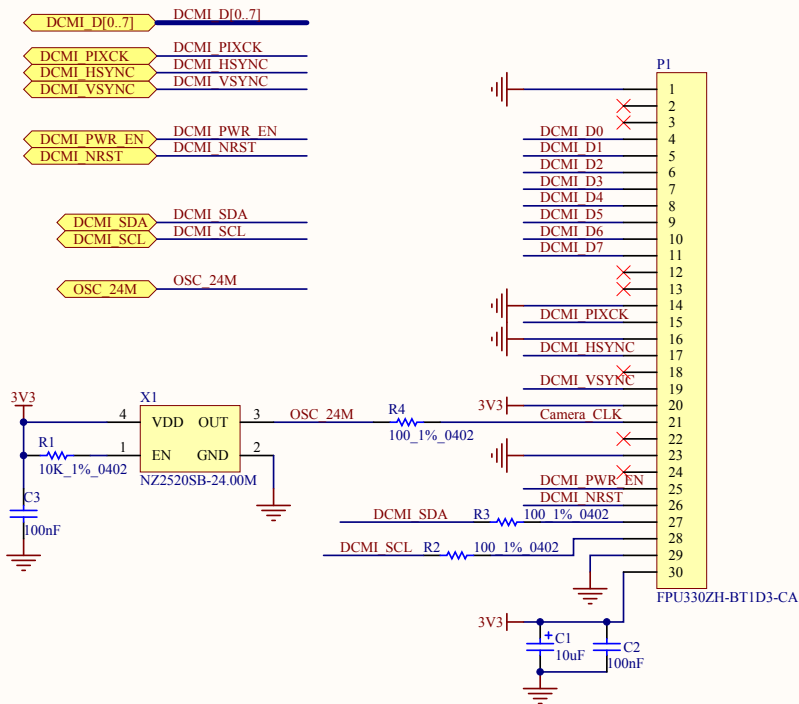
Title: USB OTG HS PHY with Micro A-B connector	
Project: STM32F746G-DISCO	
Size: A4	Reference: MB1191
Date: 3/3/2015	Revision: A-01
Sheet: 10 of 13	





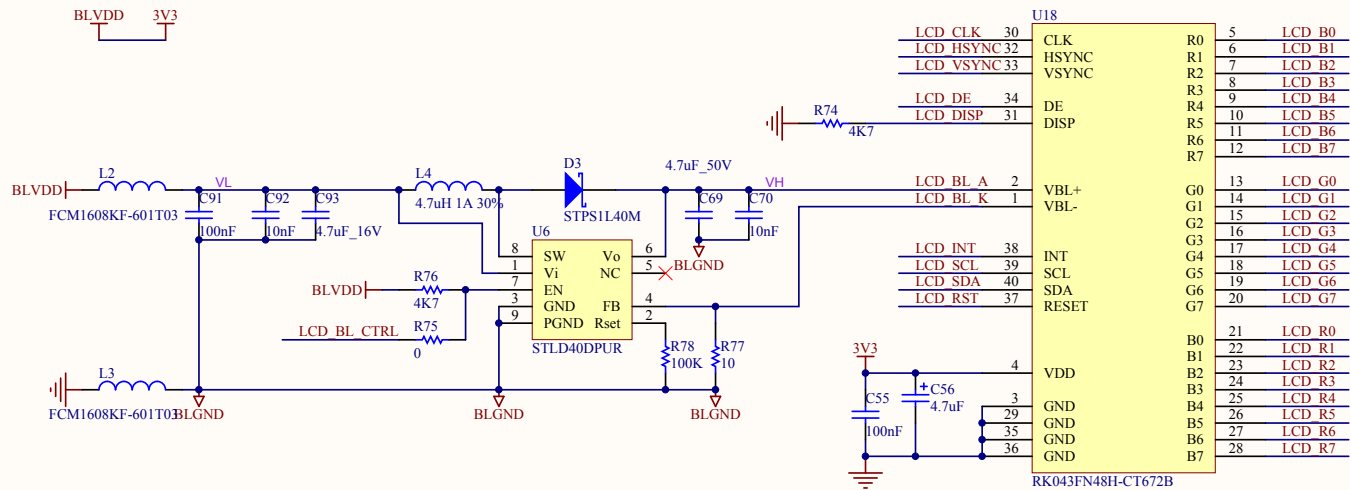
Title: Ethernet PHY with RJ45 connector		
Project: STM32F746G-DISCO		
Size: A4	Reference: MB1191	Revision: A-01
Date: 3/3/2015	Sheet: 11 of 13	





Title: External Camera connector		
Project: STM32F746G-DISCO		
Size: A4	Reference: MB1191	Revision: A-01
Date: 3/3/2015	Sheet: 12 of 13	





Backlight driver & PFC of LCD panel

