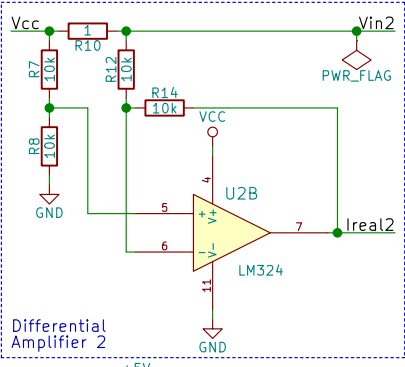
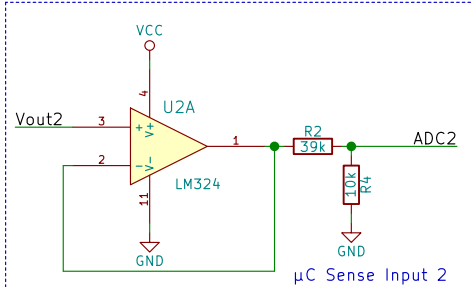
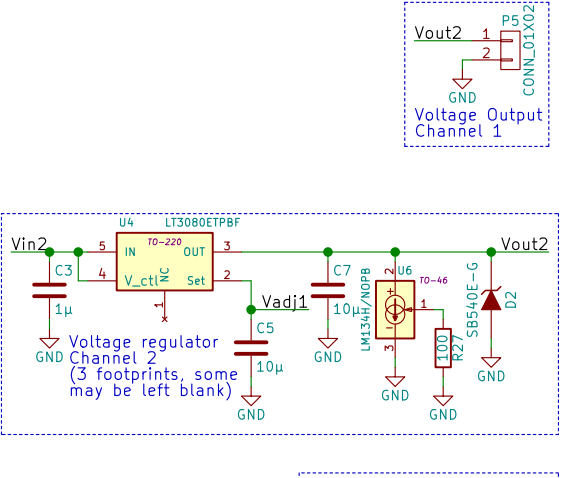
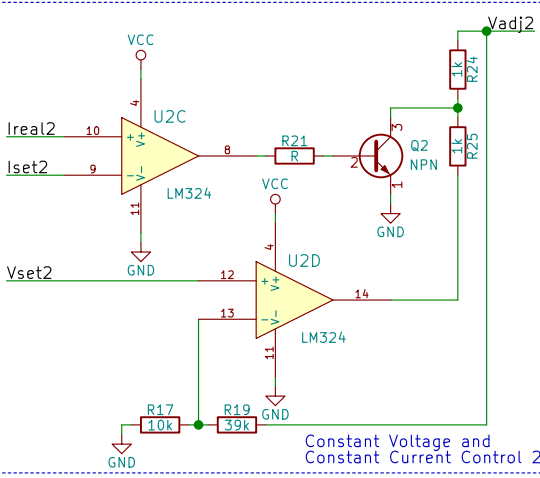


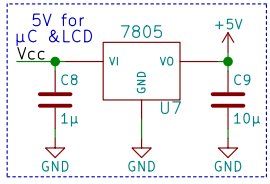
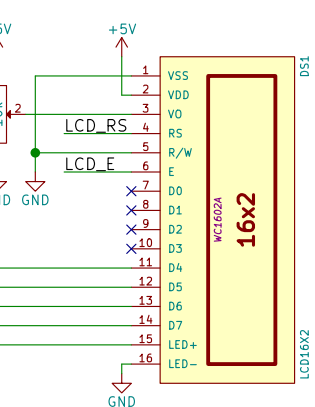
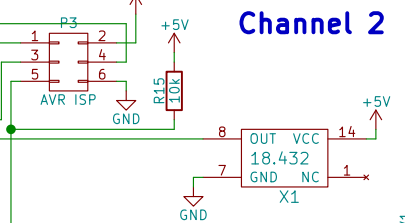
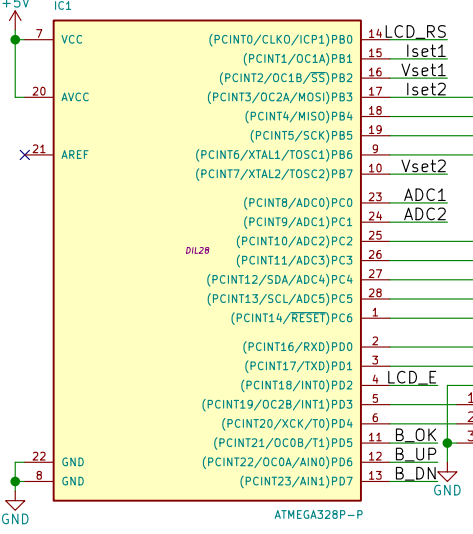
Differential Amplifier 1

Channel 1



Differential Amplifier 2

Channel 2



Dual channel Power Supply Unit
from 0 to 25V per Channel
up to 2.5A per Channel

newGeneration	
Sheet: /	
File: µPSU.sch	
Title: µPSU dual	
Size: A4	Date: Sonntag, 06. September 2015
KiCad E.D.A. eeschema (after 2015-may-25 BZR unknown)-product	Rev: RevB
	Id: 1/1