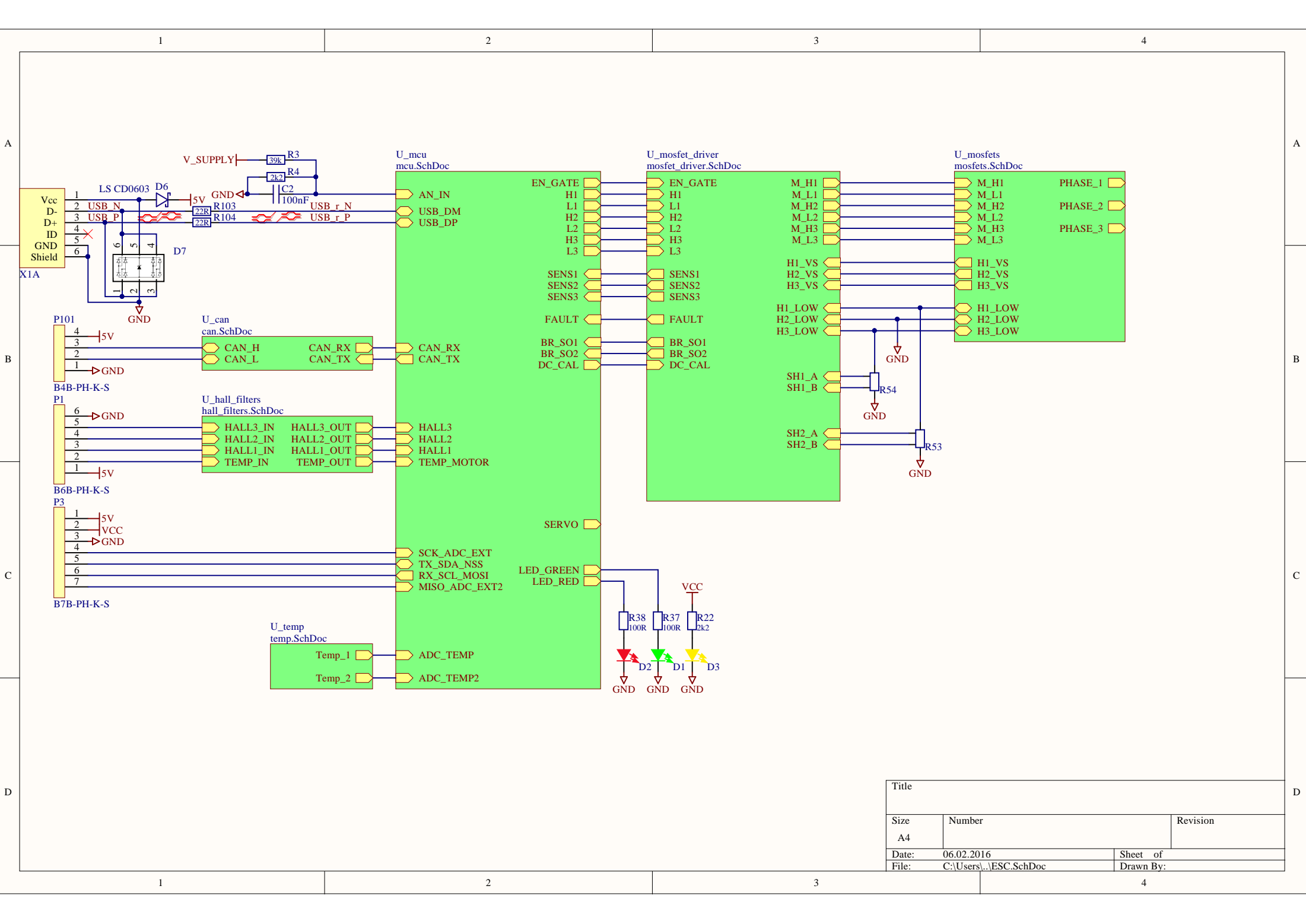
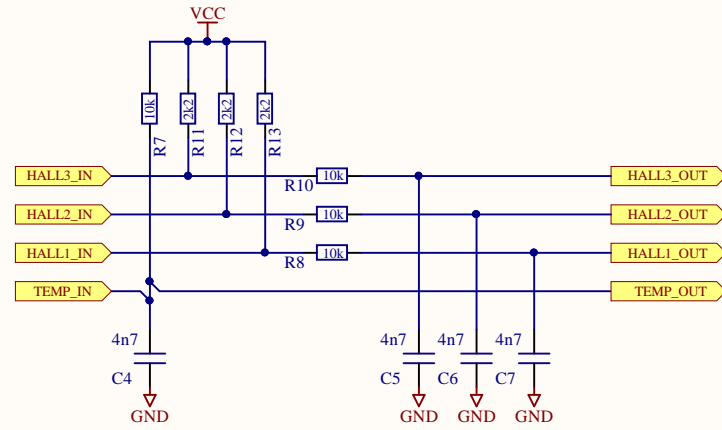


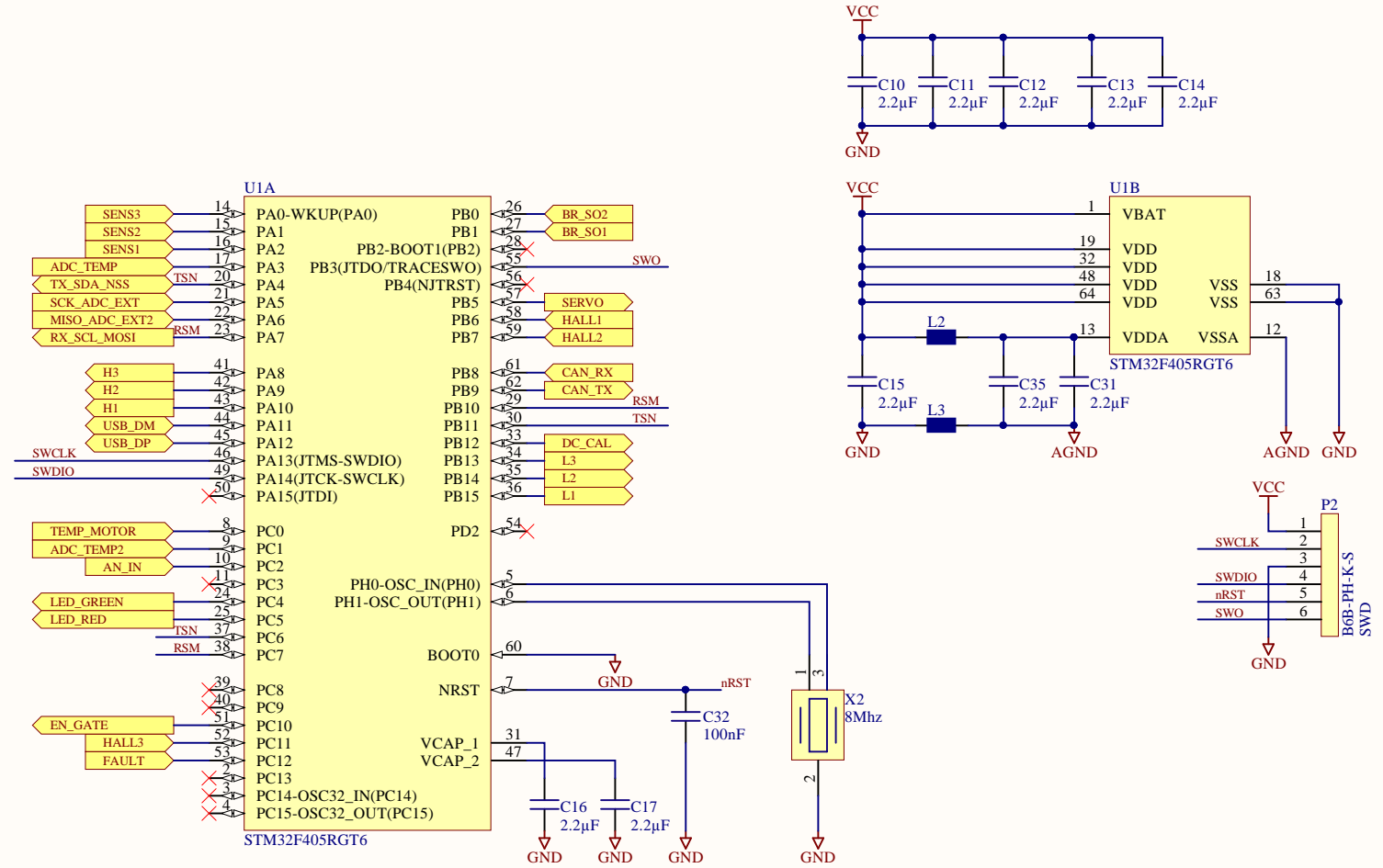
Title		
Size	Number	Revision
A4		
Date:	06.02.2016	Sheet of
File:	C:\Users\...\can.SchDoc	Drawn By:



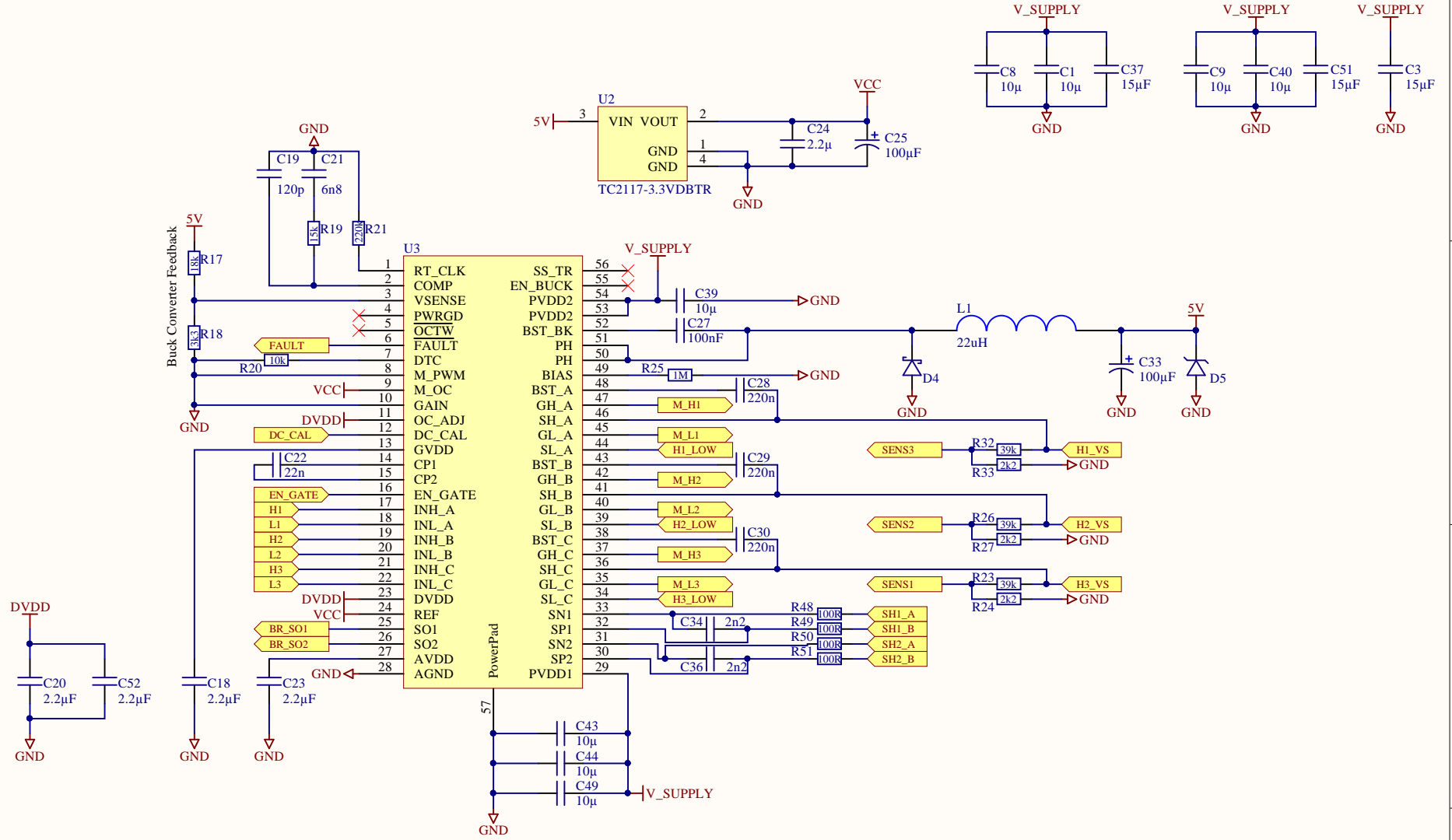
Title		
Size	Number	Revision
A4		
Date:	06.02.2016	Sheet of
File:	C:\Users\...\ESC.SchDoc	Drawn By:



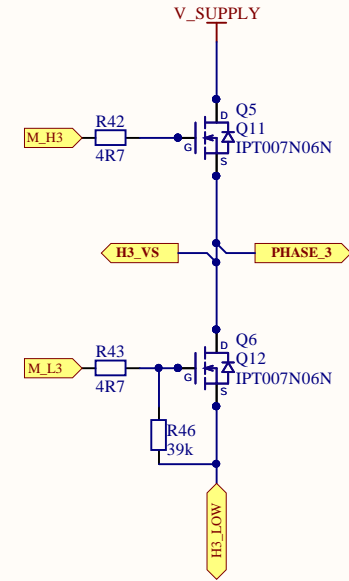
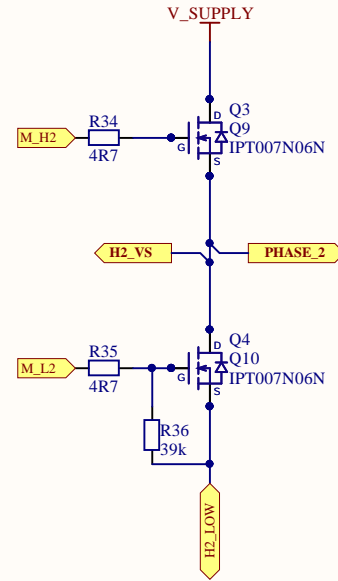
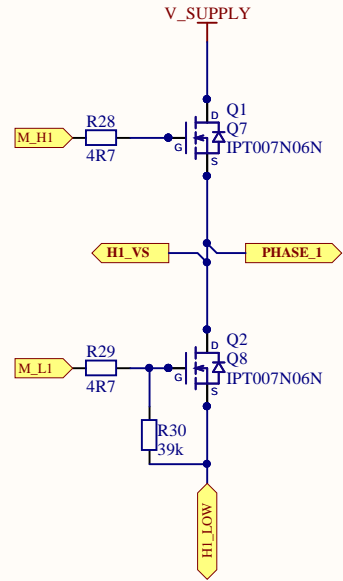
Title		
Size A4	Number	Revision
Date: 06.02.2016	Sheet of	
File: C:\Users\...\hall_filters.SchDoc	Drawn By:	



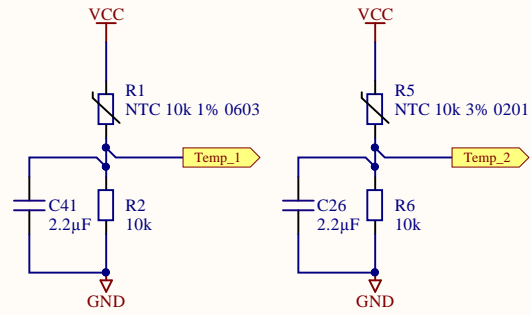
Title		
Size	Number	Revision
A4		
Date:	06.02.2016	Sheet of
File:	C:\Users\...\mcu.SchDoc	Drawn By:



Title		
Size	Number	Revision
A4		
Date:	06.02.2016	Sheet of
File:	C:\Users\...\mosfet_driver.SchDoc	Drawn By:



Title		
aXe-ESC: Power Mosfets		
Size	Number	Revision
A4		v0.1 from VESC 4.11
Date:	06.02.2016	Sheet of
File:	C:\Users\...\mosfets.SchDoc	Drawn By: Alexander Kuck (aXe)



Title		
Size A4	Number	Revision
Date: 06.02.2016	Sheet of	
File: C:\Users\...\temp.SchDoc	Drawn By:	