

LOC	DIST	REVISIONS					
		P	LTH	DESCRIPTION	DATE	DWN	APVD
A1	-	A		NEW DRAWING	180CT2010	RW	FH
		A1		E-11-002468	03FEB2011	RW	FH
		B		E-12-001793	30JAN2012	RW	FH
		B1		E-14-012408	18AUG2014	RW	MR

- Bemerkungen / NOTES
- Verpackung siehe Verpackungsanweisung V-2141577 (ESD-geschützte Trays in Feuchteschutzverpackung mit Feuchteindikator und Trockenmittel)  
PACKING SEE PACKAGING INSTRUCTION V-2141577 (ESD TRAYS IN MOISTURE PROOF BAG WITH INDICATOR AND DESICCANT)
  - 100% optischer Test: Lichtausgangsleistung, Receiverempfindlichkeit und Status-Pin Abfrage  
100% OPTICAL TEST: OUTPUT PERFORMANCE, RECEIVER SENSIVITY AND STATUS-PIN QUERY
  - Bezugspिन  
REFERENCE PIN
  - Massgebend ist der deutsche Text  
ONLY THE GERMAN LANGUAGE SHALL BE BINDING
  - Alle Masse in ( ) nur zur Information  
ALL DIMENSIONS IN ( ) ONLY FOR INFORMATION
  - Pinlayout von Lötseite aus gesehen.  
Angaben entsprechen den Form- und Lagetoleranzen der Pins.  
Layout ist entsprechend auszulegen.  
PIN LAYOUT SHOWN FROM SOLDERING SIDE OF PCB.  
DIMENSIONS AND TOLERANCES ACCORDING TO PINS.  
LAYOUT HAS TO BE ADAPTED.
  - Ø1.8 mm Bohrung fuer Boardlocks  
Ø1.8 MM HOLE FOR BOARDLOCKS
  - Steckersystem gemass Schnittstelle C-114-18361-1 inklusive Kodierungen  
CONNECTOR ACCORDING TO C-114-18361-1 INCLUDING CODINGS
  - Assy PN, Produktionsdatum Revision und FOT Typ auf Header gedruckt oder Laser graviert. Schrift: Hoehe 1.6 mm.  
Position bleibt dem Hersteller ueberlassen.  
Assy PN, DATE CODE REVISION AND FOT TYP PRINTED OR LASER ENGRAVED ON HEADER, CHAR: HIGH 1.6 MM.  
POSITION IS LEFT TO THE MANUFACTURER
  - Gewicht ohne Staubschutzkappe: 6.2g  
WEIGHT W WITHOUT PROTECTION COVER: 6.2g
  - Kodierung A wie gezeichnet 0-2141577-1  
CODING A AS SHOWN 0-2141577-1
  - TRANSMITTER AVAGO TYPE AFBR-1012  
RECEIVER AVAGO TYPE AFBR-2012  
Transmitter Avago Type AFBR-1012  
Receiver Avago Type AFBR-2012
  - Passend zu Gegenstecker bsp. 1418862  
SUITABLE TO MATING PART EXC. 1418862
  - Markierung AV5 = Avago FOTS  
MARKING AV5 = AVAGO FOTS

2-2141577-x siehe Blatt 2 (neues Teil mit neuem Schirmblech)  
SEE PAGE 2 (NEW PART WITH NEW EMI SHIELD)

Part No.	Rev.	Coding	Pos.	Description	Qty.	Material / Color	Vol. (mm <sup>3</sup> )	Weight [g]
0-2141577-9	B	Z	7	Protection Cover	1	PP-MF20 / dusty grey	656	0.7
			6	Polymer Optical Fiber	2	PC / clear and PA12 / black		
			5	Receiver AVAGO	1	resin and copper alloy, Au plated 0.05-0.5 µm	210	(B1)
			4	Transmitter AVAGO	1	resin and copper alloy, Au plated 0.05-0.5 µm	210	(B1)
			3	Adapter for Elements	1	PBT GF 15 / black	194	
0-2141577-2	B	B	7	Protection Cover	1	PP-MF20 / dusty grey	656	0.7
			6	Polymer Optical Fiber	2	PC / clear and PA12 / black		
			5	Receiver AVAGO	1	resin and copper alloy, Au plated 0.05-0.5 µm	210	(B1)
			4	Transmitter AVAGO	1	resin and copper alloy, Au plated 0.05-0.5 µm	210	(B1)
			3	Adapter for Elements	1	PBT GF 15 / black	194	
0-2141577-1	B	A	7	Protection Cover	1	PP-MF20 / dusty grey	656	0.7
			6	Polymer Optical Fiber	2	PC / clear and PA12 / black		
			5	Receiver AVAGO	1	resin and copper alloy, Au plated 0.05-0.5 µm	210	(B1)
			4	Transmitter AVAGO	1	resin and copper alloy, Au plated 0.05-0.5 µm	210	(B1)
			3	Adapter for Elements	1	PBT GF 15 / black	194	
			2	EMI Shielding Micropigtail	1	plating: 0.8-3.0 µm Ni 2.0-5.0 µm Sn on solder pins	328	
			1	2 pos. Header Hsg. Micropigtail	1	PBT/PC GF20 / black	2286	

THIS DRAWING IS A CONTROLLED DOCUMENT.

DMN R. Wuecker 180CT2010  
CHK R. Wuecker  
APVD F. Hofmann

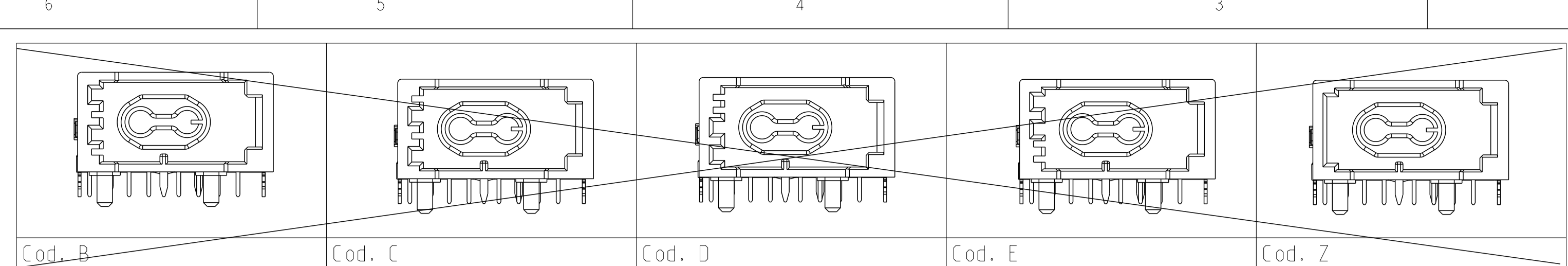
NAME: Micropigtail with AVAGO CM Elements / POF

PRODUCT SPEC: 108-94198  
APPLICATION SPEC: 114-18997

SIZE: A1 CAGE CODE: 00779 DRAWING NO: C=2141577  
WEIGHT: 6.2g

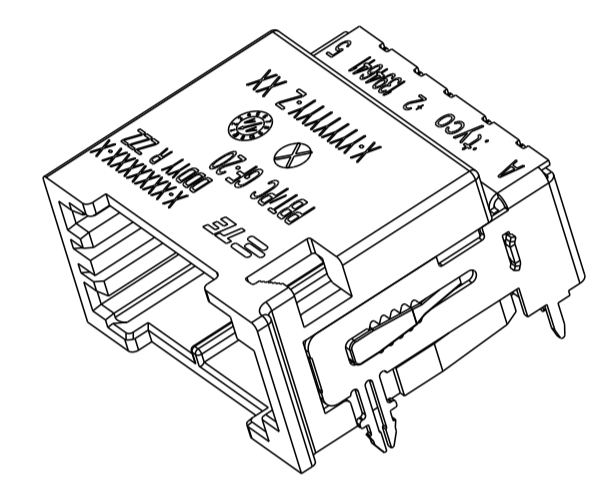
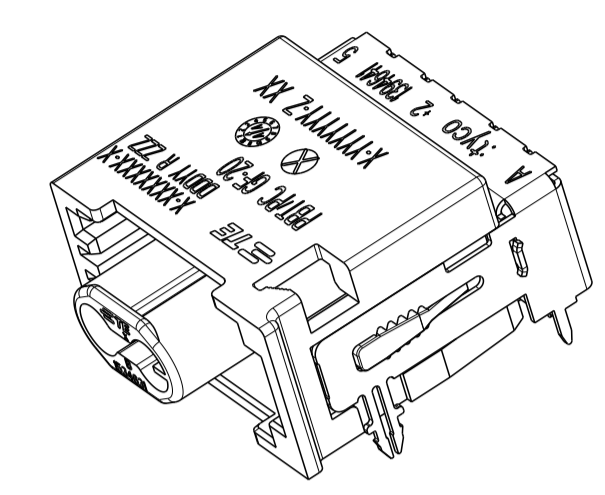
CUSTOMER DRAWING SCALE: 2:1 SHEET: 1 OF 2 REV: B1

STE TE Connectivity

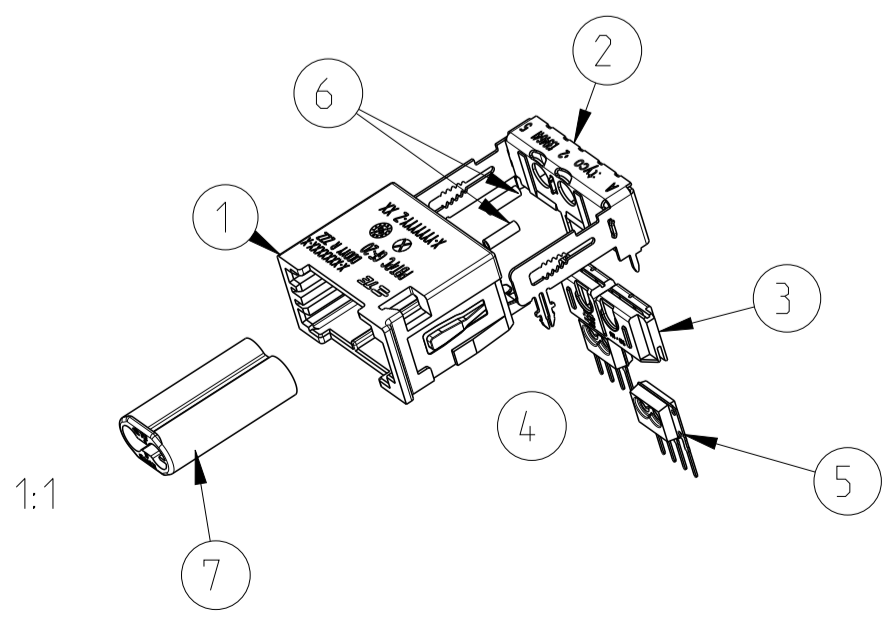
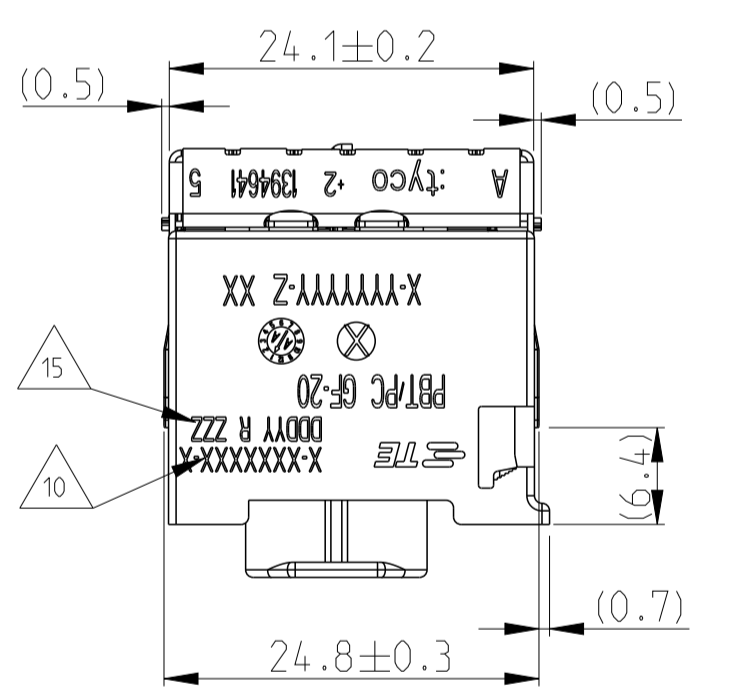
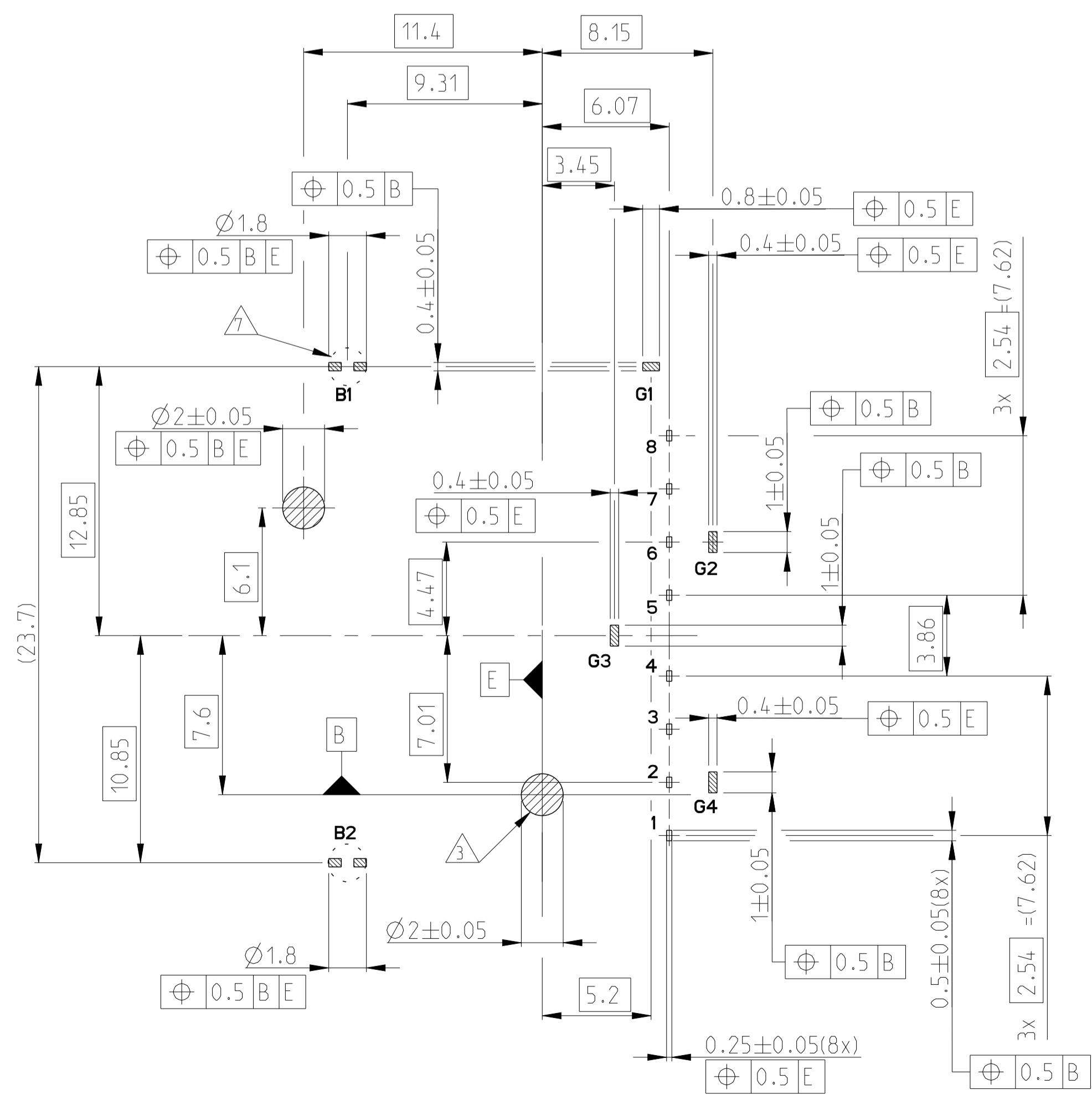
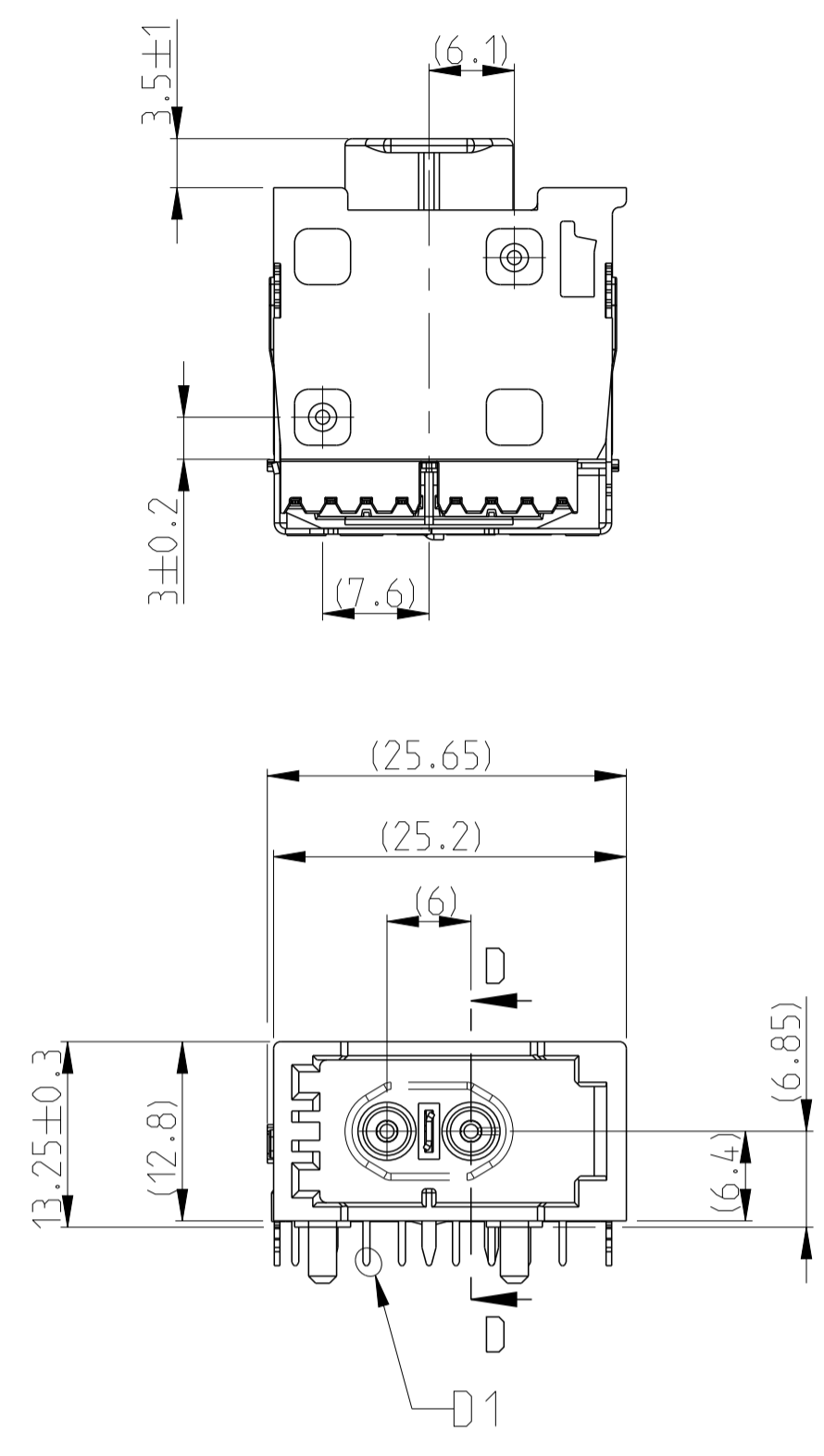
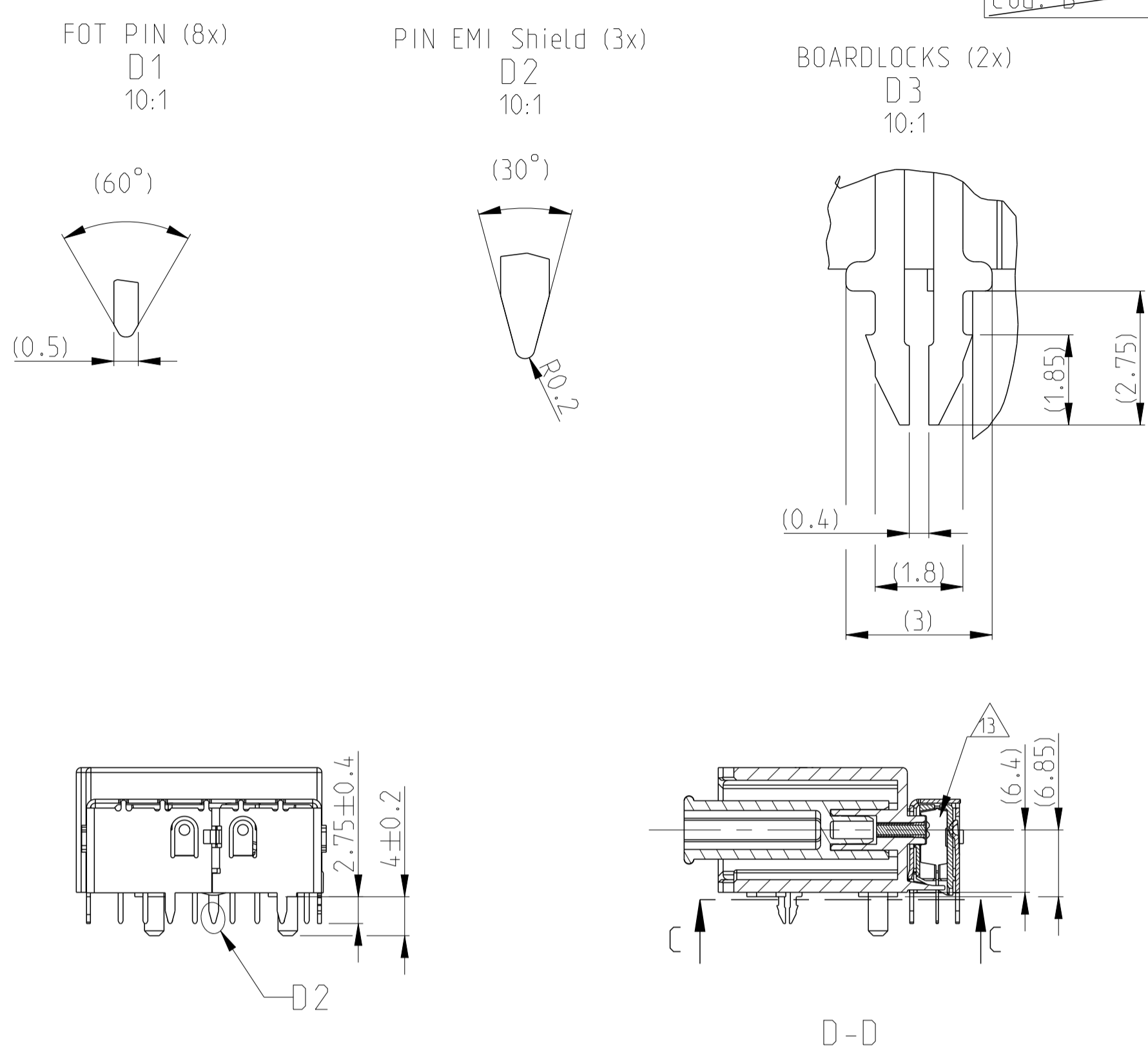


LOC	DIST	REVISONS	DATE	OWN	APVD
A1	-	DESCRIPTION			
		SEE SHEET 1			

- Bemerkungen / NOTES
- Verpackung siehe Verpackungsanweisung V-2141577 (ESD-geschuetzte Trays in Feuchteschutzverpackung mit Feuchteindikator und Trocknungsmittel) PACKING SEE PACKAGING INSTRUCTION V-2141577 (ESD TRAYS IN MOISTURE PROOF BAG WITH INDICATOR AND DESICCANT)
  - 100% optischer Test: Lichtausgangsleistung, Receiverempfindlichkeit und Status-Pin Abfrage 100% OPTICAL TEST: OUTPUT PERFORMANCE, RECEIVER SENSIVITY AND STATUS-PIN QUERY
  - Bezugspin REFERENCE PIN
  - Massgebend ist der deutsche Text ONLY THE GERMAN LANGUAGE SHALL BE BINDING
  - Alle Masse in () nur zur Information ALL DIMENSIONS IN () ONLY FOR INFORMATION
  - Pinlayout von Lötseite aus gesehen. Angaben entsprechen den Form- und Lagetoleranzen der Pins. Layout ist entsprechend auszuliegen. PIN LAYOUT SHOWN FROM SOLDERING SIDE OF PCB. DIMENSIONS AND TOLERANCES ACCORDING TO PINS. LAYOUT HAS TO BE ADAPTED.
  - Ø1.8mm Bohrung fuer Boardlocks Ø1.8MM HOLE FOR BOARDLOCKS
  - Steckersystem gemass Schnittstelle C-114-18361-1 inklusive Kodierungen CONNECTOR ACCORDING TO C-114-18361-1 INCLUDING CODINGS
  - Assy PN, Produktionsdatum Revision und FOT Typ auf Header gedruckt oder Laser graviert. Schrift: Hoehe 1.6 mm. Position bleibt dem Hersteller ueberlassen. Assy PN, DATE CODE REVISION AND FOT TYP PRINTED OR LASER ENGRAVED ON HEADER. CHAR: HIGH 1.6 MM. POSITION IS LEFT TO THE MANUFACTURER
  - Gewicht ohne Staubschutzkappe: 6.5g WEIGHT WITHOUT PROTECTION COVER: 6.5g
  - Kodierung A wie gezeichnet 2-2141577-1 CODING A AS SHOWN 2-2141577-1
  - Transmitter AVAGO TYPE AFBR-1012 CHIP REV.A AV5 RECEIVER AVAGO TYPE AFBR-2012 CHIP REV.A AV5 Transmitter Avago Type AFBR-1012 Chip Rev. A AV5 Receiver Avago Type AFBR-2012 Chip Rev. A AV5
  - Passend zu Gegenstecker bsp. 1418862 SUITABLE TO MATING PART EXC. 1418862
  - Markierung AV5 = AVAGO FOTS MARKING AV5 = AVAGO FOTS



0-2141577-X siehe Blatt 1 CONVERSION KIT SEE PAGE 1 NEW EMI SHIELD



Part No.	Rev.	Coding	Pos.	Description	Qty.	Material / Color	Vol. (mm <sup>3</sup> )	Weight (g)
2-2141577-9	B	Z	7	Protection Cover	1	PP-MF20 / dusty grey	656	0.7
			6	Polymer Optical Fiber	2	PC / clear and PA12 / black		
			5	Receiver AVAGO	1	resin and copper alloy, Au plated 0.05-0.5µm	(B1) 210	
			4	Transmitter AVAGO	1	resin and copper alloy, Au plated 0.05-0.5µm	(B1) 210	
			3	Adapter for Elements	1	PBT GF 15 / black	194	
			2	EMI Shielding Micropigtail	1	plating: 0.8-3.0µm Ni 2.0-5.0µm Sn on solder pins	328	
2-2141577-2	B	B	1	2 pos. Header Hsg. Micropigtail	1	PBT/PC GF20 / black	2286	
			7	Protection Cover	1	PP-MF20 / dusty grey	656	0.7
			6	Polymer Optical Fiber	2	PC / clear and PA12 / black		
			5	Receiver AVAGO	1	resin and copper alloy, Au plated 0.05-0.5µm	(B1) 210	
			4	Transmitter AVAGO	1	resin and copper alloy, Au plated 0.05-0.5µm	(B1) 210	
			3	Adapter for Elements	1	PBT GF 15 / black	194	
			2	EMI Shielding Micropigtail	1	plating: 0.8-3.0µm Ni 2.0-5.0µm Sn on solder pins	328	
2-2141577-1	B	A	1	2 pos. Header Hsg. Micropigtail	1	PBT/PC GF20 / black	2286	
			7	Protection Cover	1	PP-MF20 / dusty grey	656	0.7
			6	Polymer Optical Fiber	2	PC / clear and PA12 / black		
			5	Receiver AVAGO	1	resin and copper alloy, Au plated 0.05-0.5µm	(B1) 210	
			4	Transmitter AVAGO	1	resin and copper alloy, Au plated 0.05-0.5µm	(B1) 210	
			3	Adapter for Elements	1	PBT GF 15 / black	194	
			2	EMI Shielding Micropigtail	1	plating: 0.8-3.0µm Ni 2.0-5.0µm Sn on solder pins	328	

THIS DRAWING IS A CONTROLLED DOCUMENT. DWG: R. Wuecker 180CT2010 CHK: R. Wuecker NAME: Micropigtail with AVAGO CM Elements / POF APVD: E. Hofmann PRODUCT SPEC: 108-94198 APPLICATION SPEC: 114-18997 WEIGHT: 6.5g MATERIAL: - FINISH: -

SCALE: 1:2 SHEET: 2 OF 2 REV: B1