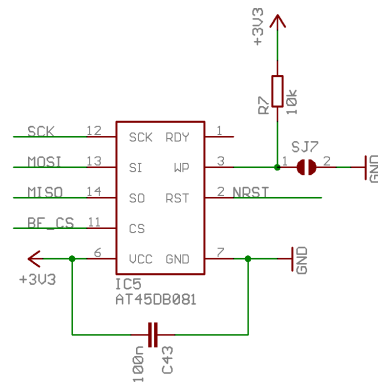
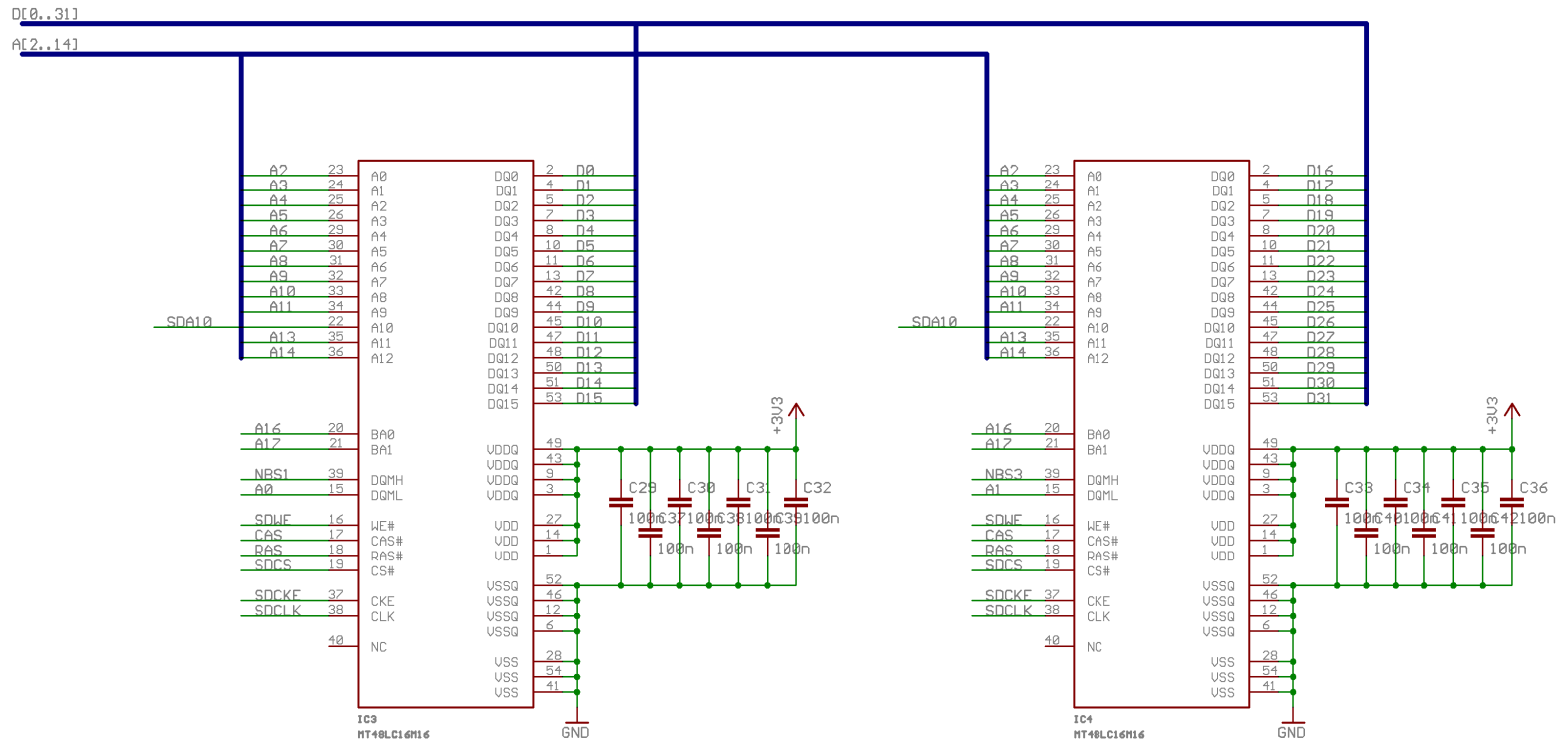


TITLE: embedded_system_mod

Document Number: REV:

Date: 22.11.2007 19:02:34 Sheet: 1/5



TITLE: embedded_system_mod

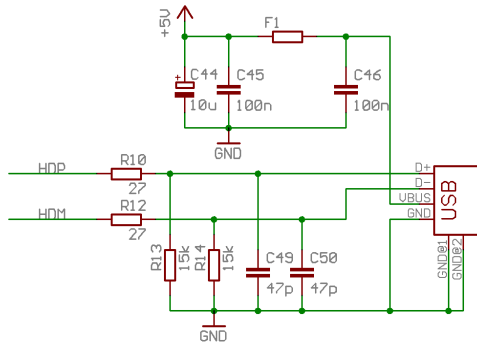
Document Number:

REV:

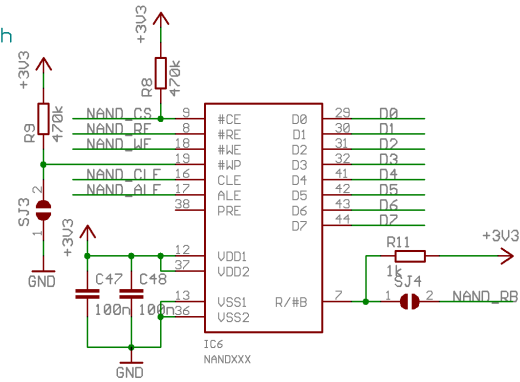
Date: 22.11.2007 19:02:34

Sheet: 2/5

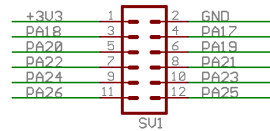
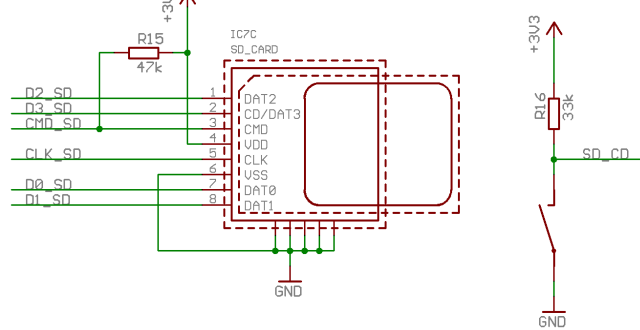
USB Host



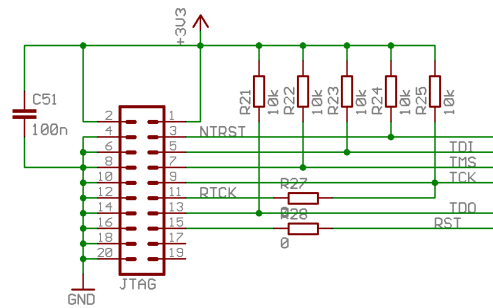
NAND Flash



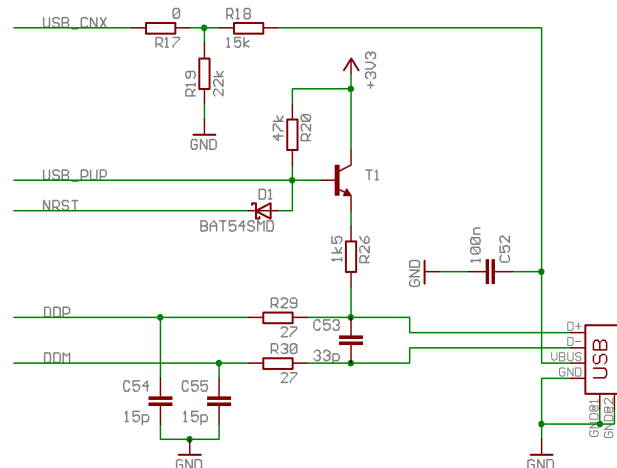
SD Interface



ICE Interface



USB Slave



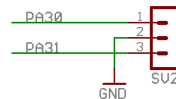
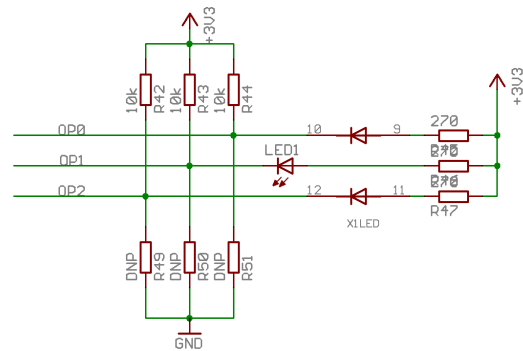
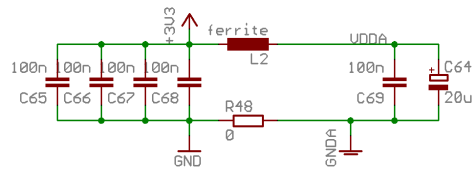
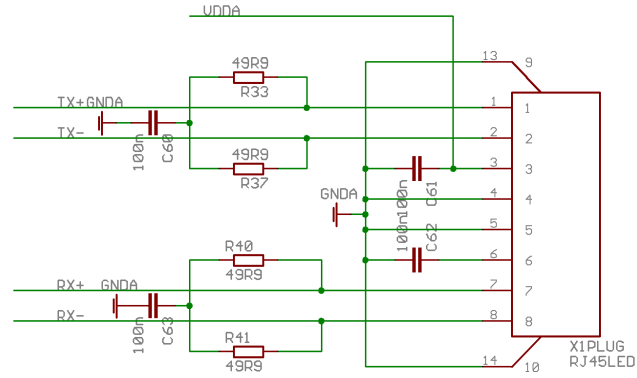
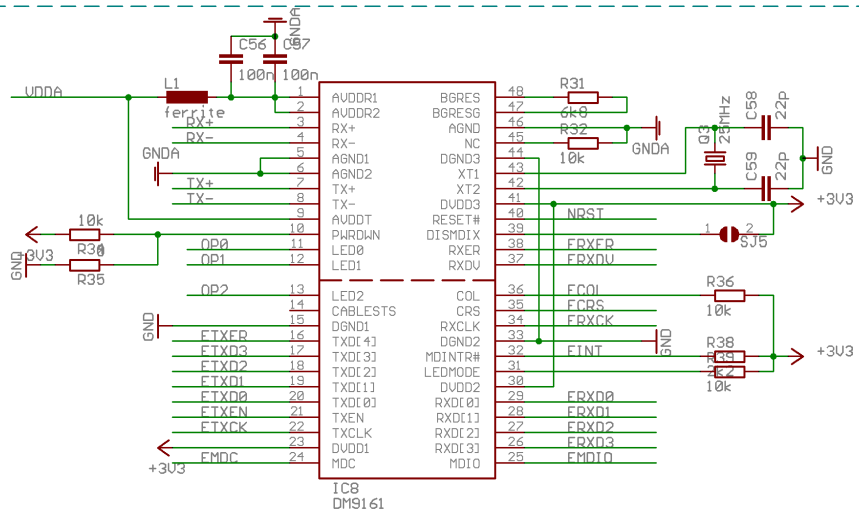
TITLE: embedded_system_mod

Document Number:

REV:

Date: 22.11.2007 19:02:34

Sheet: 3/5



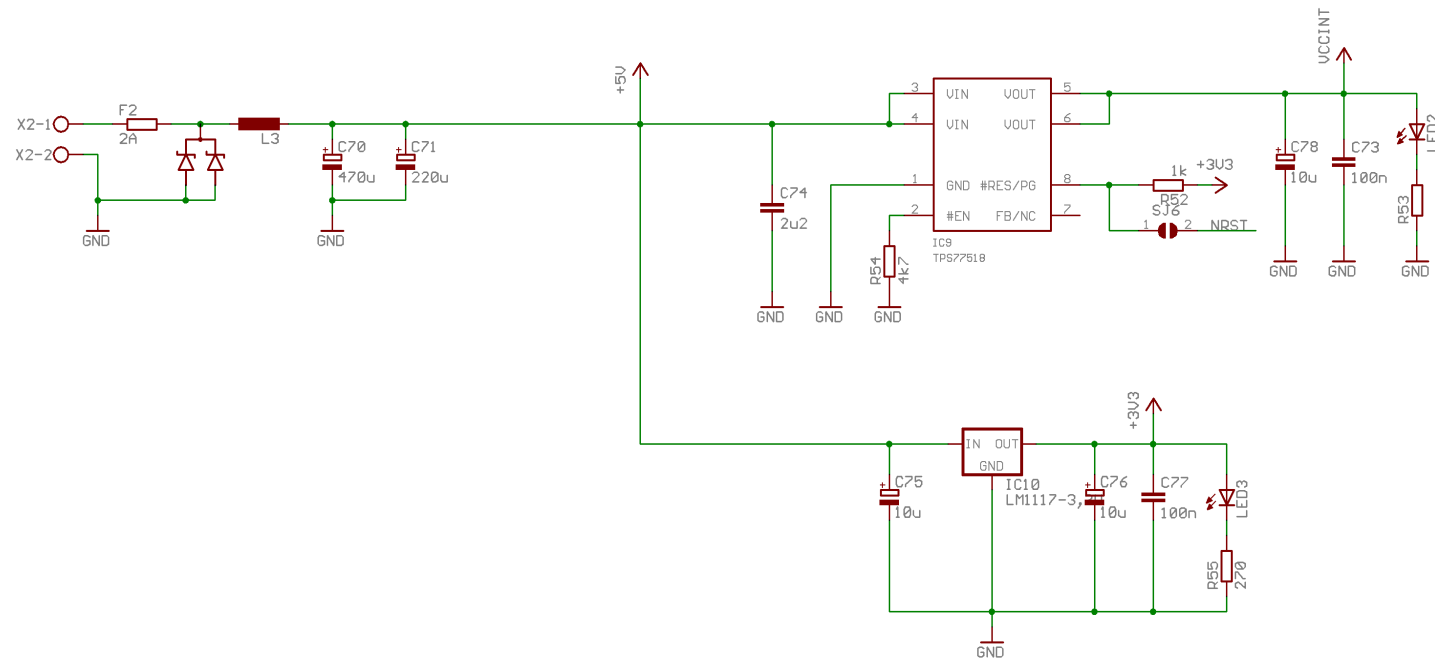
TITLE: embedded_system_mod

Document Number:

REV:

Date: 22.11.2007 19:02:34

Sheet: 4/5



TITLE: embedded_system_mod

Document Number:

REV:

Date: 22.11.2007 19:02:34

Sheet: 5/5