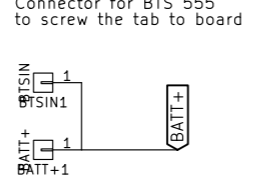
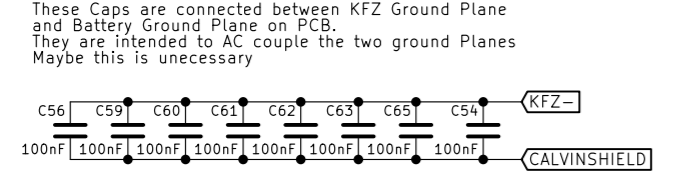
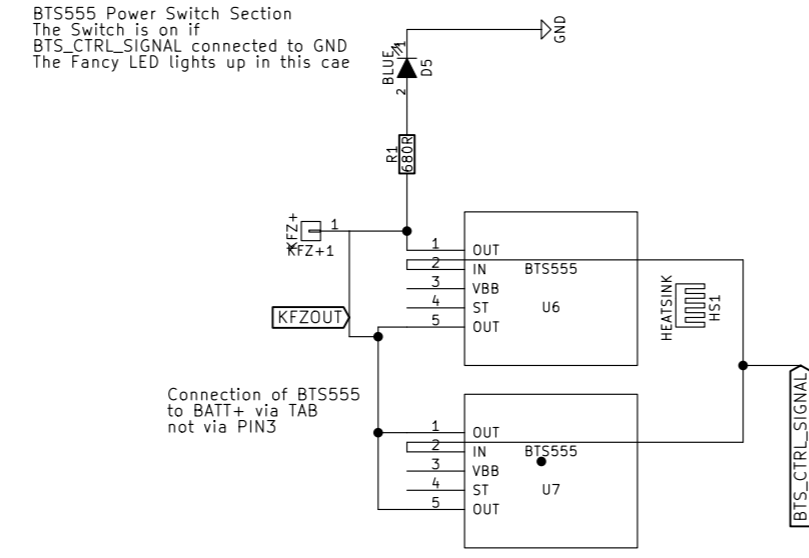
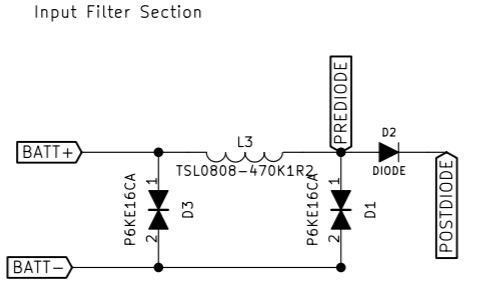
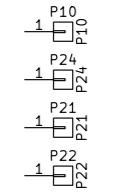
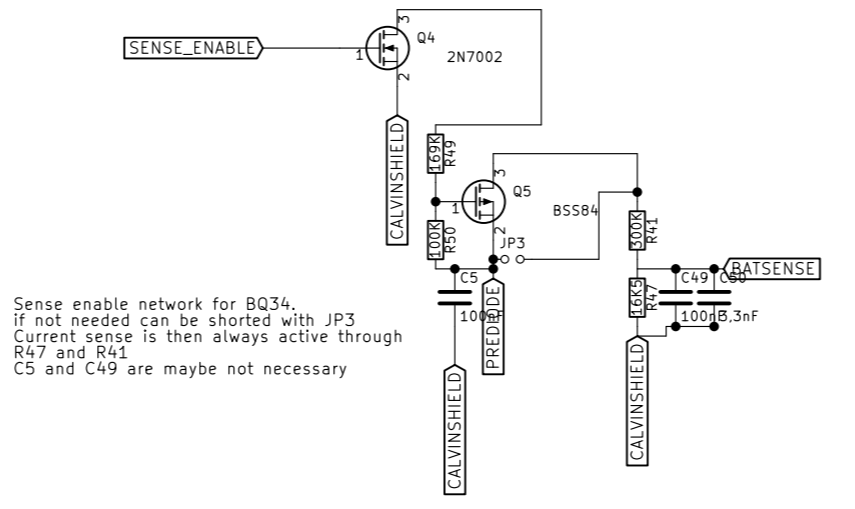
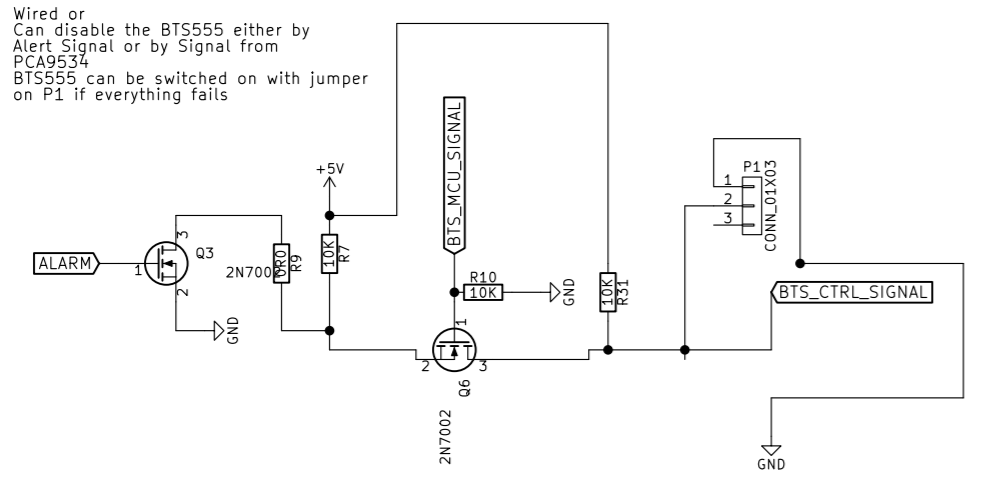
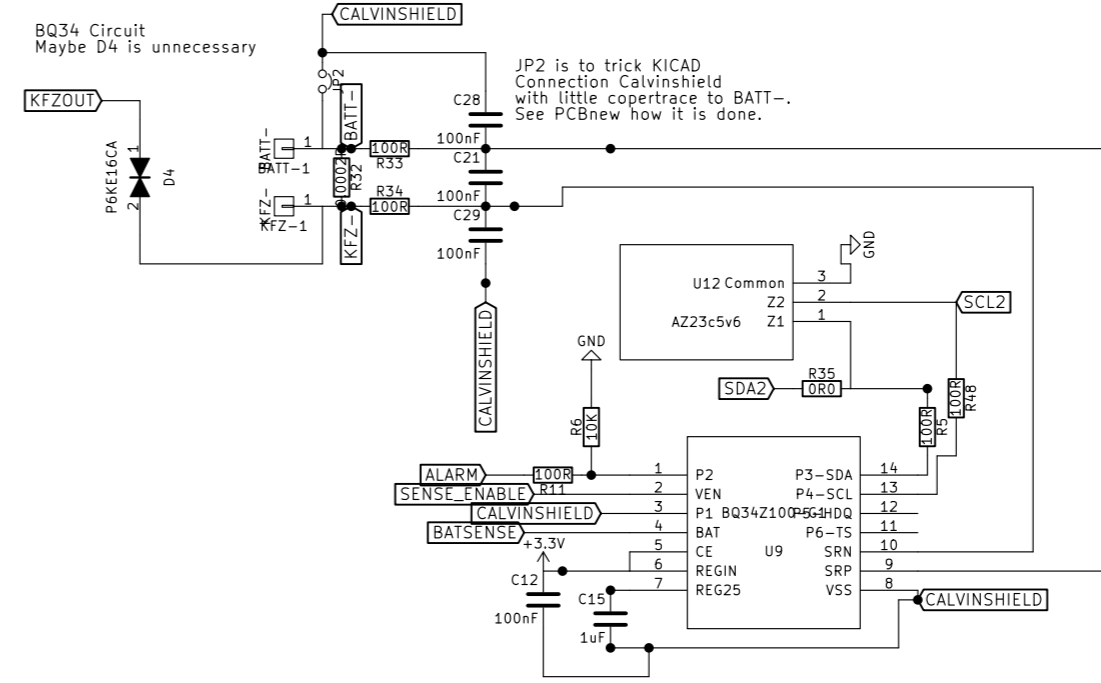
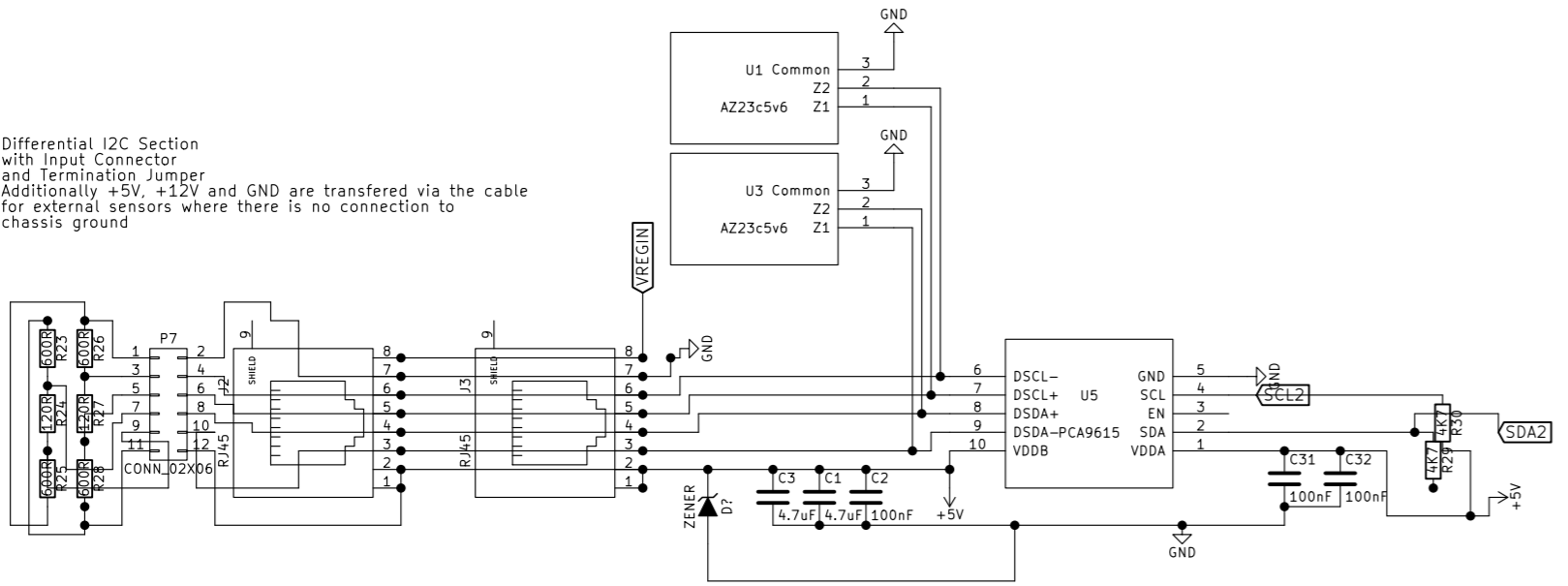


Mounting Holes



Differential I2C Section with Input Connector and Termination Jumper. Additionally +5V, +12V and GND are transferred via the cable for external sensors where there is no connection to chassis ground.



SOME Mosfet to controll external stuff
No Circuit protection here
so take care on your own.

With these resistors the I2C address of the unit can be set

BQ34 Circuit
Maybe D4 is unnecessary

JP2 is to trick KICAD
Connection Calvinshield
with little coperttrace to BATT-.
See PCBnew how it is done.

Sense enable network for BQ34.
if not needed can be shorted with JP3
Current sense is then always active through
R47 and R41
C5 and C49 are maybe not necessary