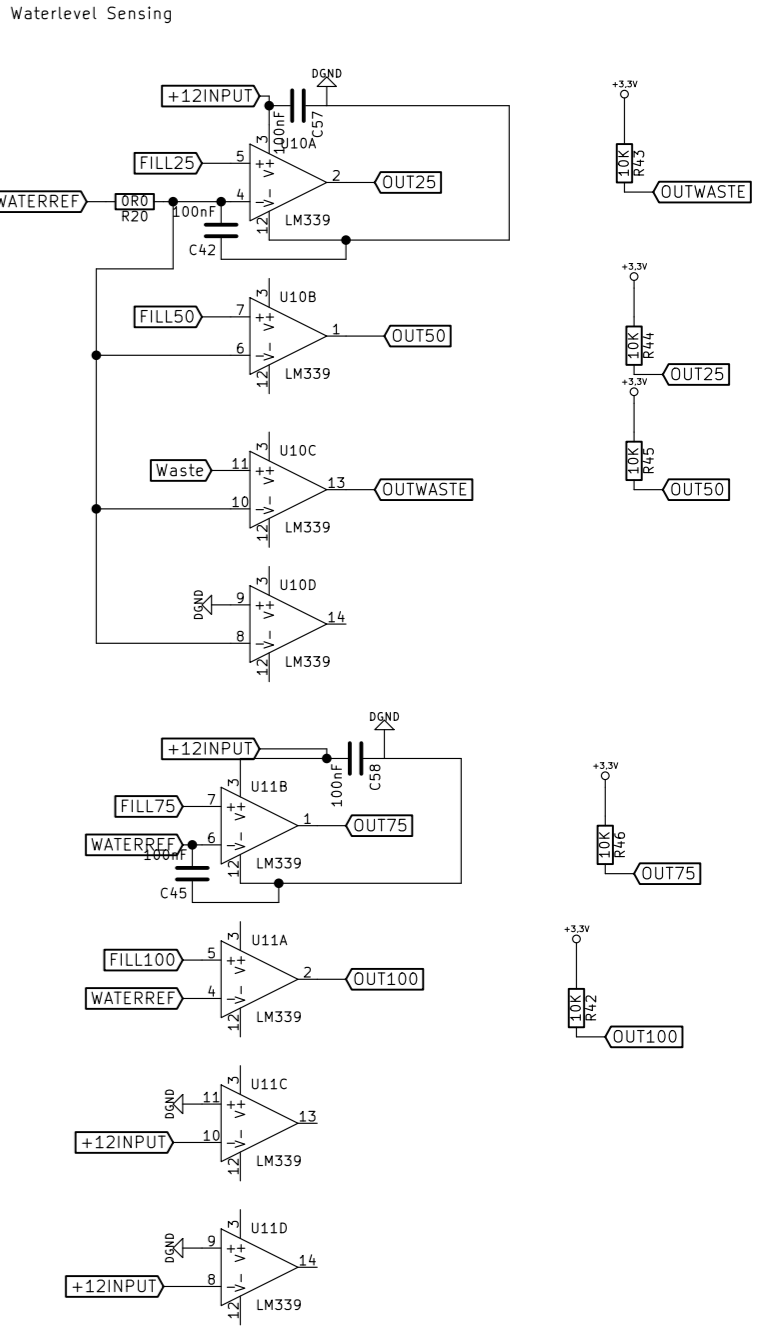
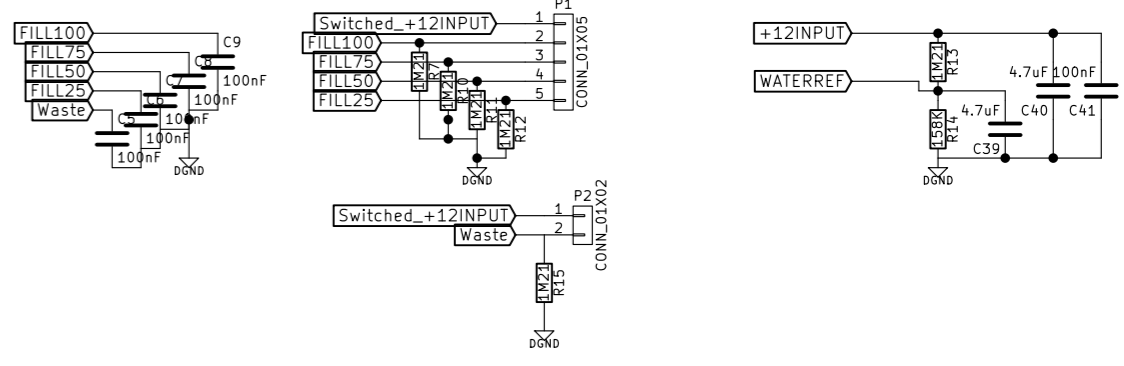
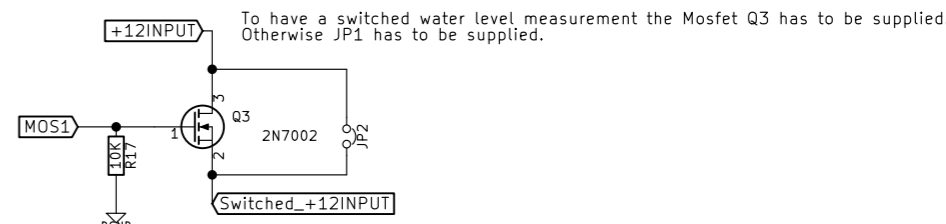


Connector for electrode



Reference voltage for Measurement. Note, the 1M Ω resistors is here in the higher leg and for the water electrodes in the lower leg of the divider. Meaning the off resistance of the water sensor has to be about 10 Meg Ohms so that the comparator detects a low. One could vary R14 if leakage resistance of the electrode is to high



To have a switched water level measurement the Mosfet Q3 has to be supplied. Otherwise JP1 has to be supplied.