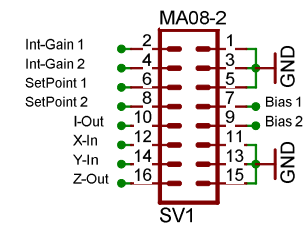


Connector To Controlbox



Steuerplatine

TITLE: SCHUL-STM8

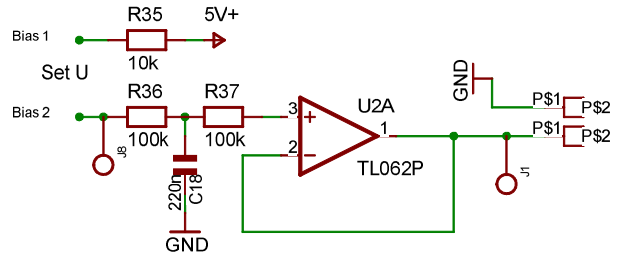
Document Number:

REV:

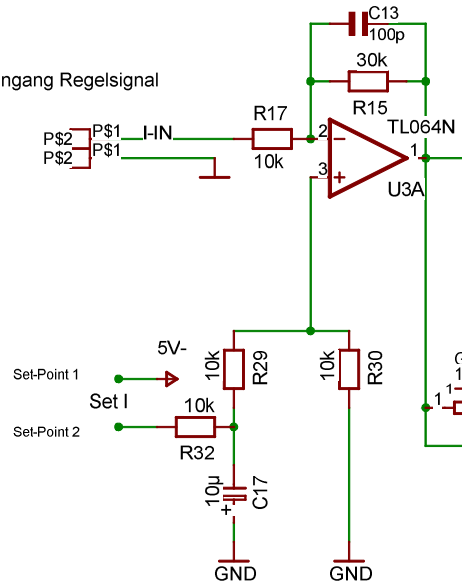
Date: 03.03.2004 12:34:24

Sheet: 1/4

Sample Bias

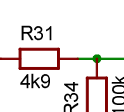


Eingang Regelsignal

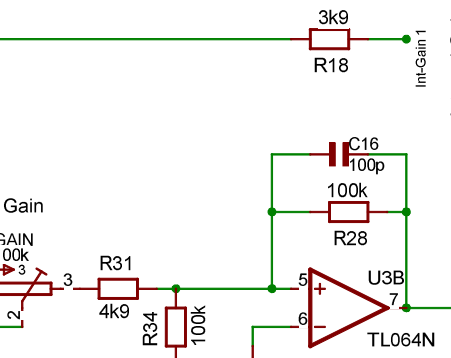
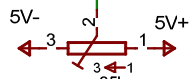


Z-Control

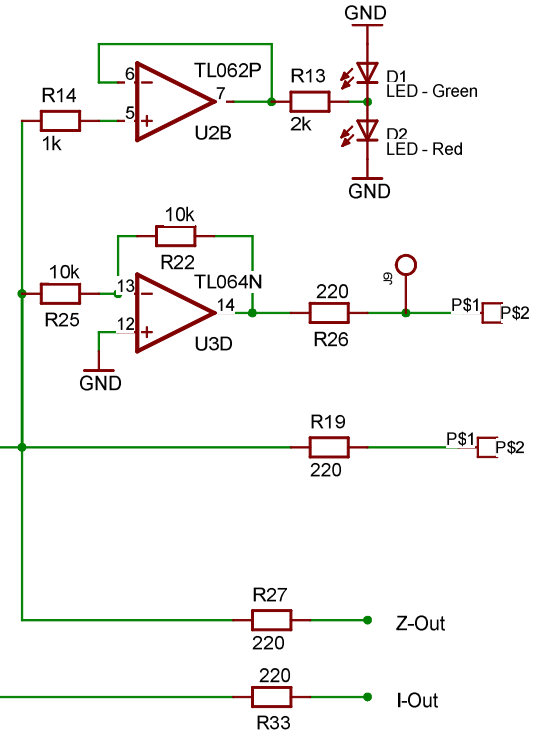
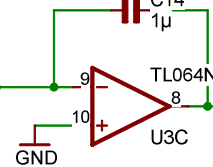
Gain



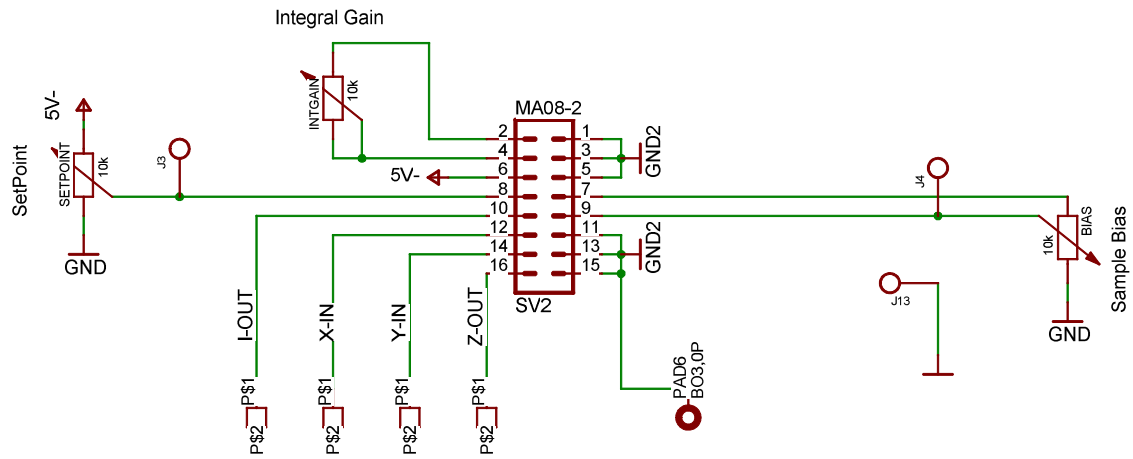
Offset



Integral-Gain



Z-Control	Steuerplatine	
TITLE: SCHUL-STM8		
Document Number:		REV:
Date: 03.03.2004 12:34:24		Sheet: 2/4



Control-Box

TITLE: SCHUL-STM8

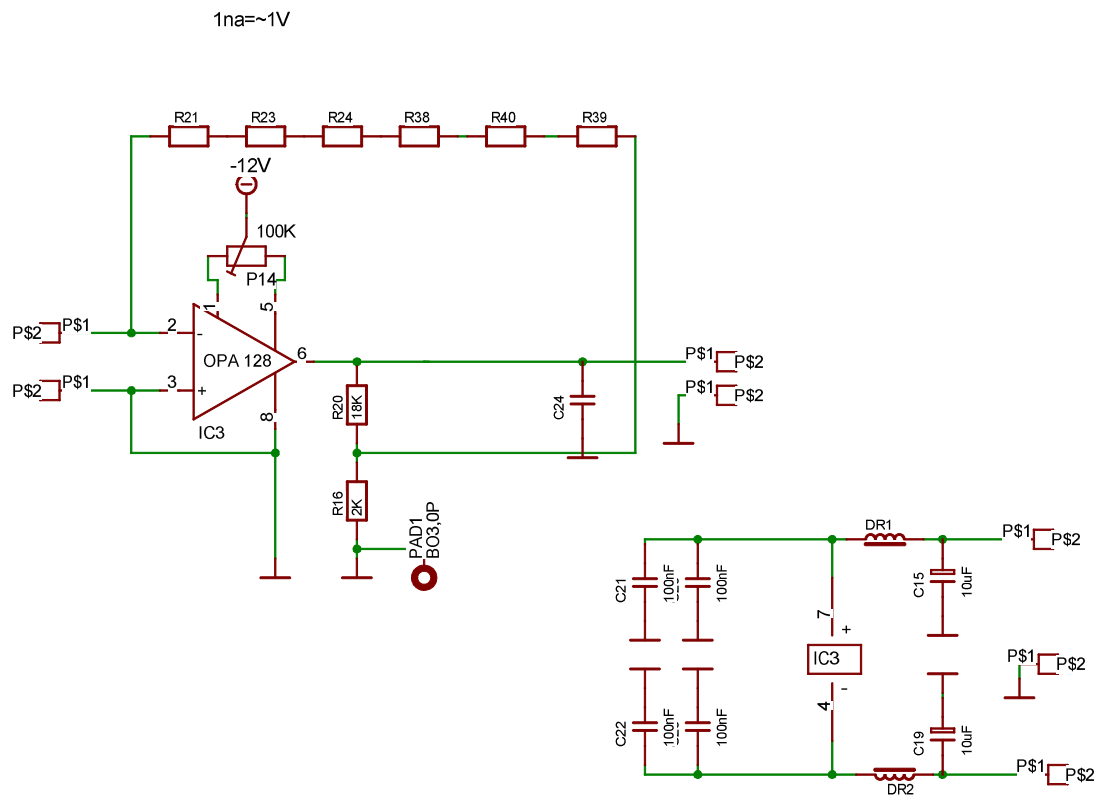
Document Number:

REV:

Date: 03.03.2004 12:34:24

Sheet: 3/4

Pre-Amplifier



Tunnel-Verstärker

TITLE: SCHUL-STM8

Document Number:

REV:

Date: 03.03.2004 12:34:24

Sheet: 4/4