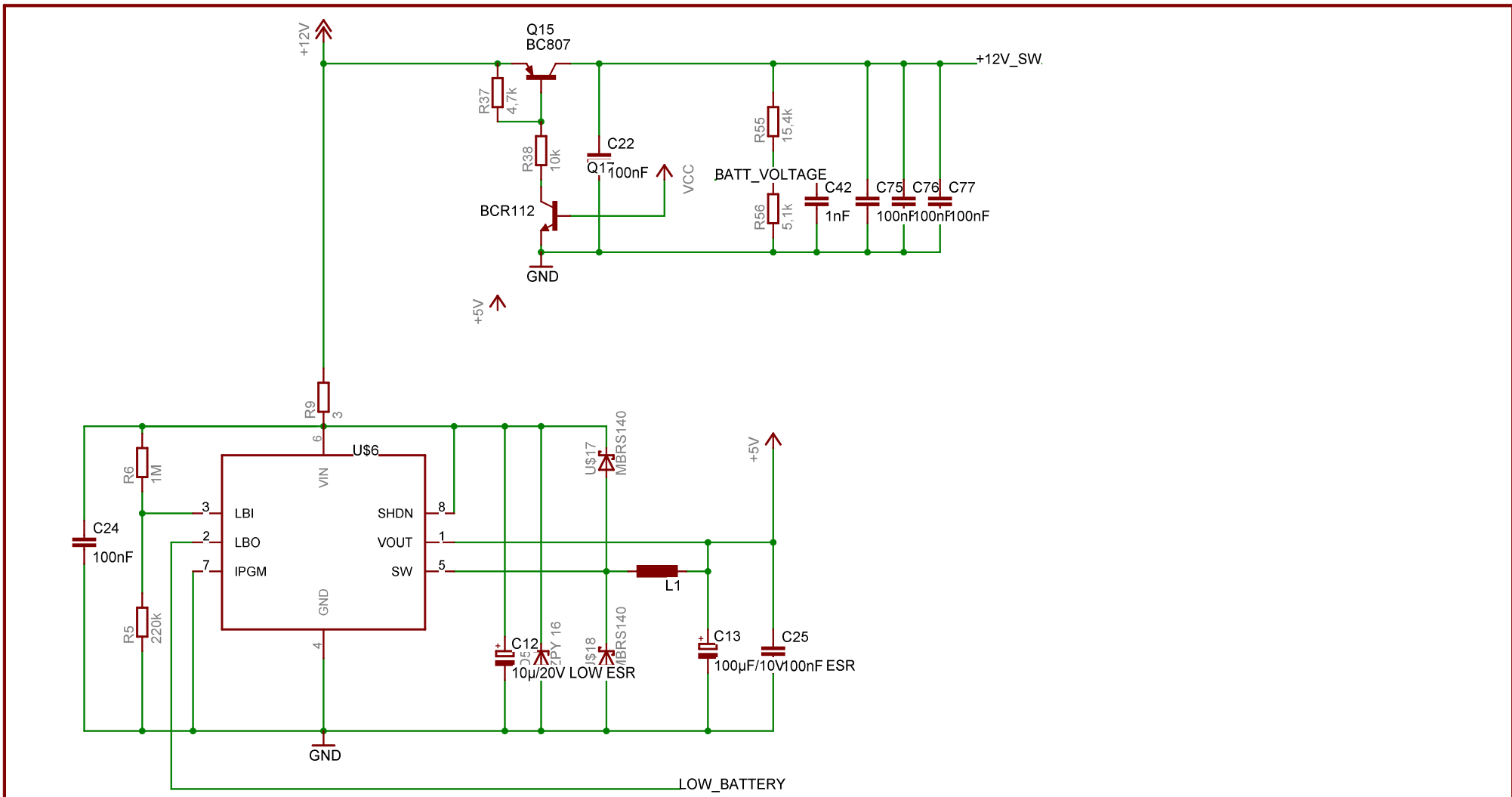
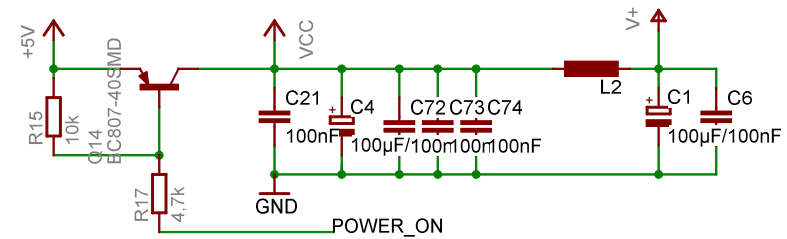
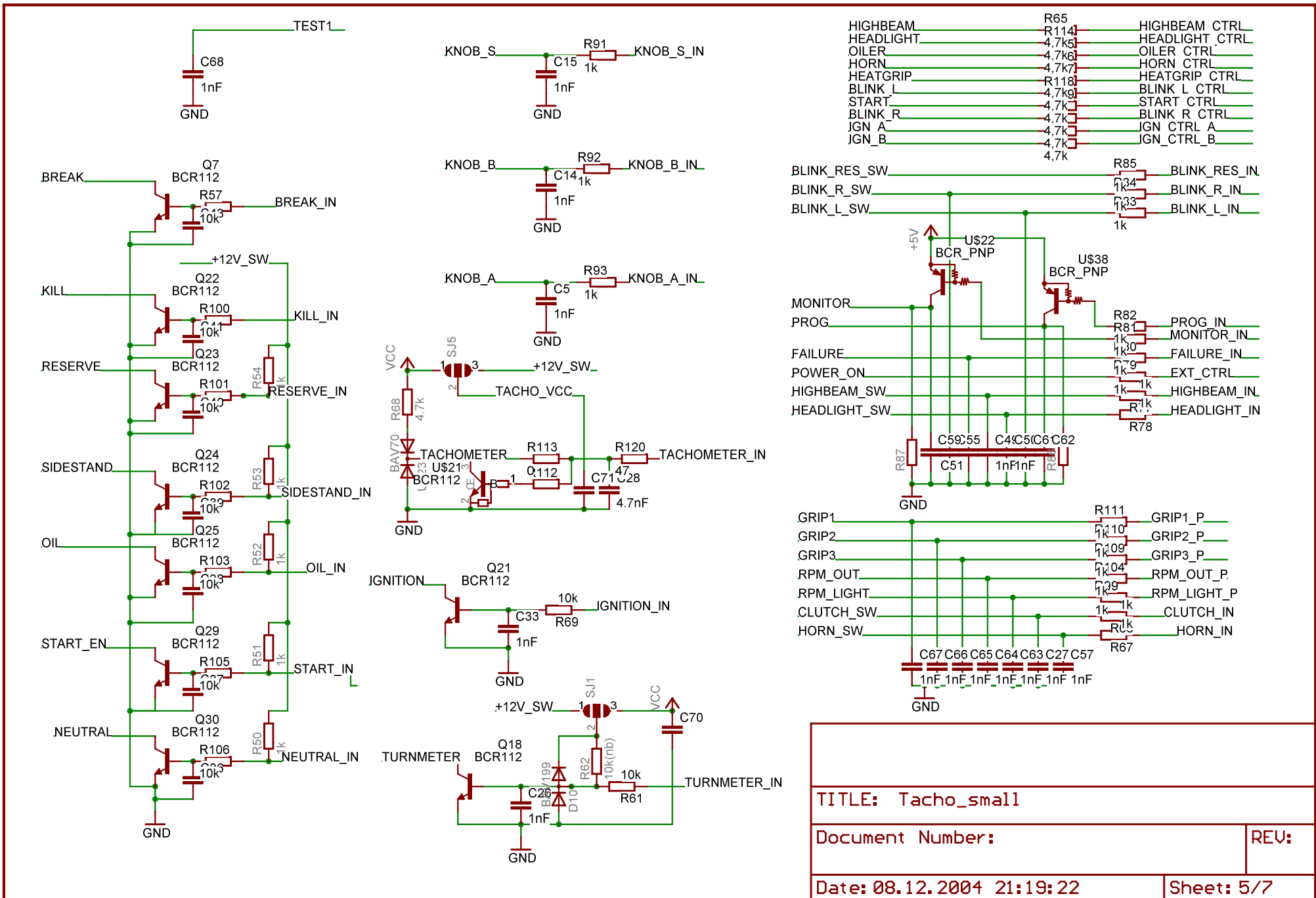


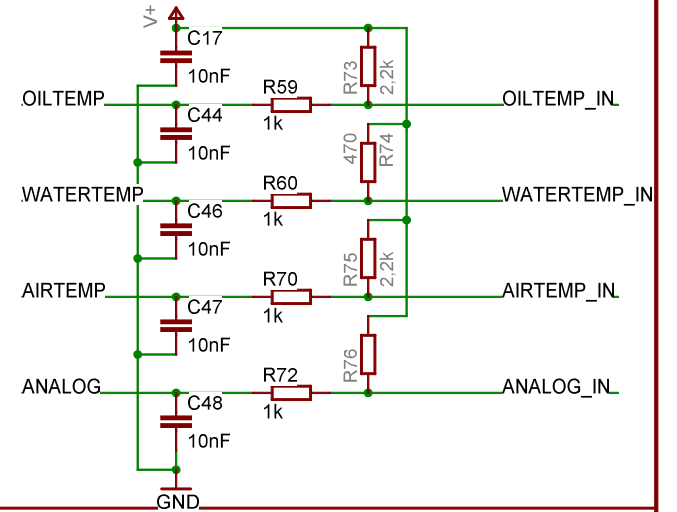
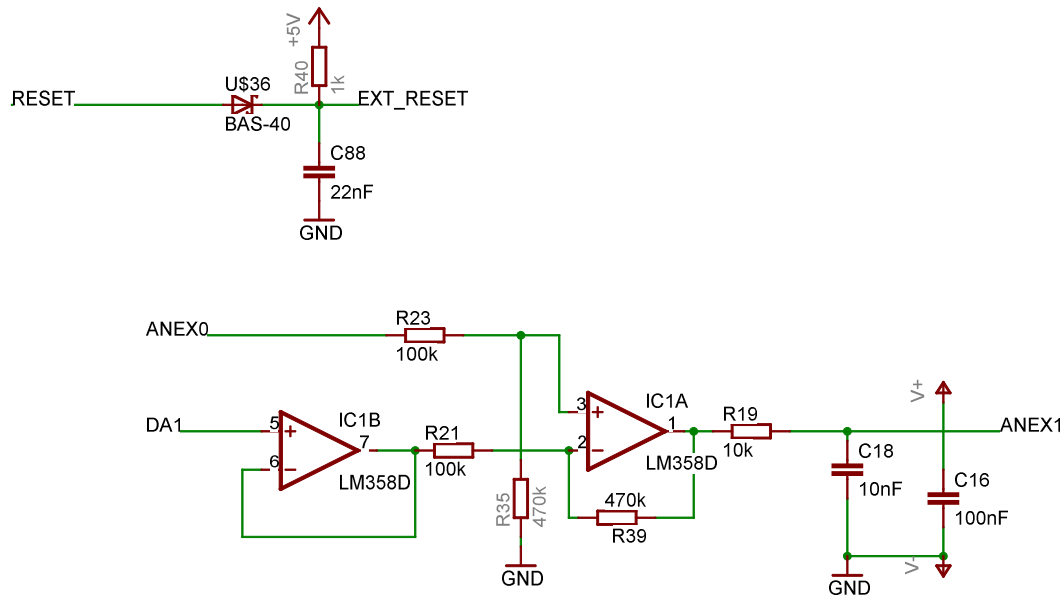
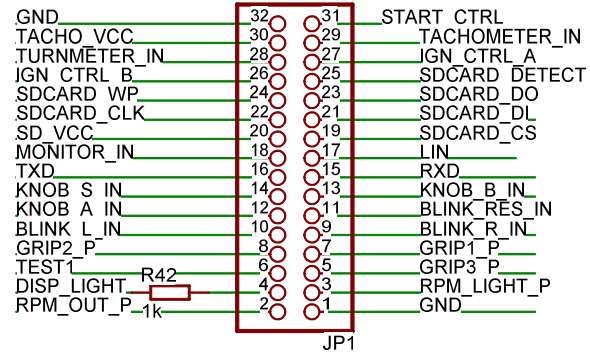
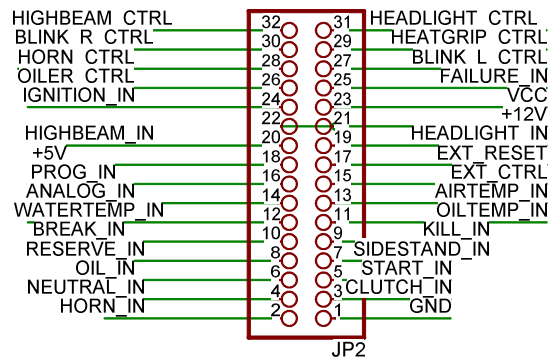
TITLE: Tacho_small	
Document Number:	REV:
Date: 08.12.2004 21:19:22	Sheet: 3/7



TITLE: Tacho_small	
Document Number:	REV:
Date: 08.12.2004 21:19:22	Sheet: 4/7







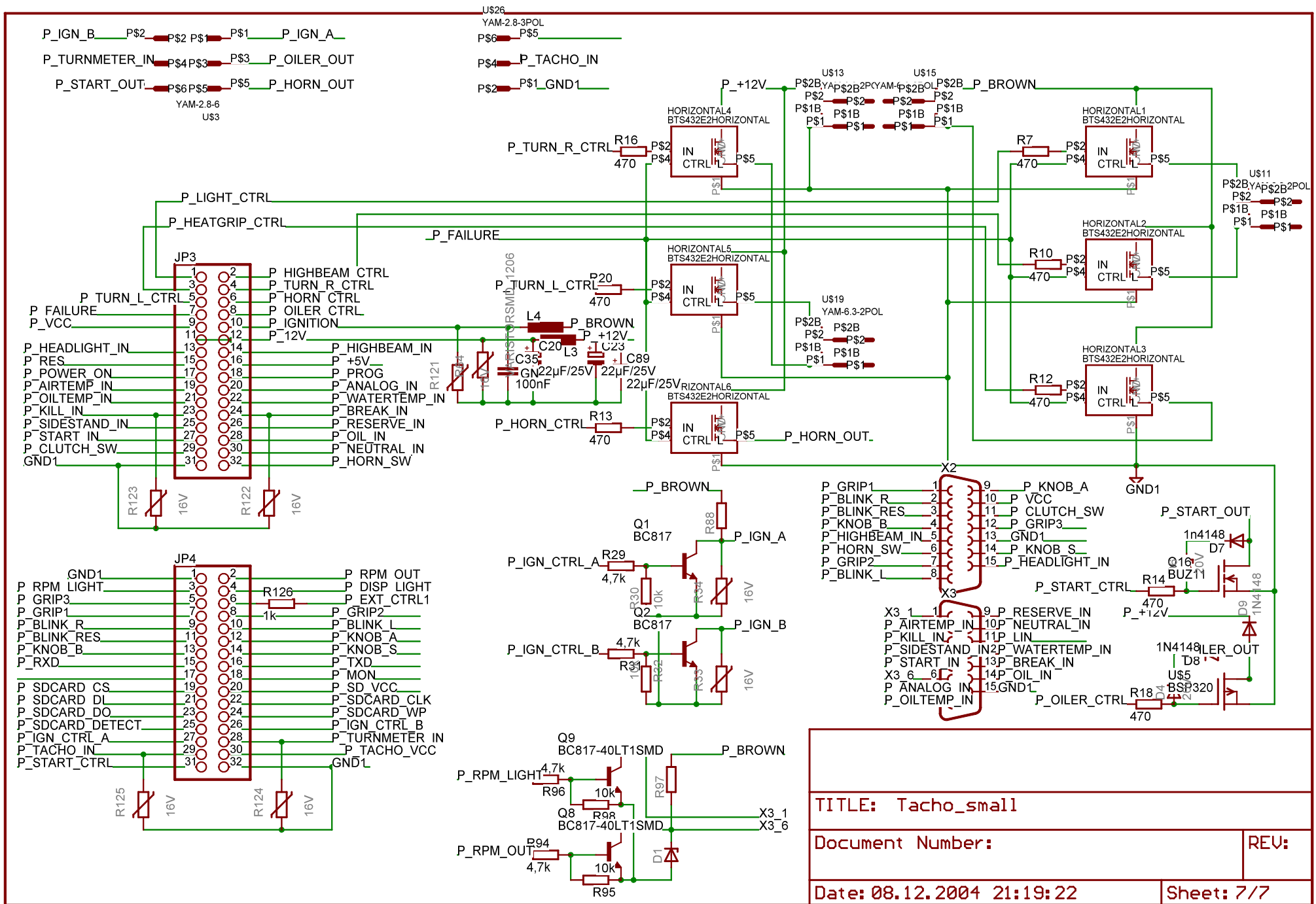
TITLE: Tacho\_small

Document Number:

REV:

Date: 08.12.2004 21:19:22

Sheet: 6/7



TITLE: Tacho_small	
Document Number:	REV:
Date: 08.12.2004 21:19:22	Sheet: 7/7