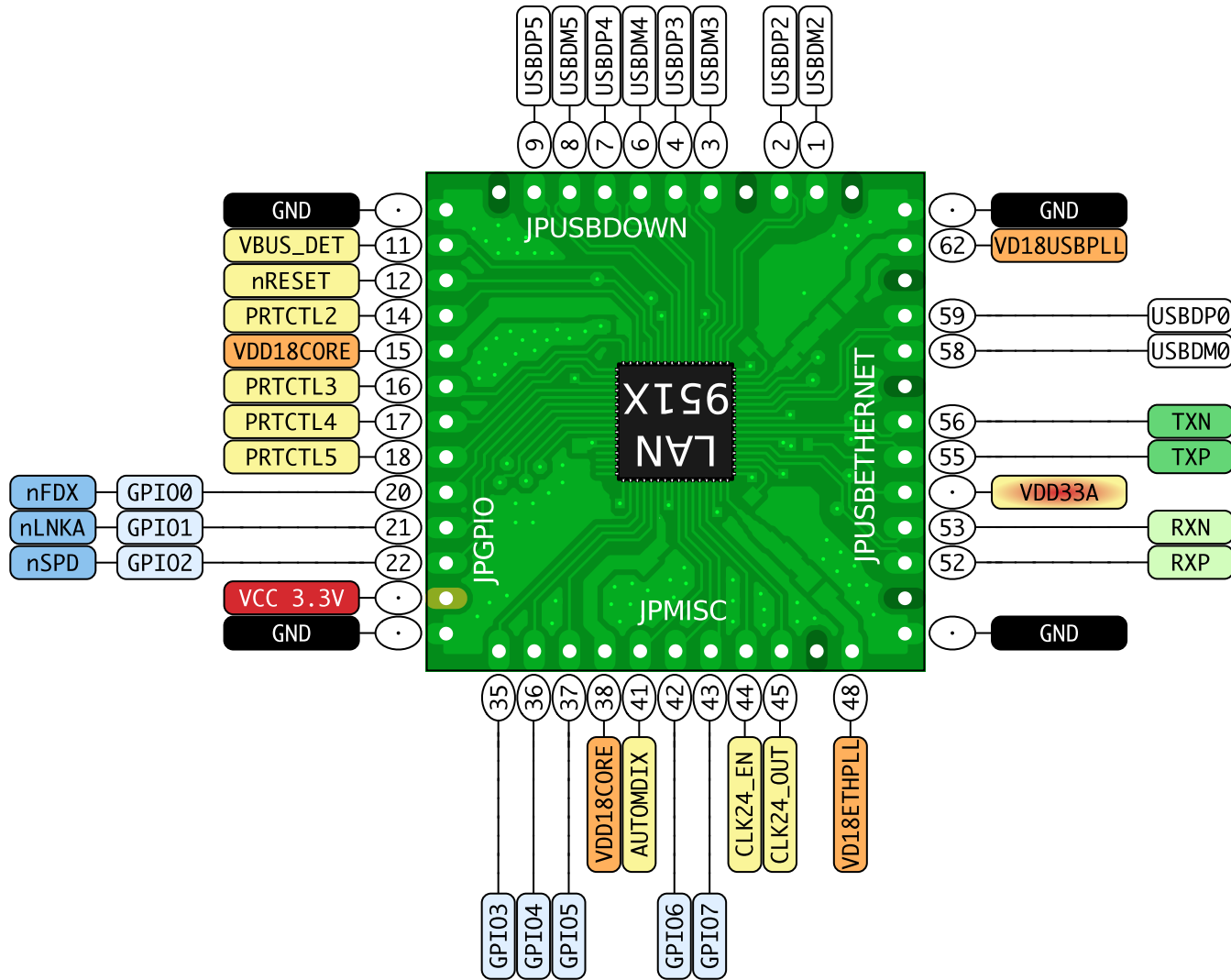


# LAN951X-BOARD

## PINOUT DIAGRAMM



- GND
- Power (Vcc 3.3V)
- Board Interconnects
- Physical Pin
- Config & Passives
- USB Data Lines
- Analog Ethernet In
- Analog Ethernet Out
- GPIO Pins
- Status LEDs