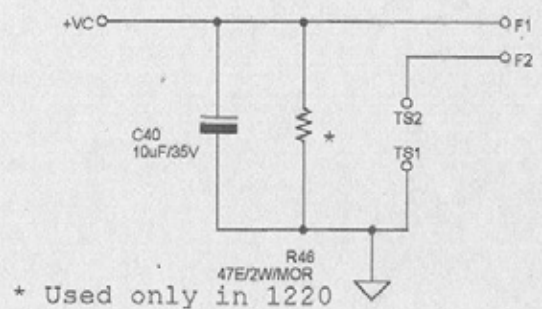
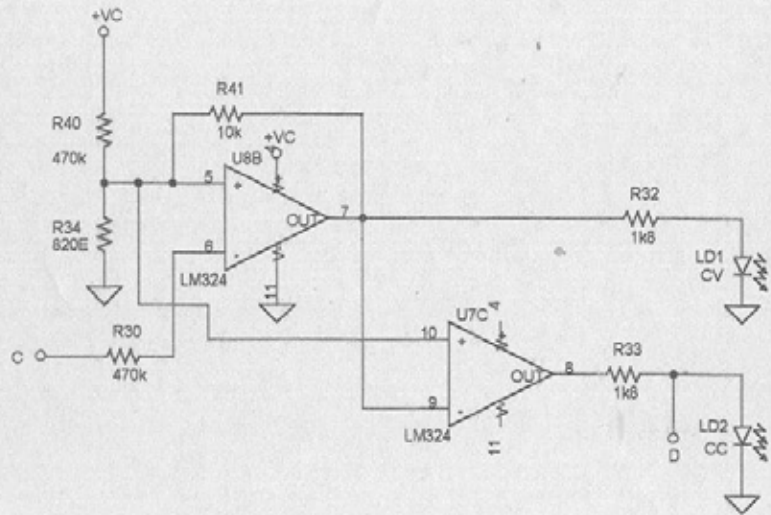


NO	DESCRIPTION	APP	CHK	DATE
AMEND				
SONODYNE INTERNATIONAL LTD., MUMBAI.			DATE :- 03/01/06	
SCHEMATIC CIRCUIT DIAGRAM OF 4010 TXFR. PCB				
DRG NO. SIL/16/0393	DRN. BY GKS	CHD. BY GAURAV	APPD. BY S.R. Shinde	REV. 00



NO	DESCRIPTION	APP	CHK	DATE
AMEND				
			DATE :- 08/11/05	
SCHEMATIC CIRCUIT DIAGRAM OF CV-CC (VSP SERIES)				
DRG NO. SIL/16/0389	DRN. BY Prasanna	CHD. BY GAURAV	APPD. BY S.R. Shinde	REV. 00