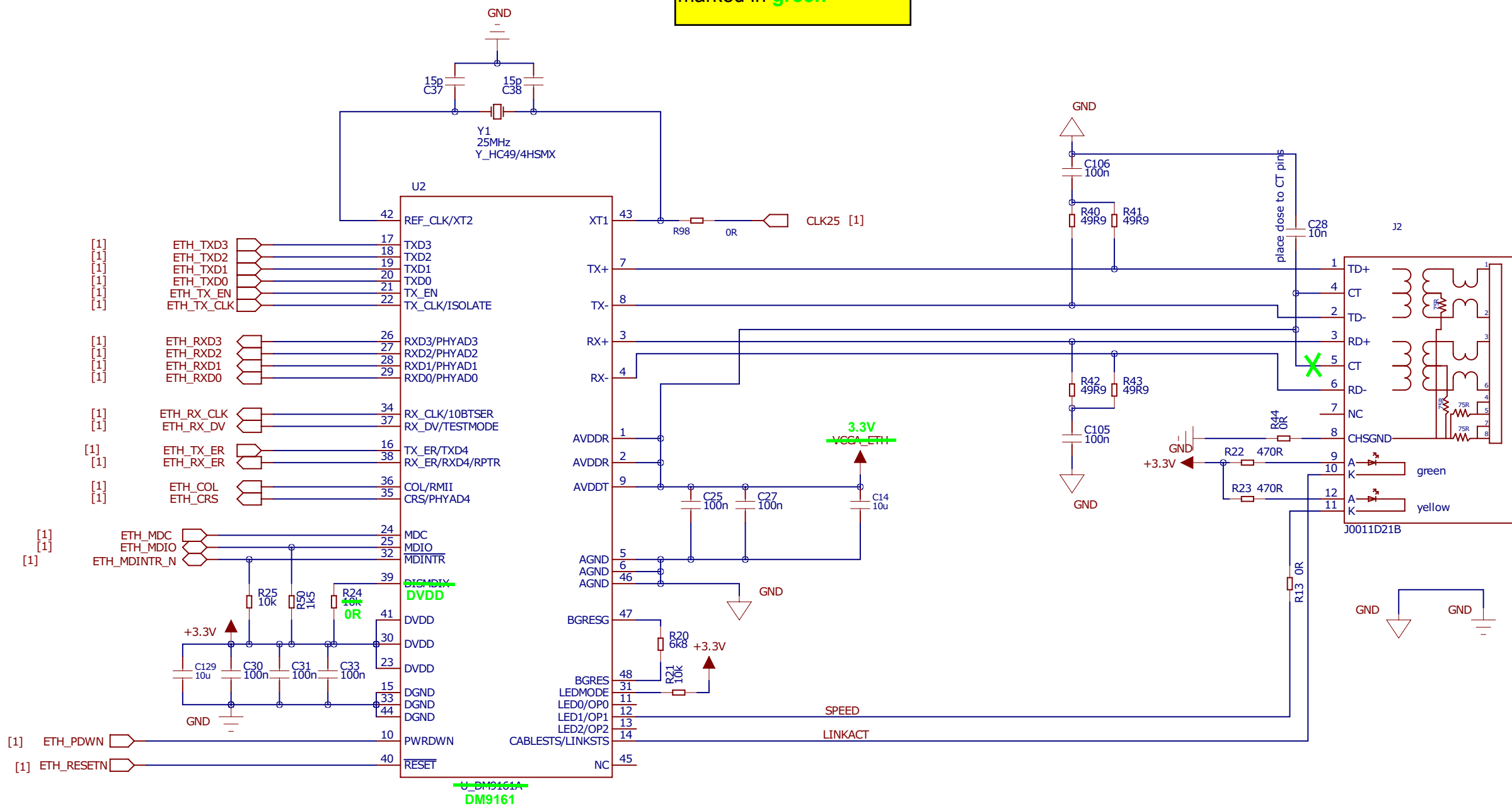
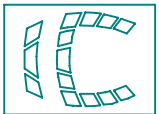


Changes in board layout for use of DM9161 (instead of DM9161A) are marked in green



GNU/GPL2 (contact: office@in-circuit.de)
(C) by In-Circuit GmbH, Germany

		In-Circuit GmbH Königsbrücker Str. 69 D-01099 Dresden	
PROJECT TITLE:			
ICnova AP7000 Base / Grasshopper			
BOARD NO	SHEET TITLE	SIZE:	REV:
615000001A	ETHERNET	A3	A
DRAWN:	DATED:	RELEASED:	DATED:
Jörg Träger	11.02.2008	Jörg Träger	11.02.2008
CHECKED:	DATED:	LAST SAVED	SHEET: 4 OF 7
Karsten Stork	11.02.2008	11.02.2008	