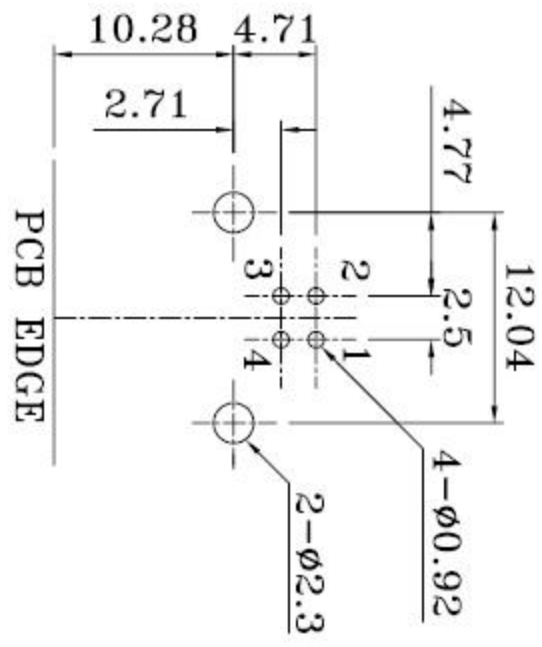
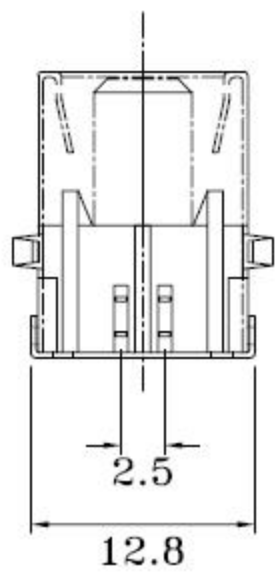
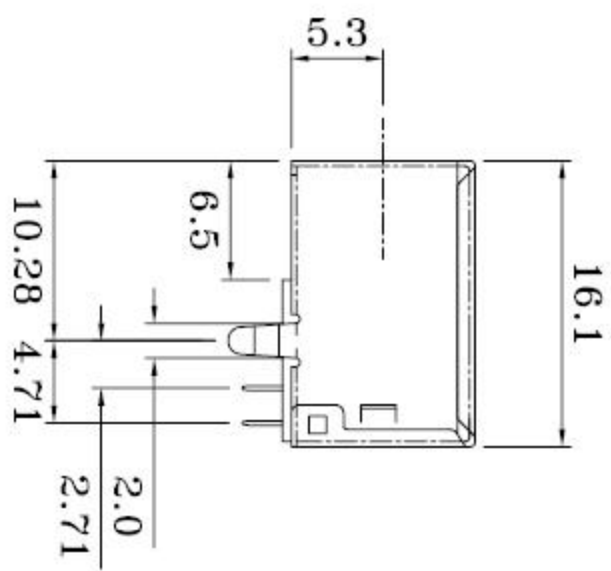
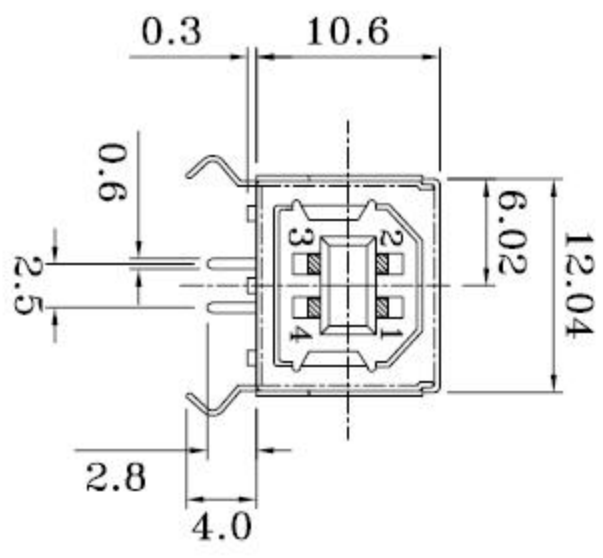


DESCRIPTION CONTROL			
REV	DESC	DATE	ECN NO



(COMPONENT SIDE)  
PCB LAYOUT

NO.	NAME	MATERIAL	FINISH	REMARK	Q'TY
1	HOUSING	P.B.T. G.F.	WHITE		1
2	PIN TERM.	PHOS. BRONZE T:0.25	GOLD/TIN PLATED	Ni:1~1.5u ; TIN:3u GOLD:30 /4u	4
3	SHELL	BRASS T:0.3	NICKEL PLATED	NI:2~3u	1

ROHS COMPLIANT

<p>DRAWN BY: </p> <p>CHECKED BY: </p> <p>APPROVED BY: </p>	<p>ITEM: <b>186-0420132</b></p> <p>SCALE: NONE</p> <p>CUSTOMER: </p> <p>CUSTOMER P/N:</p>
<p>DATE: 05/08/04</p> <p>PAGE: 1/1</p>	<p>REV: R</p>

ALL DIMENSIONS IN mm (UNLESS OTHERWISE SPECIFIED)