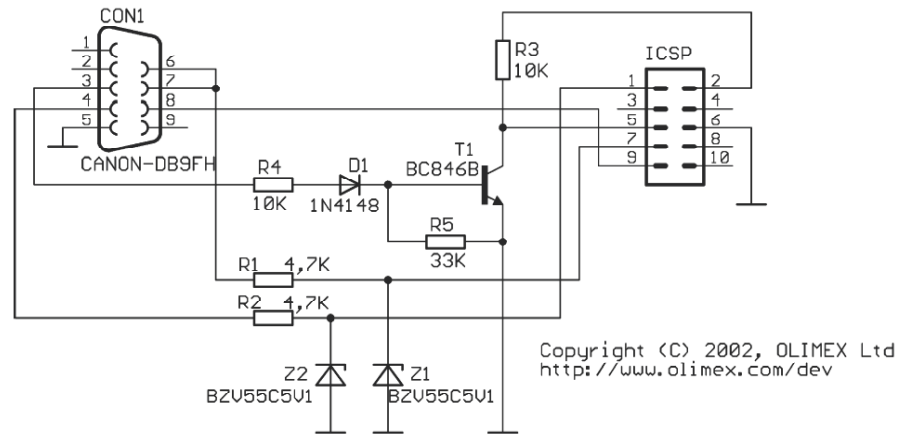


Keyspan  
USB-to-Serial  
Adaptor  
USA-19HS



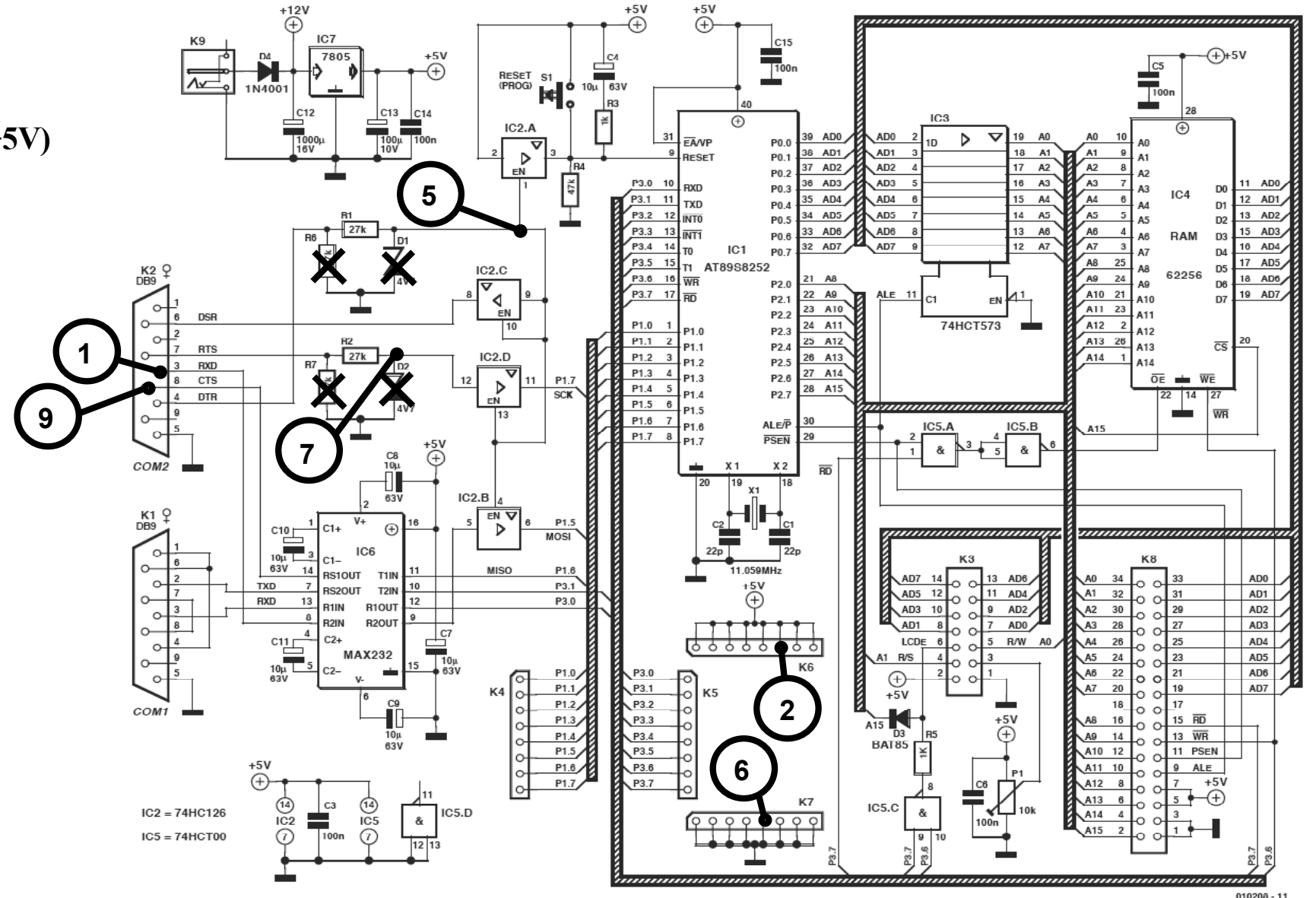
AVR-PG1B (SERIAL PORT) 10 PIN ICSP

MOSI (1) (2) VCC (+5V)

Reset (5) (6) GND

SCK (7)

MISO (9)



AVR- 89S8252 Flash Microcontroller Board