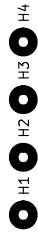
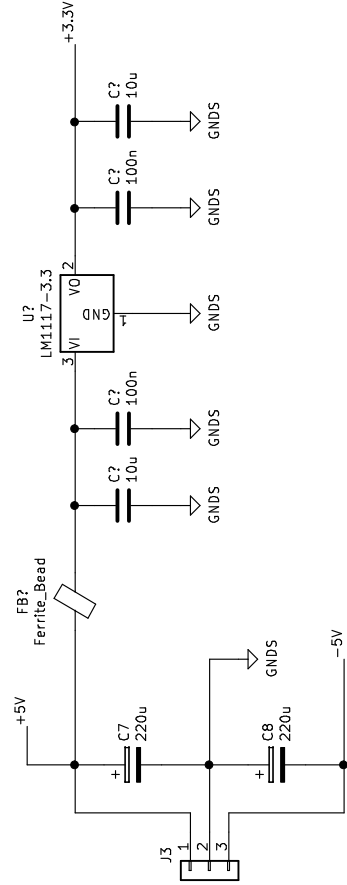
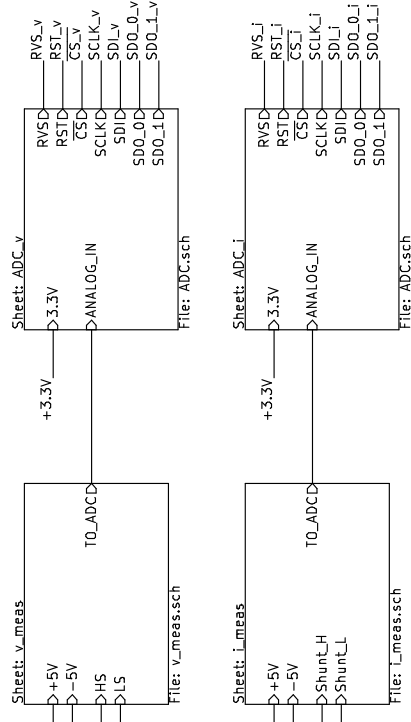
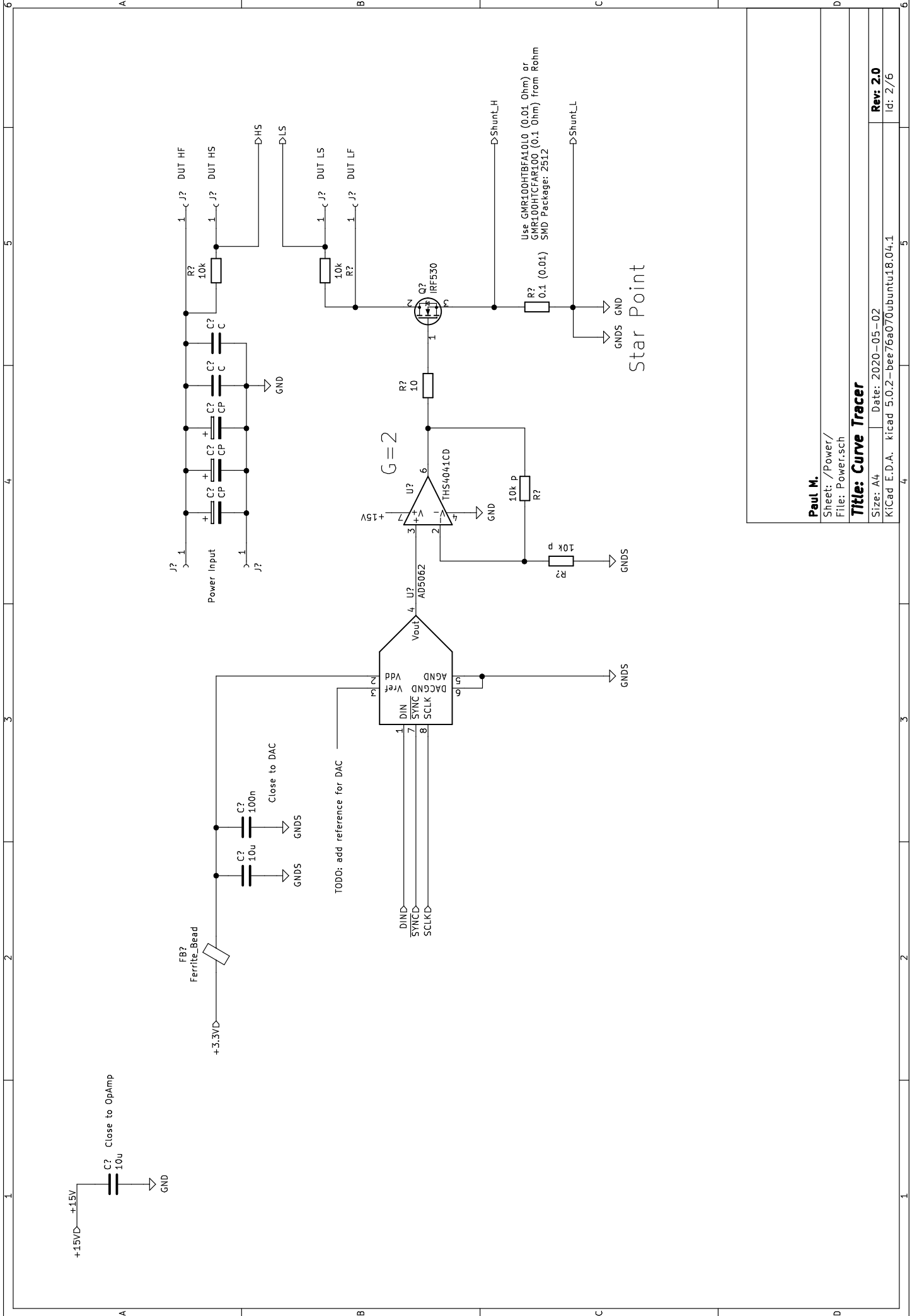


- TODD:
- 1) Select better OpAmps
 - 2) Add Reference for DAC
 - 3) Add isolation for DAC and ADC digital lines



Paul M.
 Sheet: /
 File: Curve_Tracer.sch
Title: Curve Tracer
 Size: A4 | Date: 2020-05-02
 KiCad E.D.A. kicad 5.0.2 - Bee76a070ubuntui8.04.1

Rev 2.0
 Id: 1/6



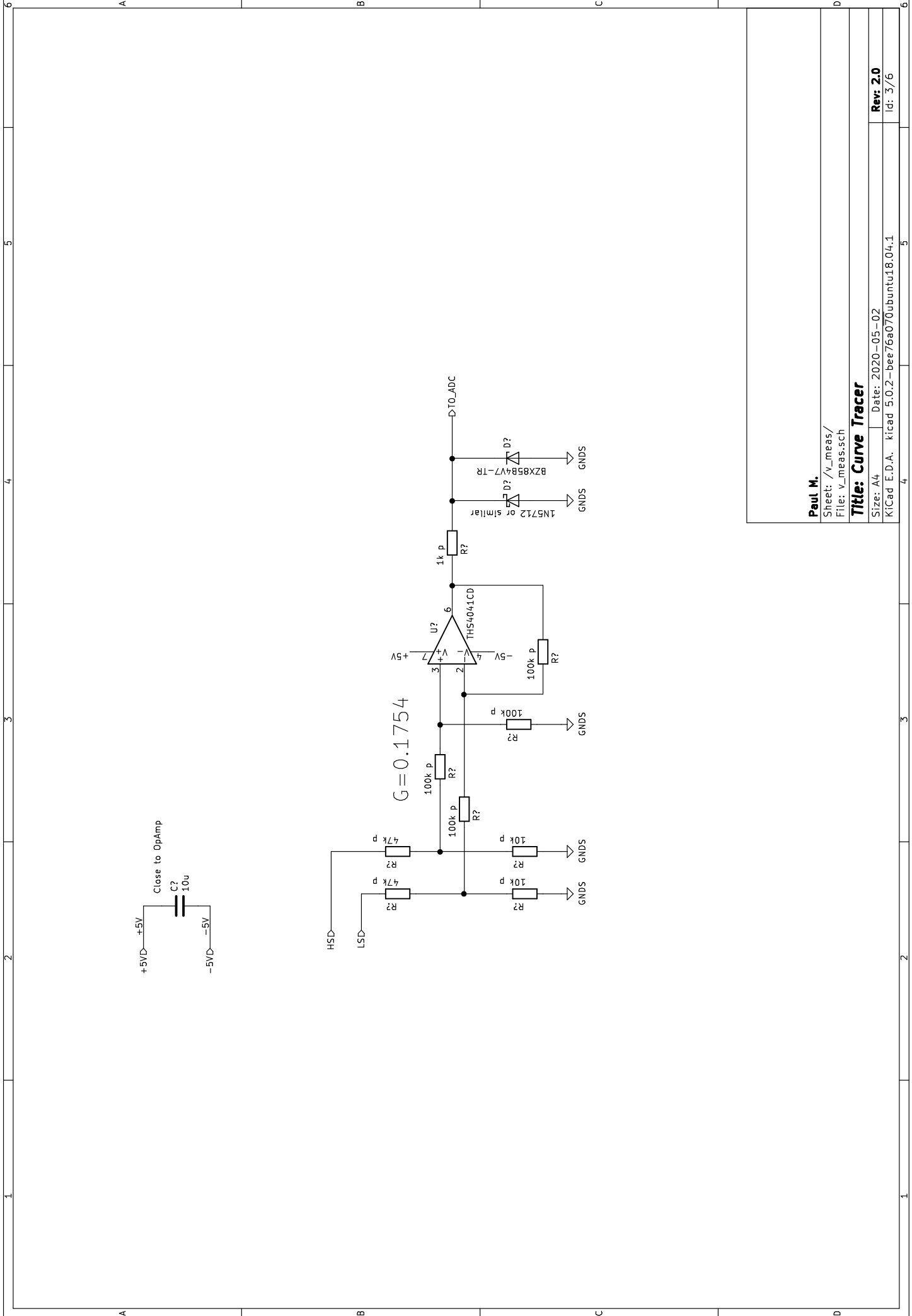
Paul M.

Sheet: /Power/
File: Power.sch

Title: Curve Tracer

Size: A4 Date: 2020-05-02
KiCad E.D.A. kicad 5.0.2 - Bee76a070ubuntui18.04.1

Rev: 2.0
Id: 2/6



Paul M.

Sheet: /v_meas/
File: v_meas.sch

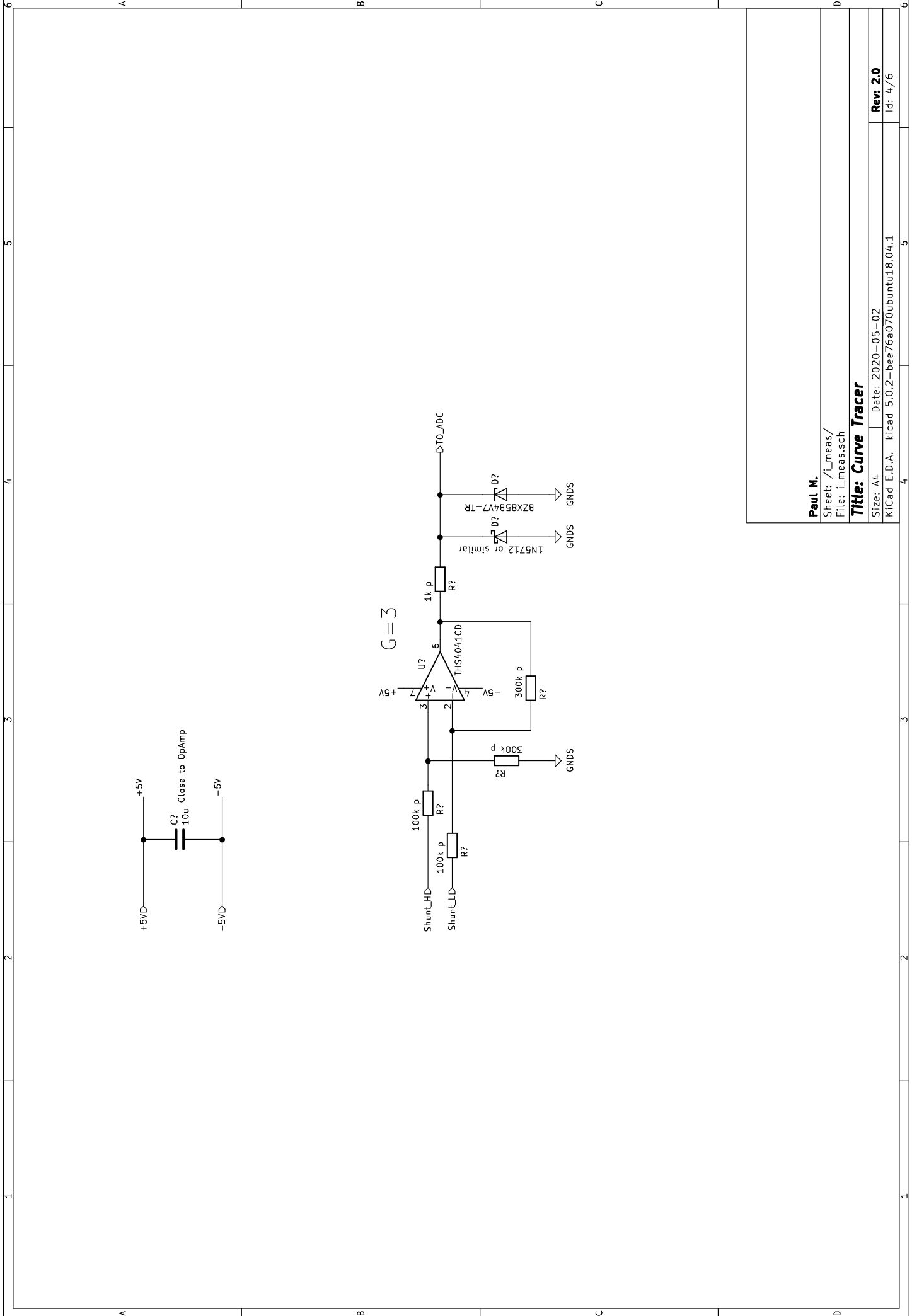
Title: Curve Tracer

Size: A4 Date: 2020-05-02

KiCad E.D.A. kicad 5.0.2 - Bee76a070ubuntui18.04.1

Rev: 2.0

Id: 3/6



Paul M.

Sheet: /L_meas/
File: L_meas.sch

Title: Curve Tracer

Size: A4 Date: 2020-05-02

KiCad E.D.A. kicad 5.0.2 - Bee76a070ubuntui18.04.1

Rev 2.0
Id: 4/6

