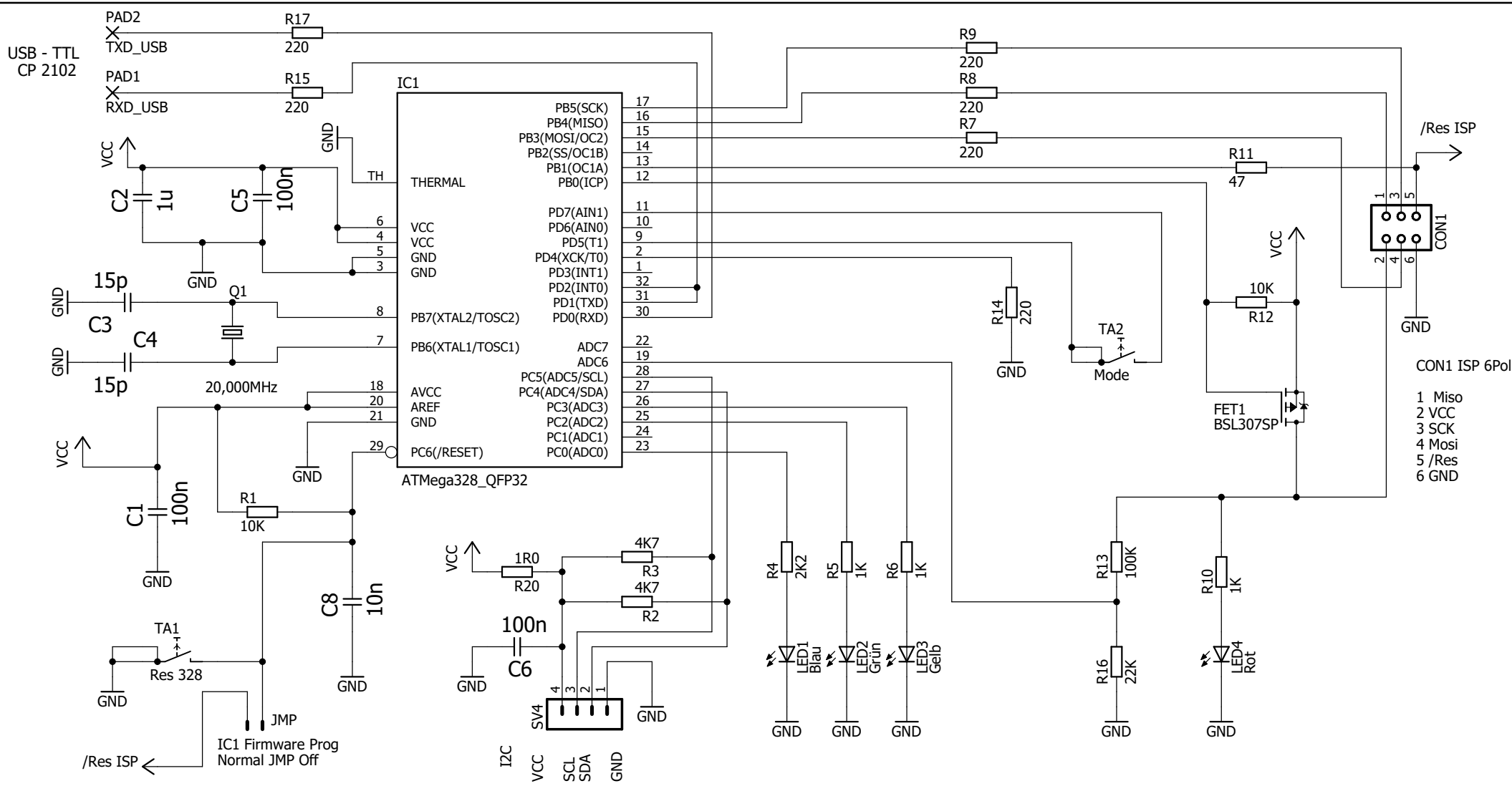


CON1 ISP 6Pol.
 1 Miso
 2 VCC
 3 SCK
 4 Mosi
 5 /Res
 6 GND

TITLE: myAVR_MK2b_01_Original	
Document Number:	REV:
Date: 18.09.2020 17:32	Sheet: 1/1

LED1 Rot blinken bei Daten Übertragung
 LED2 Grün LED3 Grün
 ON OFF AVR911
 OFF ON STX500
 ON ON TWI SPI Mode
 OFF OFF Daten Modus



IC1 Firmware Prog
Normal JMP Off

LED Blau Aktiv
LED2 Grün LED3 Gelb
ON OFF AVR 910/911
OFF ON STK 500
ON ON TWI SPI Mode
OFF OFF Daten Modus
LED Rot VCC ISP

TITLE: myAVR_MK2b_MeineVersion	
Document Number:	REV:
Date: 18.09.2020 17:30	Sheet: 1/1