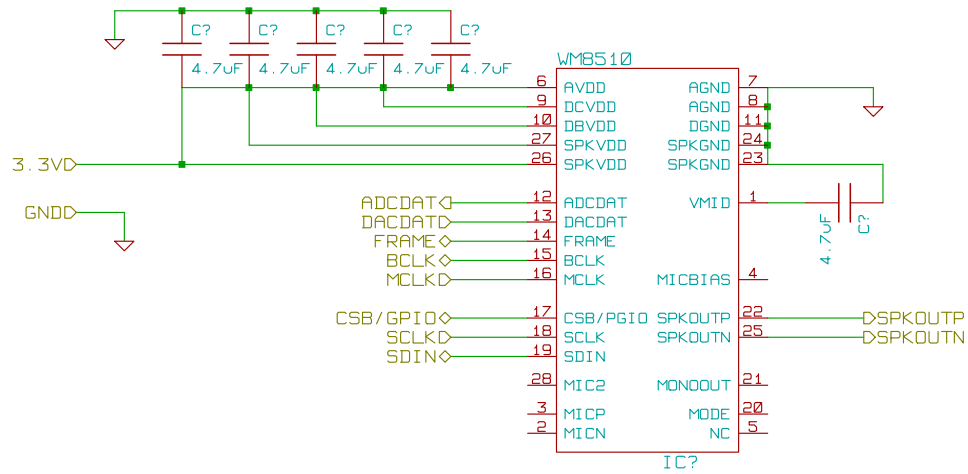
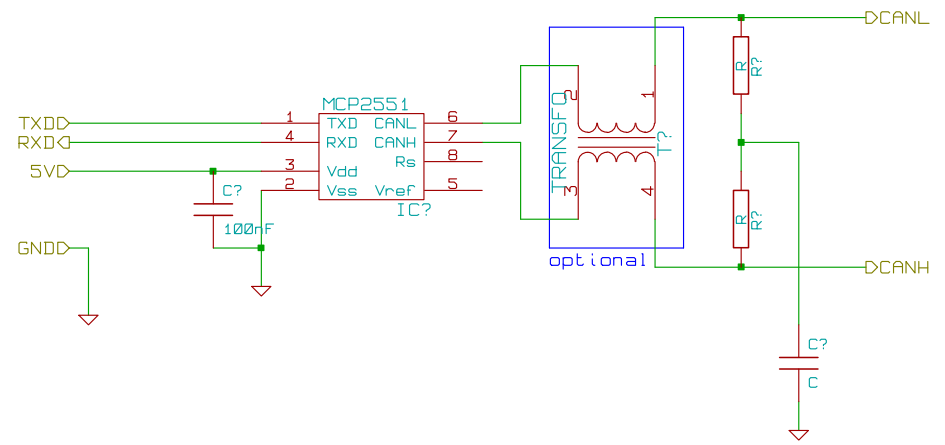


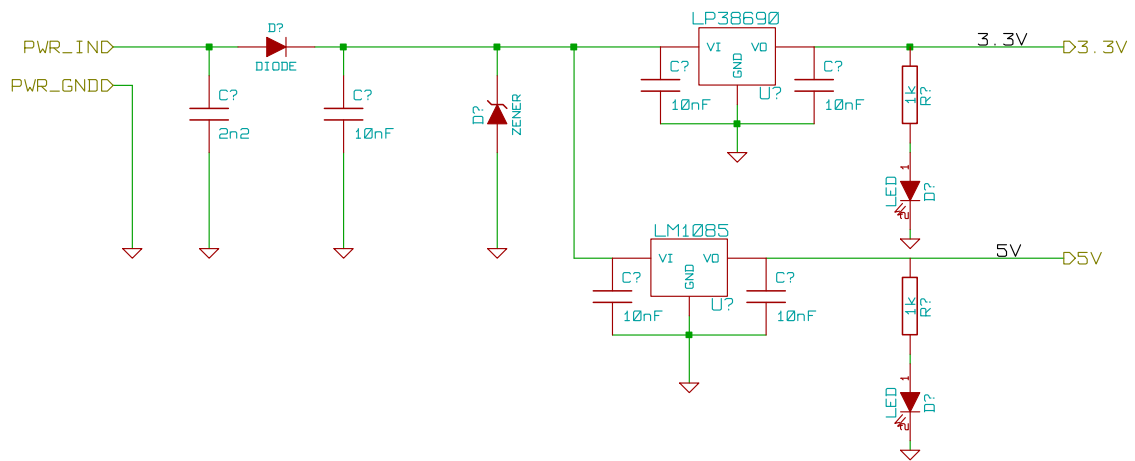
File: mainboard.sch	
Sheet: /	
Title:	
Size: A4	Date: 22 mar 2009
KiCad E.D.A.	EESchema (20080825c)
Rev:	Id: 1/4



File: WM8510_SoundUnit.sch	
Sheet: /	
Title:	
Size: A4	Date:
KiCad E.D.A.	EEschema (20080825c)
Id: 2/4	



File: CAN_Transceiver.sch		
Sheet: /		
Title:		
Size: A4	Date:	Rev:
KiCad E.D.A. EESchema (20080825c)		Id: 3/4



File: PWR_5V_3V3.sch	
Sheet: /	
Title:	
Size: A4	Date:
KiCad E.D.A.	EEschema (20080825c)
Rev:	Id: 4/4