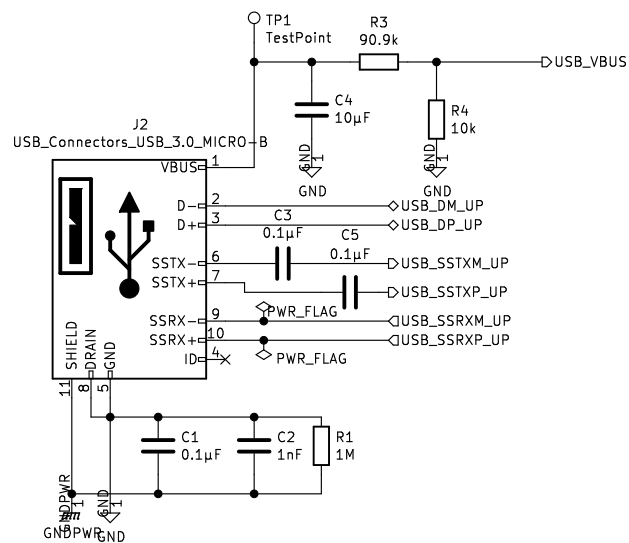
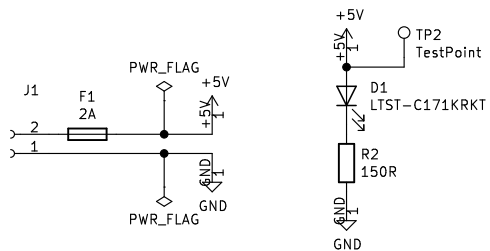
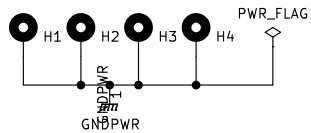


Sheet: /	
File: base-plane.sch	
<b>Title: DevPort Base-Plane</b>	
Size: A4	Date: 2021-02-17
KiCad E.D.A. kicad (5.1.9-0-10_14)	Rev: 0.2
	Id: 1/7



Sheet: /inputs/  
File: inputs.sch

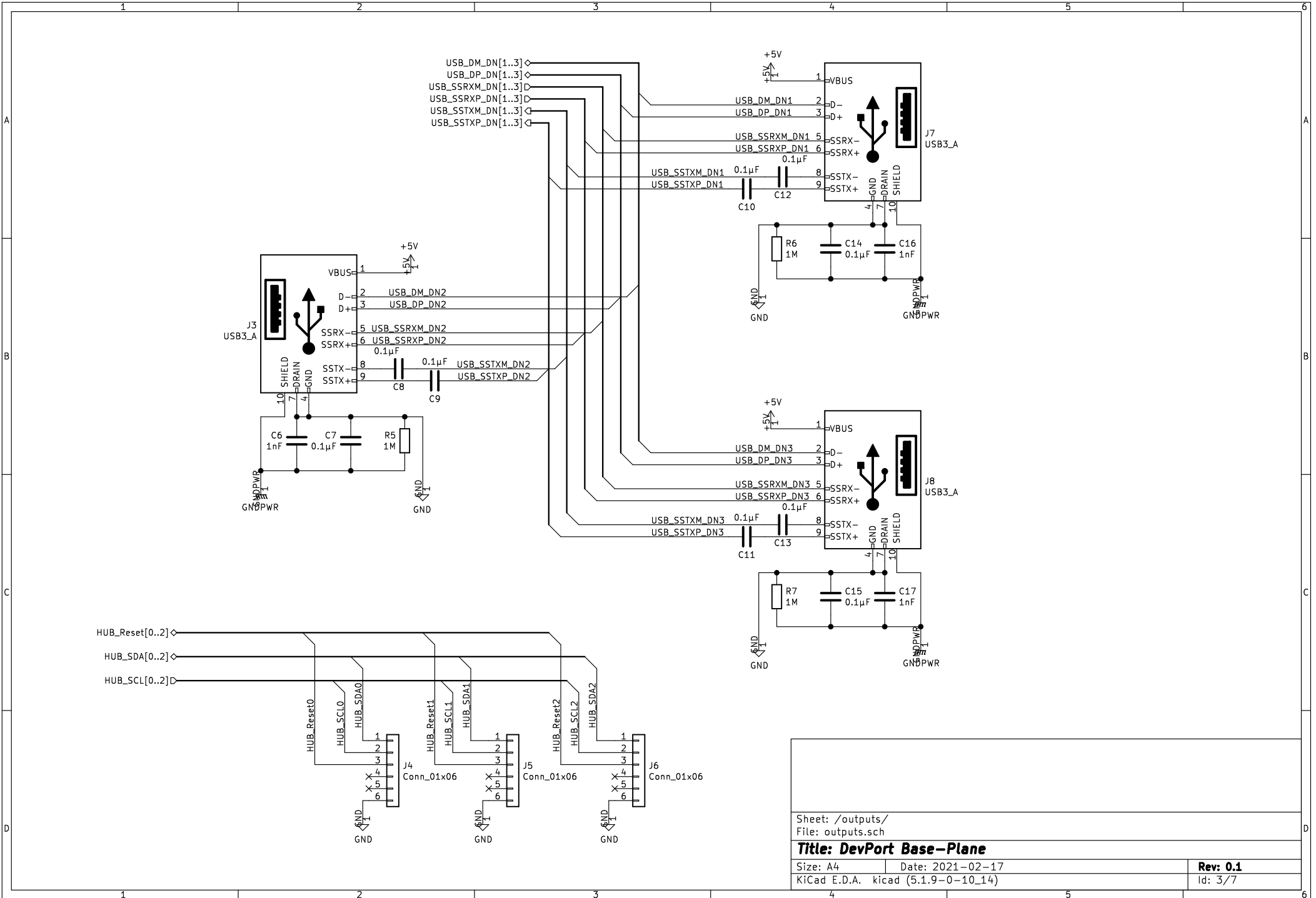
**Title: DevPort Base-Plane**

Size: A4 Date: 2021-02-17

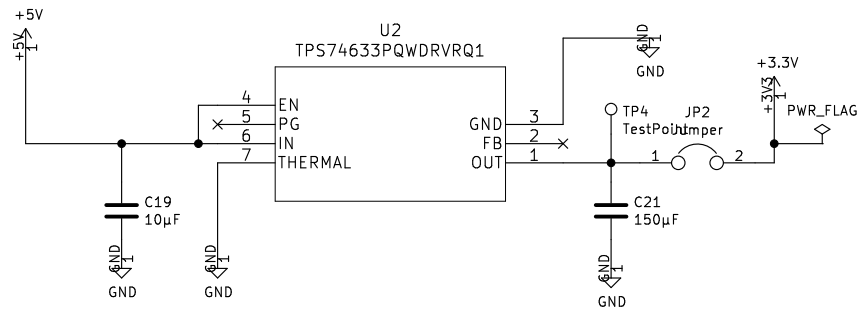
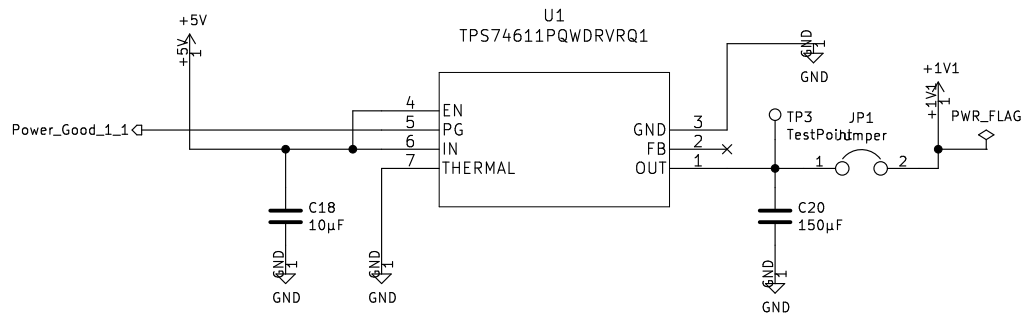
KiCad E.D.A. kicad (5.1.9-0-10\_14)

**Rev: 0.1**

Id: 2/7



Sheet: /outputs/	
File: outputs.sch	
<b>Title: DevPort Base-Plane</b>	
Size: A4	Date: 2021-02-17
KiCad E.D.A. kicad (5.1.9-0-10_14)	Rev: 0.1
	Id: 3/7

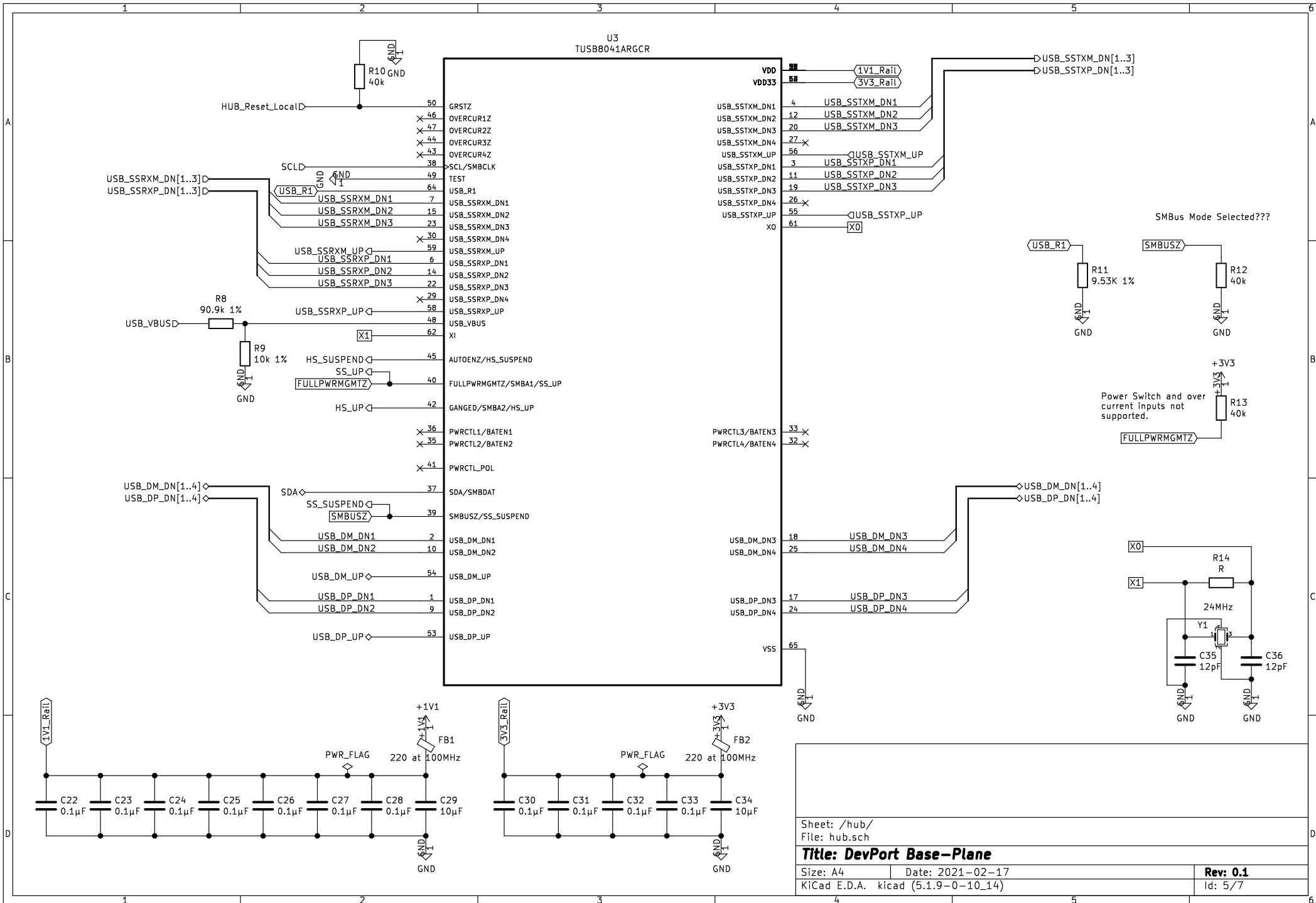


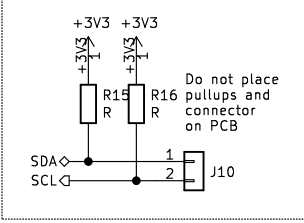
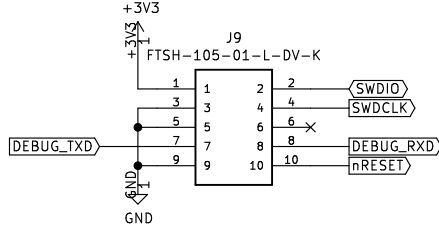
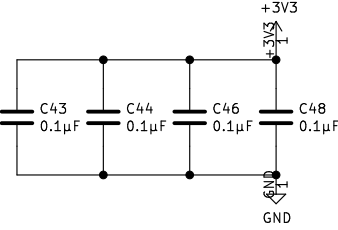
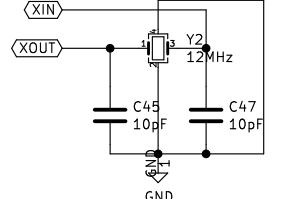
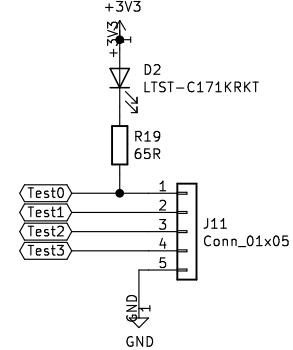
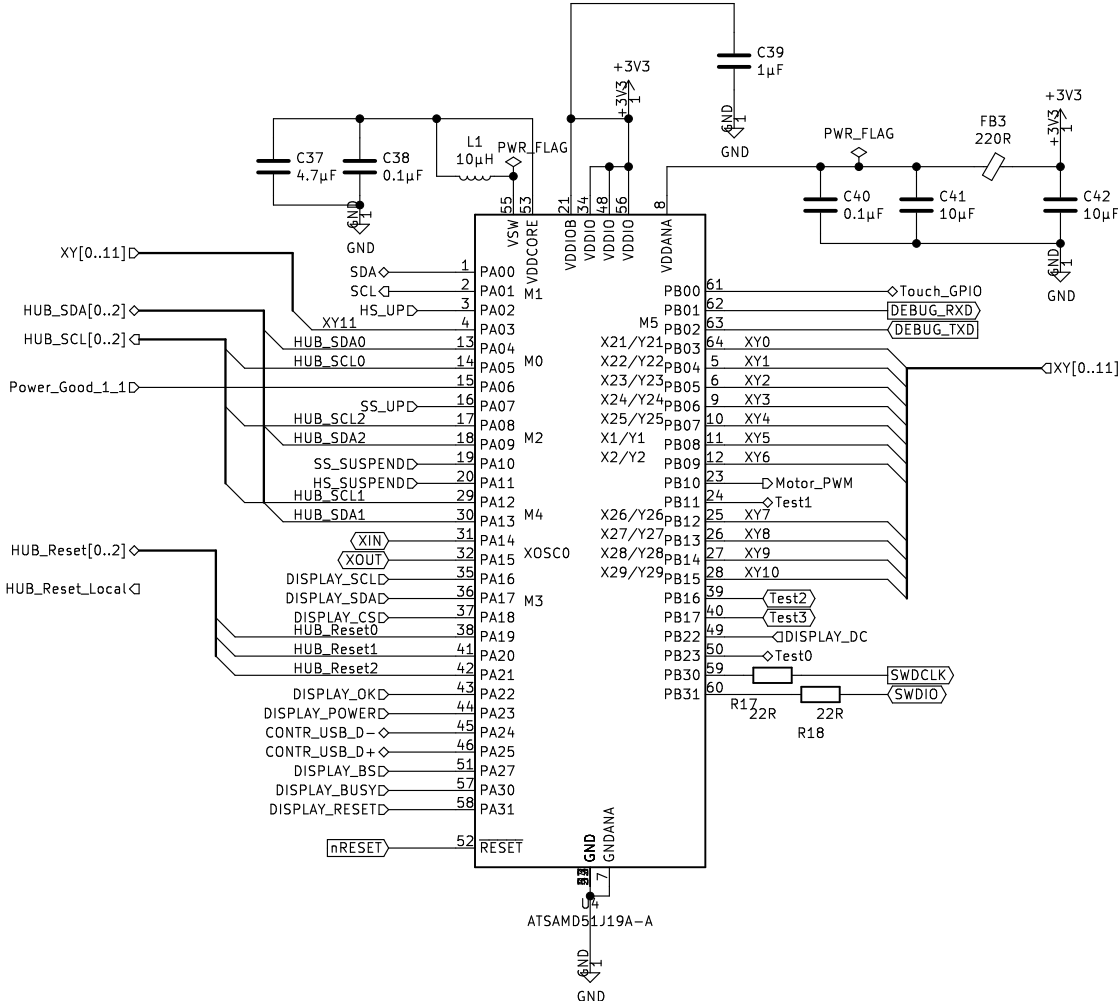
Sheet: /power/  
File: power.sch

**Title: DevPort Base-Plane**

Size: A4 Date: 2021-02-17  
KiCad E.D.A. kicad (5.1.9-0-10\_14)

**Rev: 0.1**  
Id: 4/7





Sheet: /controller/  
 File: controller.sch

---

**Title: DevPort Base-Plane**

Size: A4	Date: 2021-02-17	Rev: 0.1
KiCad E.D.A. kicad (5.1.9-0-10_14)		Id: 6/7

