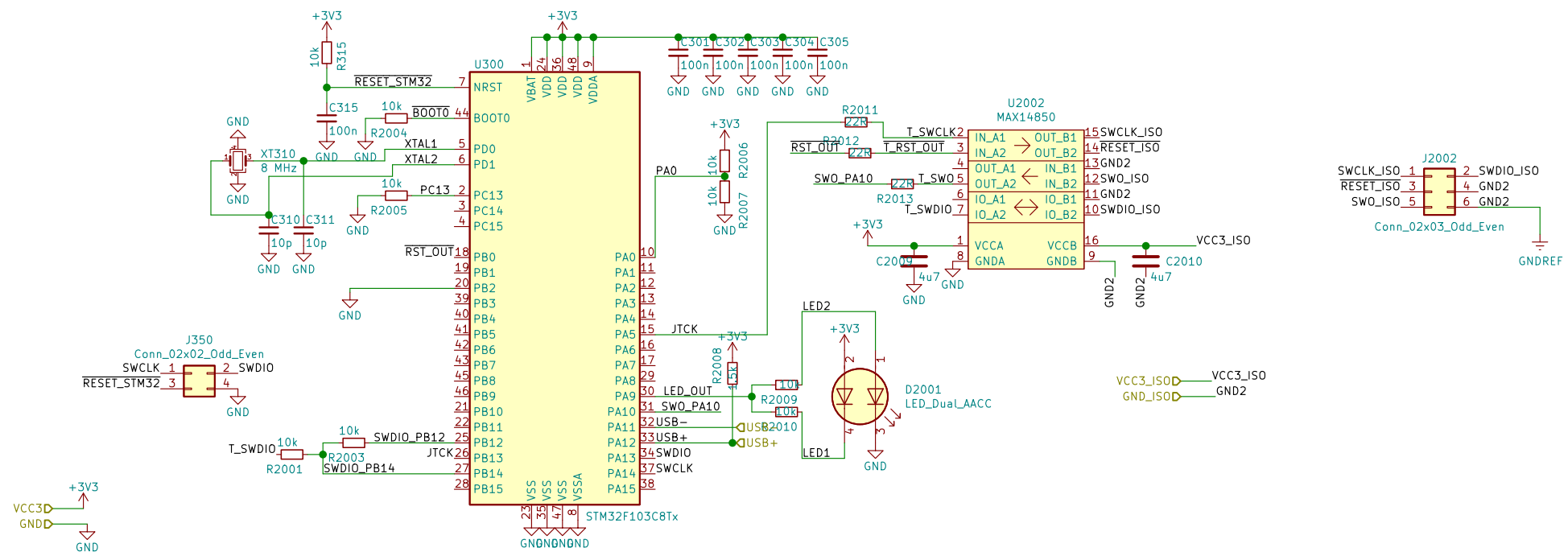
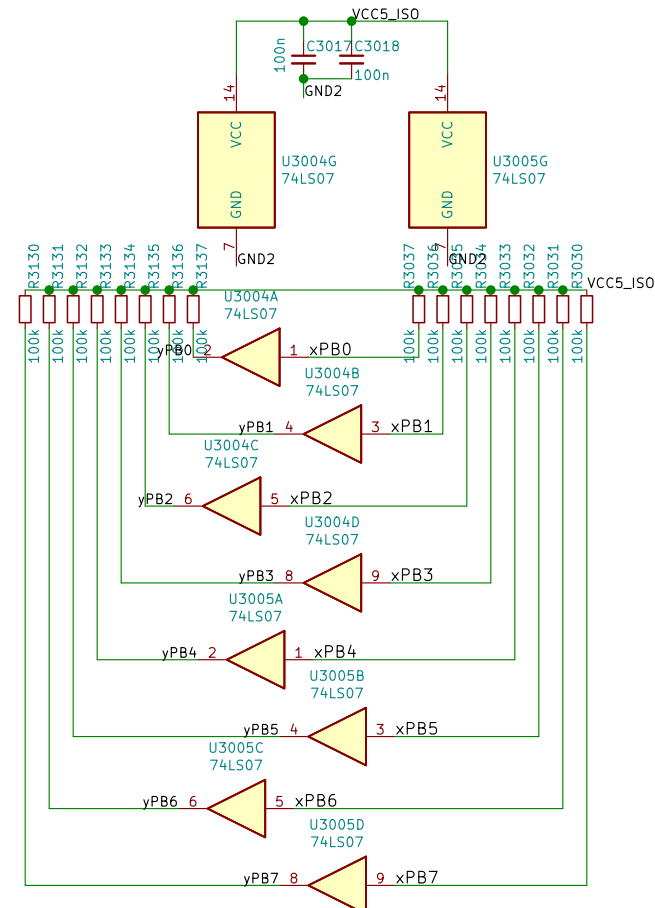
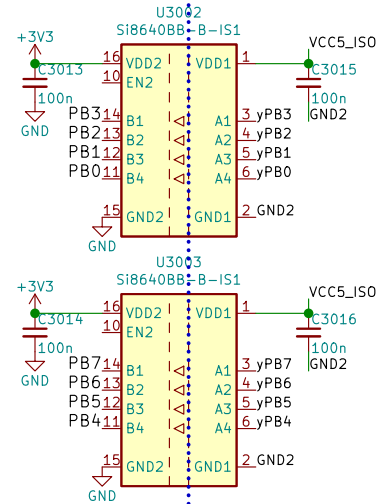
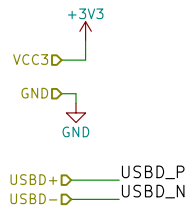
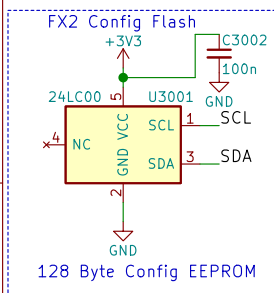
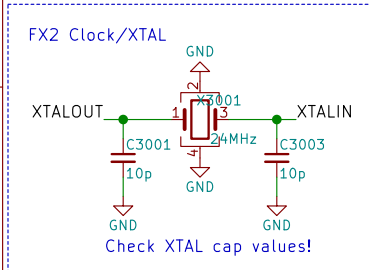
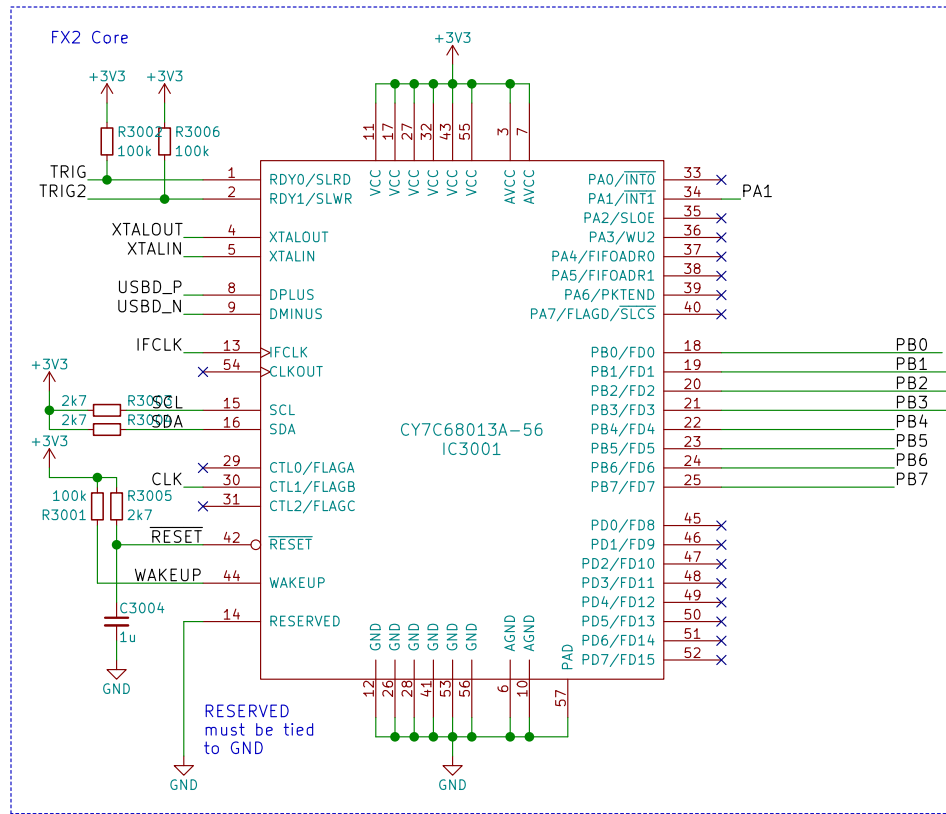
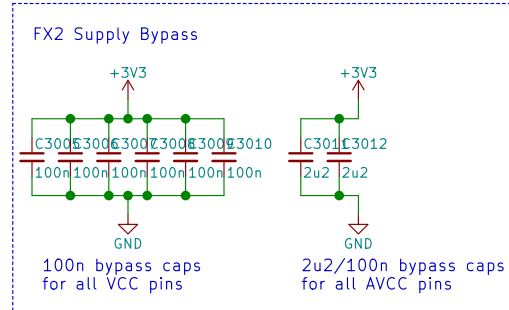


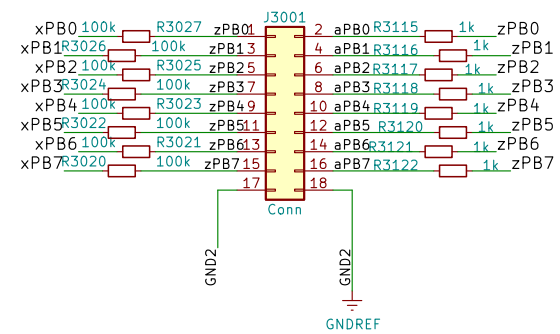
(C) 2017 Piotr Esden-tempski <piotr@esden.net>
 (C) 2017 1BitSquared <info@1bitsquared.com>
 CC-BY-SA V4.0
1BitSquared
 Sheet: /
 File: core.sch
Title: FX2Grok Flat
 Size: A3 Date:
 KiCad E.D.A. eeschema 5.1.5 Rev: V0.2
Id: 1/4

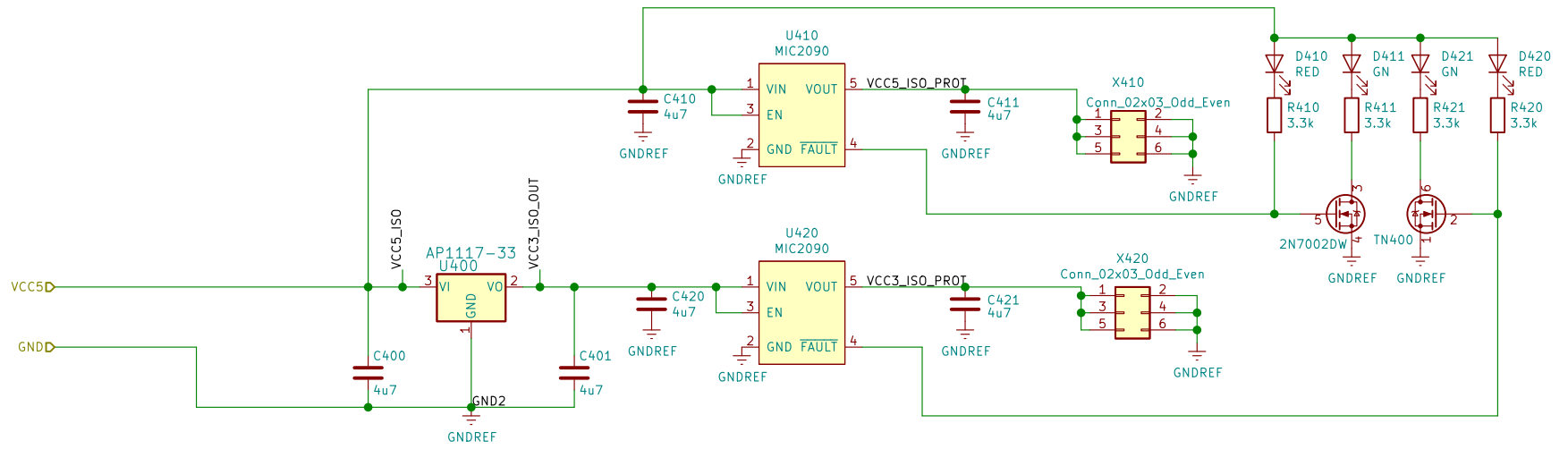


(C) 2017 Piotr Esden-tempski <piotr@esden.net>
 (C) 2017 1BitSquared <info@1bitsquared.com>
 CC-BY-SA V4.0
1BitSquared
 Sheet: /ST-Link/
 File: stlink.sch
Title: FX2Grok Flat
 Size: A3 Date: Rev: V0.2
 KiCad E.D.A. eeschema 5.1.5 Id: 2/4



VCC5_ISO VCC5_ISO
GND_ISO GND2





Sheet: /External Supply/
 File: supply.sch

Title:

Size: A4 Date:
 KiCad E.D.A. eeschema 5.1.5

Rev:
 Id: 4/4