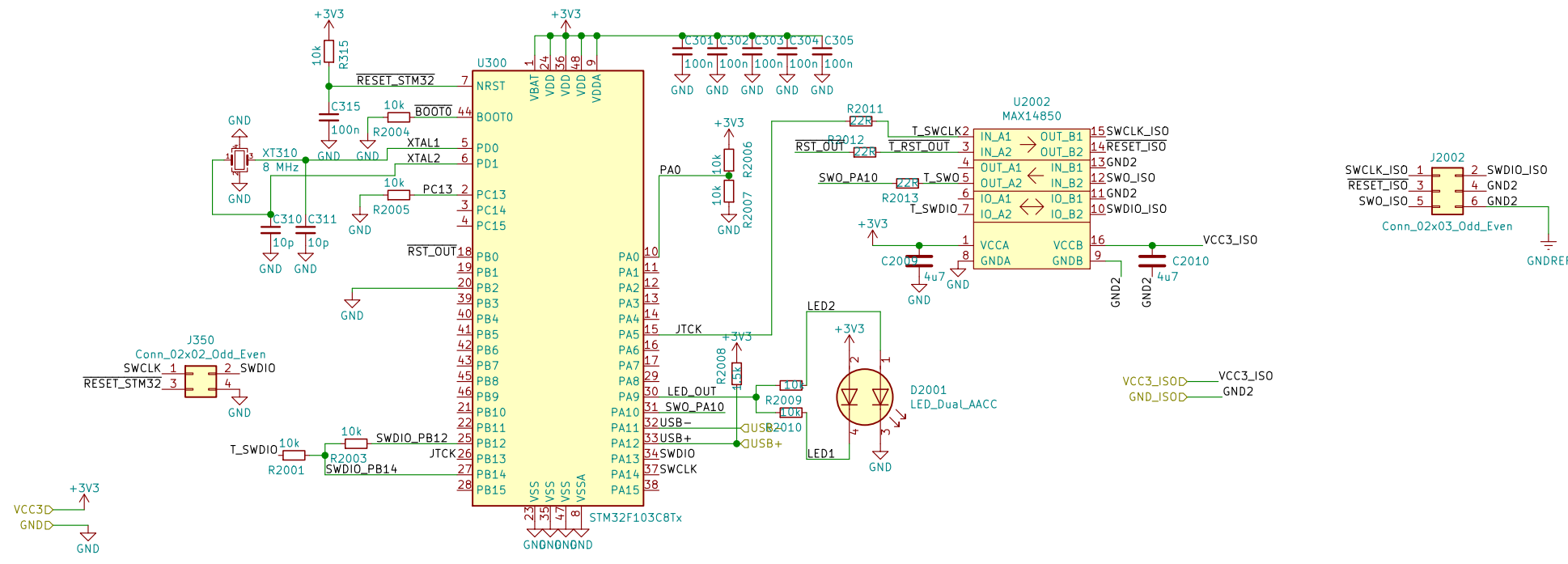


Sheet: /		
File: core.sch		
<b>Title: ElWoMiSa Core</b>		
Size: A3	Date: 2021-02-22	Rev:
KiCad E.D.A. eeschema 5.1.5		Id: 1/4

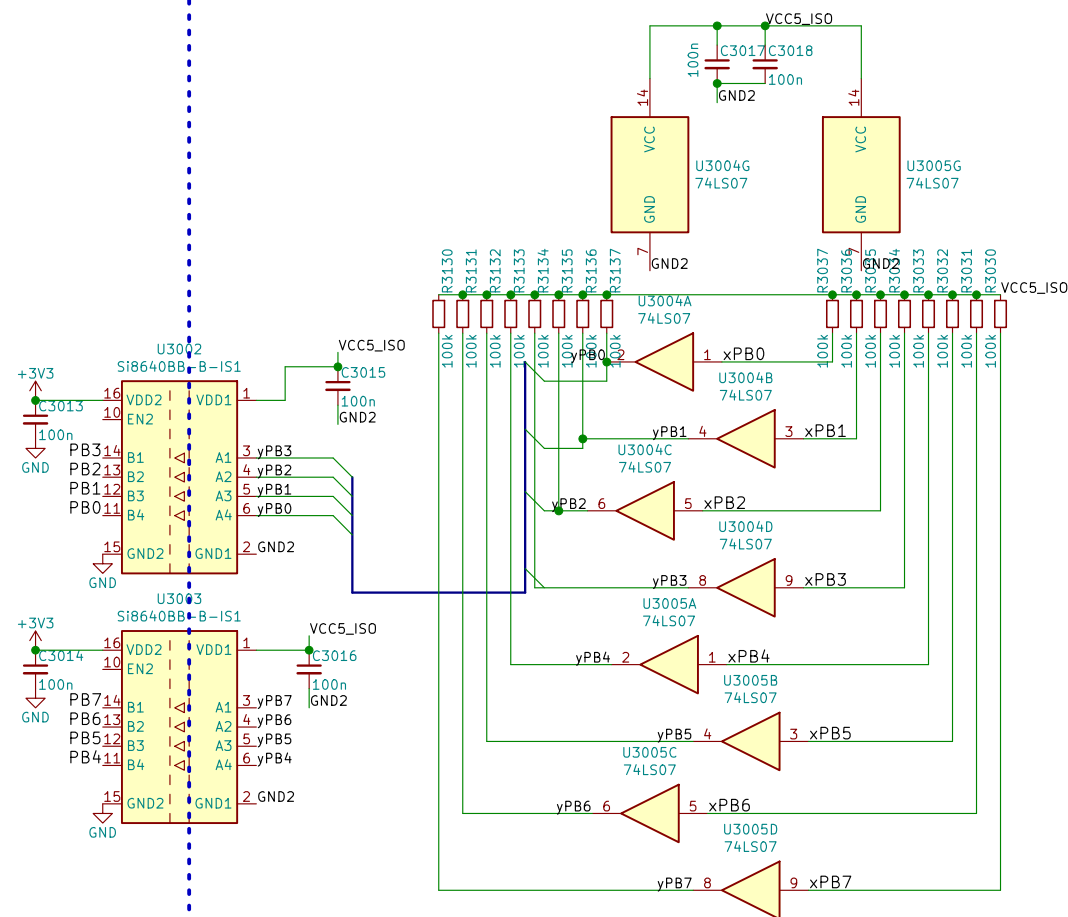
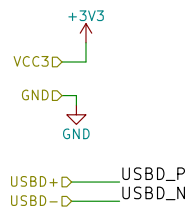
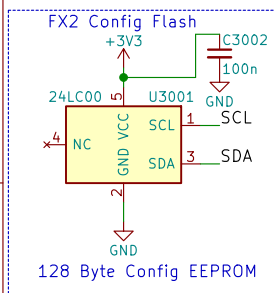
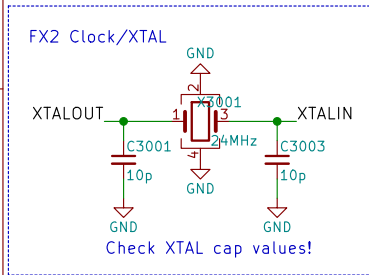
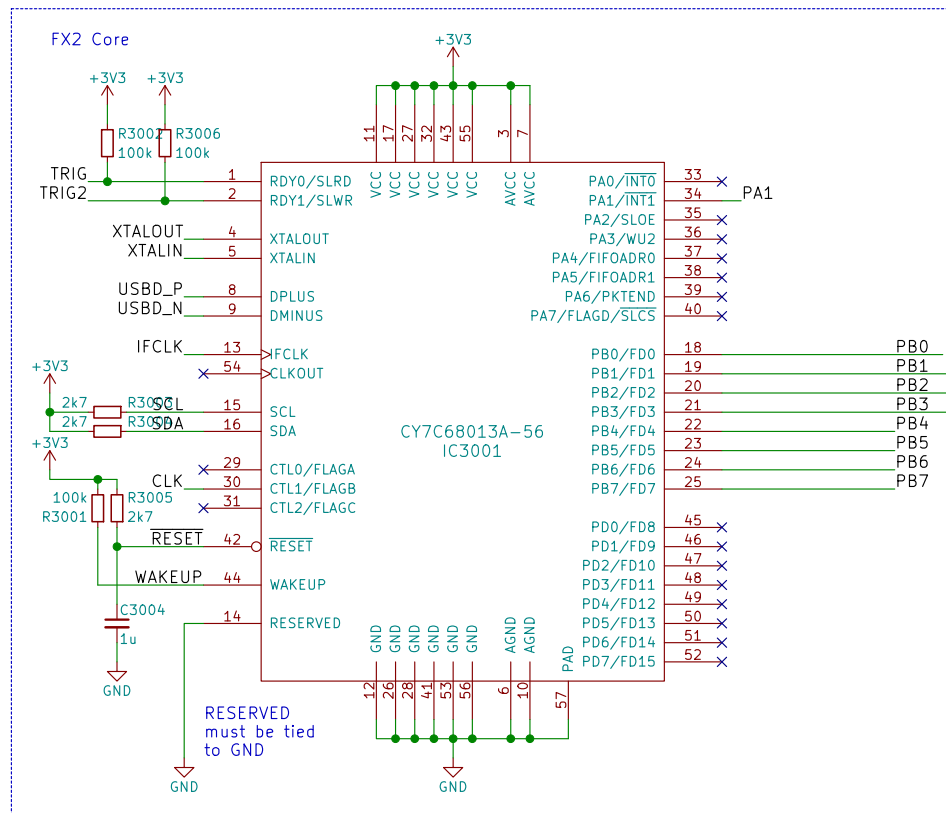
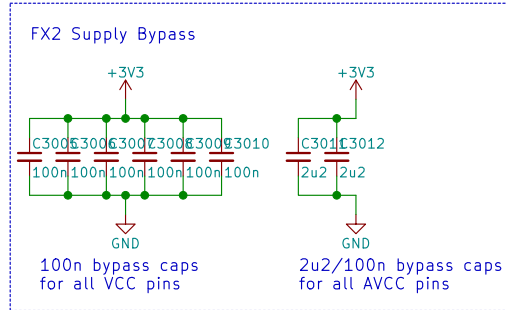


Based on  
<https://hackaday.io/project/26294/files>  
 CC-BY-SA V4.0

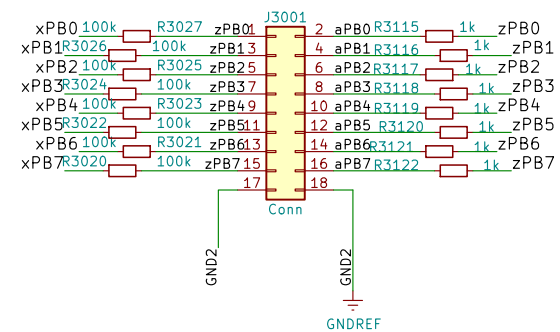
Sheet: /ST-Link/  
 File: stlink.sch

**Title: ElWoMiSa STLink v2 ISO**

Size: A3	Date: 2021-02-22	Rev:
KiCad E.D.A. eeschema 5.1.5		Id: 2/4



VCC5\_I50D VCC5\_I50  
GND\_I50D GND2



Based on FX2Grok Flat <https://sigrok.org/wiki/Fx2grok>  
CC-BY-SA V4.0

Sheet: /Logic Analyzer/  
File: logic-analyzer.sch

**Title: ElWoMiSa Logic Analyzer**

Size: A3 Date: 2021-02-22

KiCad E.D.A. eeschema 5.1.5

Rev:  
Id: 3/4

