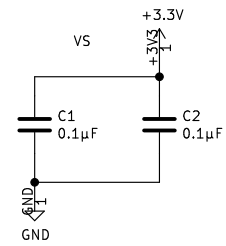
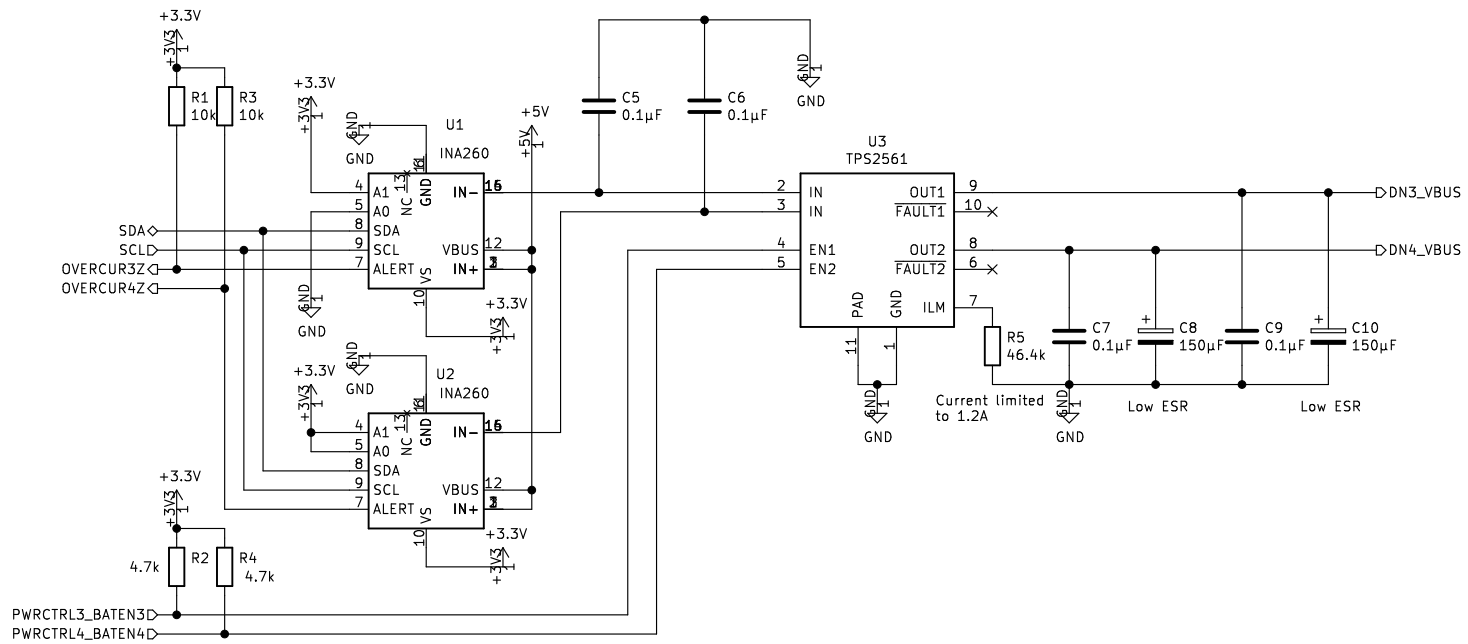
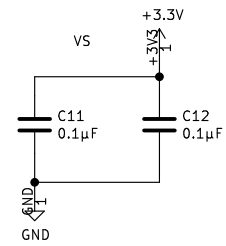
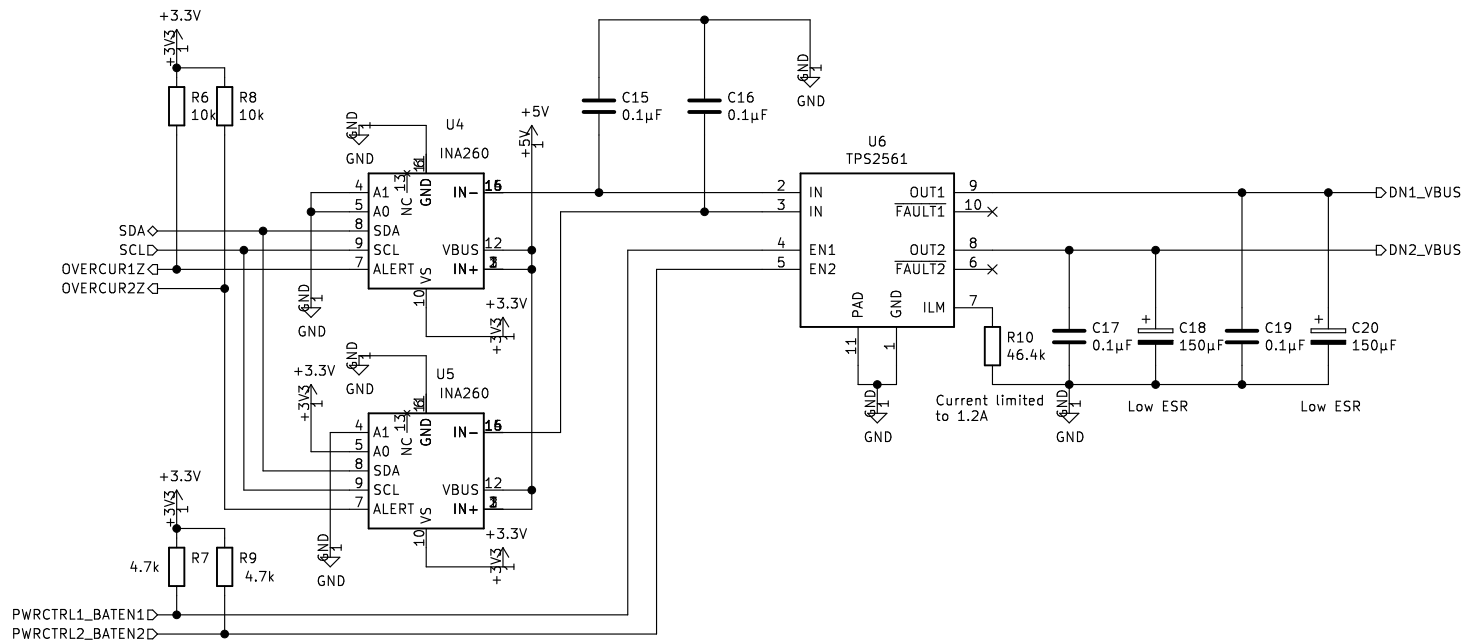


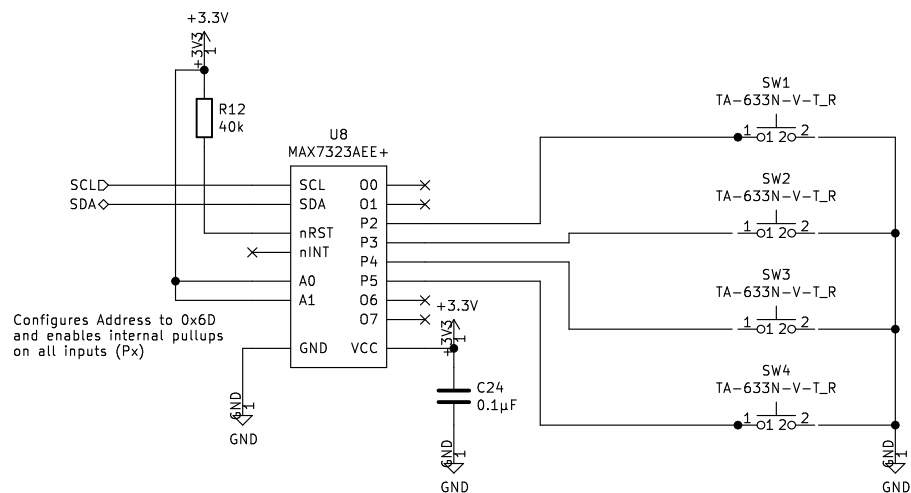
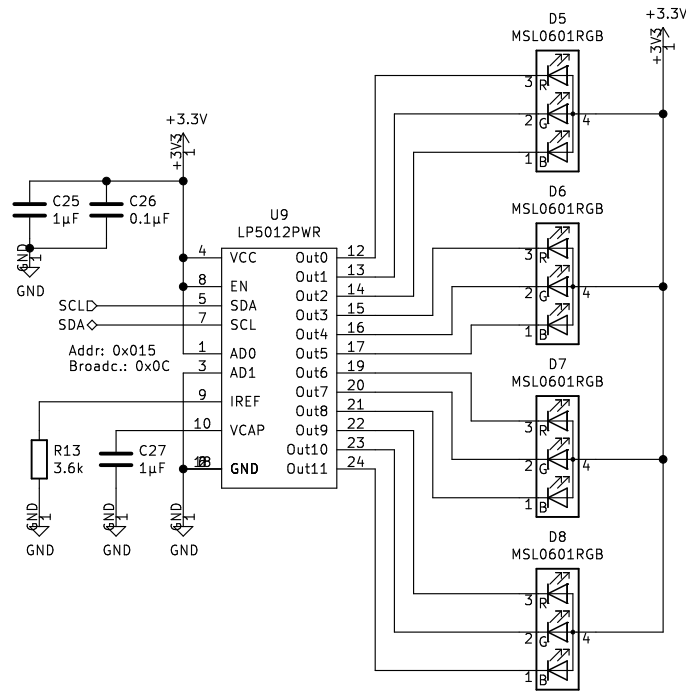
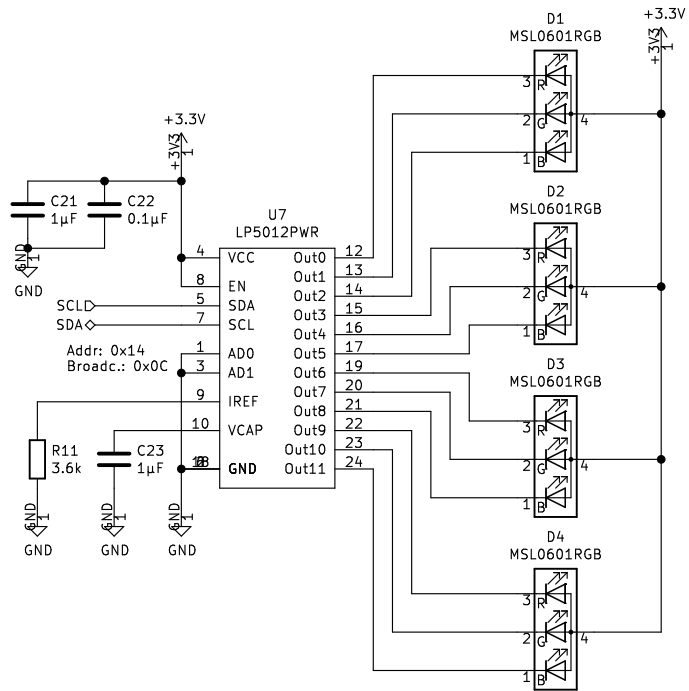
Sheet: /		
File: port-plane.sch		
<b>Title:</b>		
Size: A4	Date:	Rev:
KiCad E.D.A. kicad (5.1.9-0-10_14)		Id: 1/8



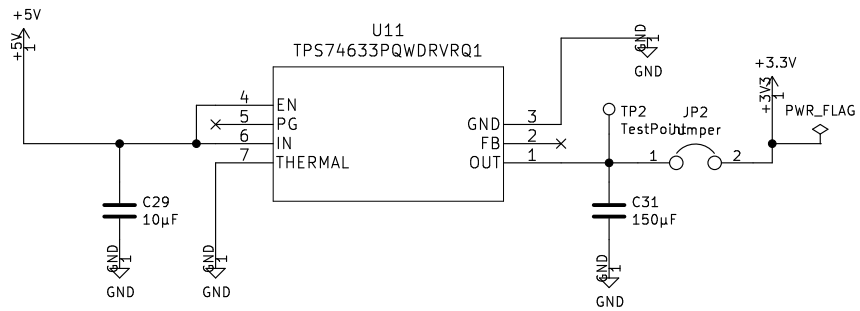
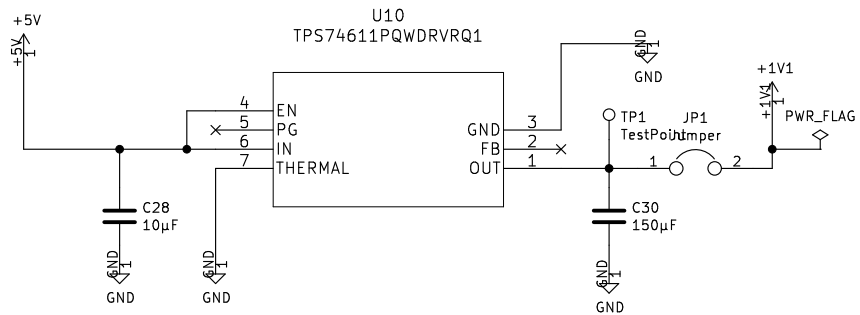
Sheet: /port2_3/		Date:	
File: port2_3.sch		Rev: 0.1	
Size: A4	KiCad E.D.A. kicad (5.1.9-0-10_14)		Id: 2/8



Sheet: /port0_1/		File: port0_1.sch	
<b>Title:</b>			
Size: A4	Date:	<b>Rev:</b>	
KiCad E.D.A. kicad (5.1.9-0-10_14)		Id: 3/8	



Sheet: /user_interface/	
File: user_interface.sch	
<b>Title:</b>	
Size: A4	Date:
KiCad E.D.A. kicad (5.1.9-0-10_14)	Rev: 4/8

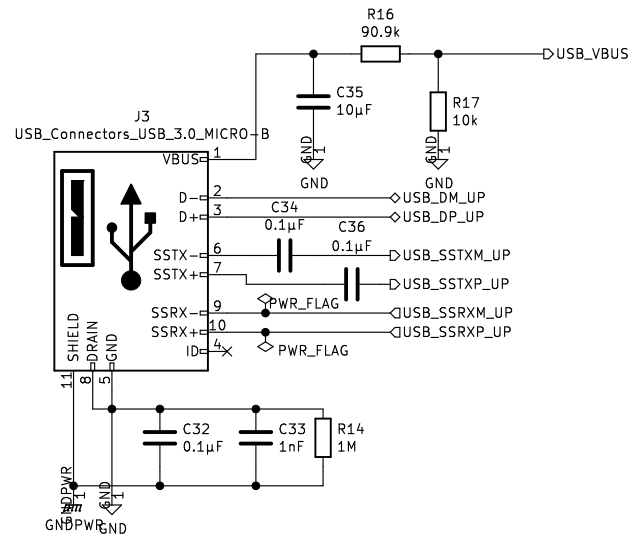
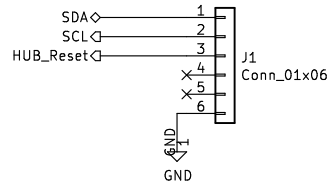
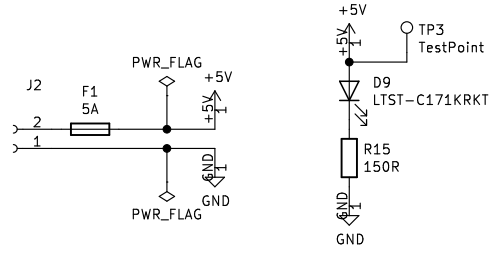
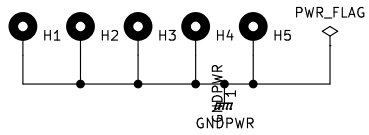


Sheet: /power/  
File: power.sch

**Title:**

Size: A4  
KiCad E.D.A. kicad (5.1.9-0-10\_14)

Date:  
Rev: 5/8

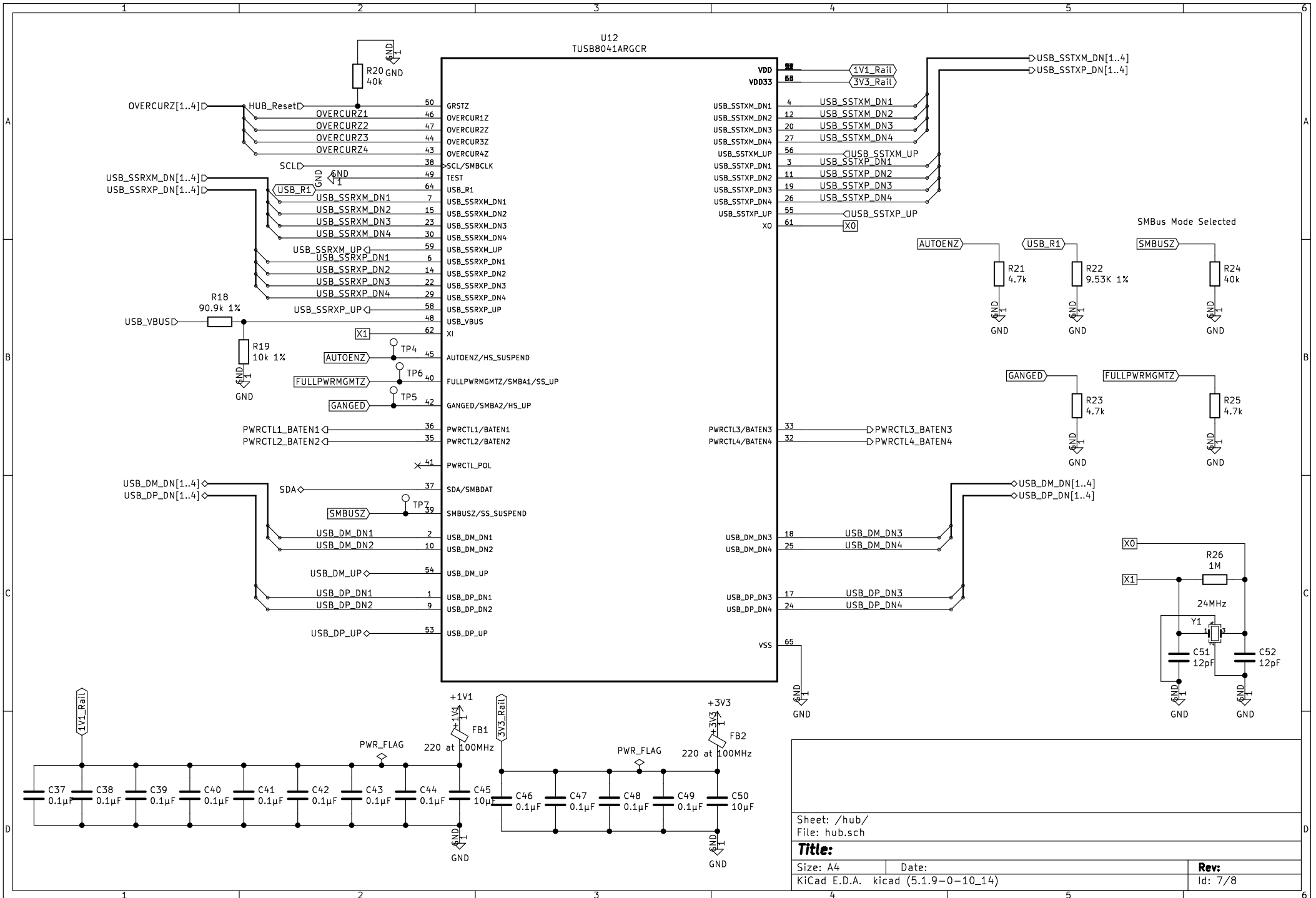


Sheet: /input/  
File: input.sch

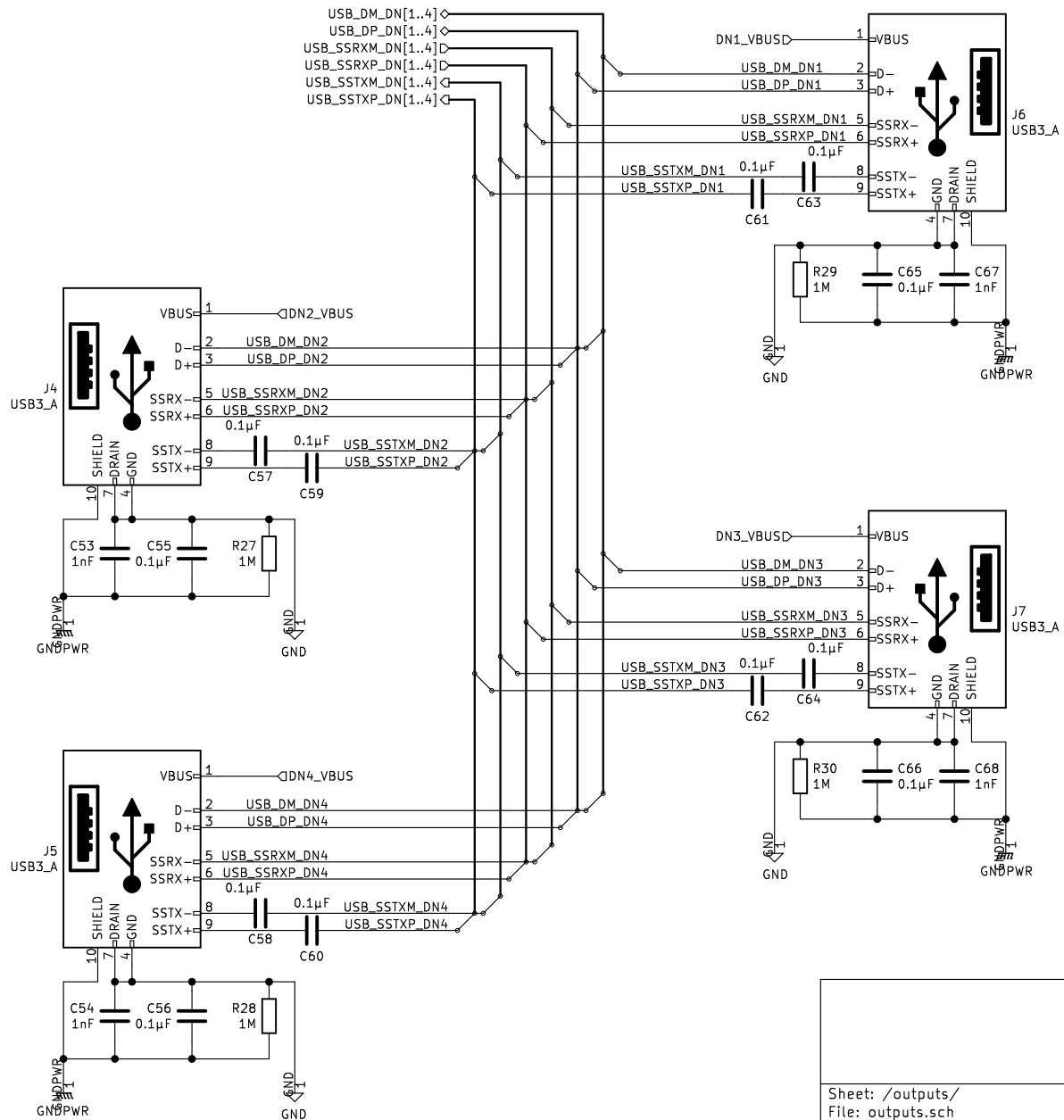
**Title:**

Size: A4 Date:  
KiCad E.D.A. kicad (5.1.9-0-10\_14)

**Rev:**  
Id: 6/8



Sheet: /hub/		File: hub.sch	
<b>Title:</b>			
Size: A4	Date:	Rev:	
KiCad E.D.A. kicad (5.1.9-0-10_14)			Id: 7/8



Sheet: /outputs/  
File: outputs.sch

**Title:**

Size: A4  
KiCad E.D.A. kicad (5.1.9-0-10\_14)

Date:  
Rev: 8/8