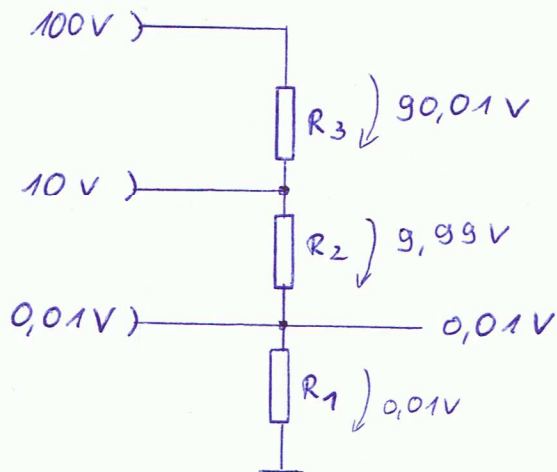
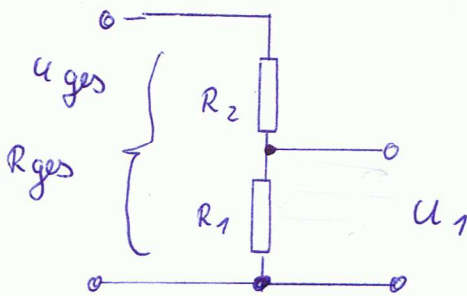


$$R_1 + R_2 + R_3 = 10 \mu\Omega$$



allg. Form unbel. Spannungsteiler

$$\frac{U_1}{U_{ges}} = \frac{R_1}{R_{ges}} \Rightarrow R_1 = \frac{U_1}{U_{ges}} \cdot R_{ges} \Rightarrow \frac{0,01}{10V} \cdot 10 \mu\Omega \Rightarrow \underline{\underline{10 \text{ k}\Omega}}$$



$$R_2 = \frac{U_2}{U_{ges}} \cdot R_{ges} - R_1 \Rightarrow \frac{9,99V}{100V} \cdot 10 \mu\Omega - 10 \text{ k}\Omega \Rightarrow \underline{\underline{998 \text{ k}\Omega}}$$

$$R_3 = R_{ges} - R_1 - R_2 \Rightarrow 10 \mu\Omega - 10 \text{ k}\Omega - 998 \text{ k}\Omega \Rightarrow 8992 \text{ k}\Omega \\ \Rightarrow \underline{\underline{8,99 \mu\Omega}}$$