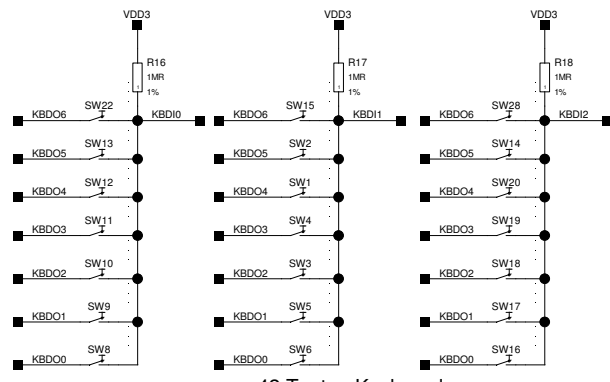
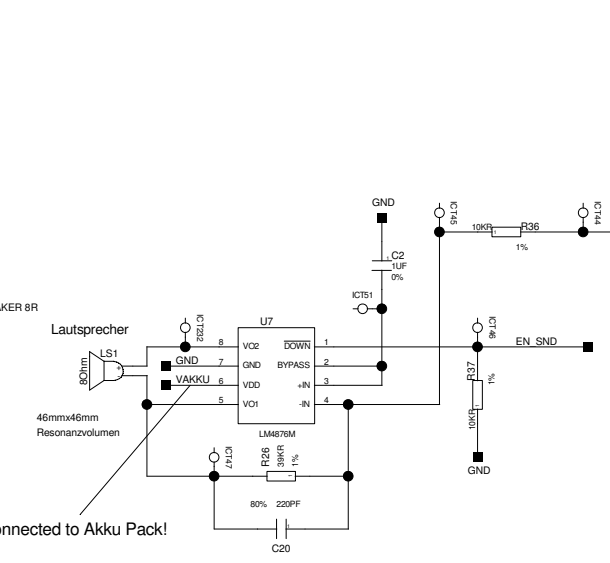
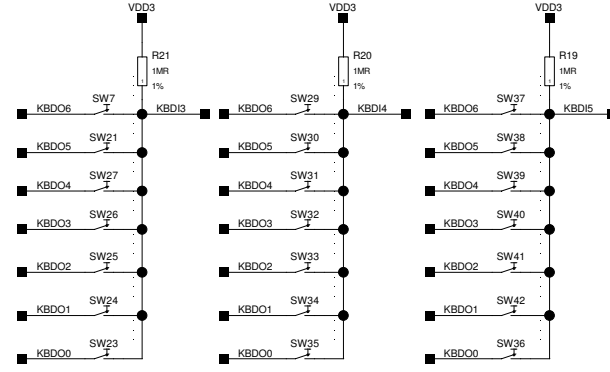


# Betty HHU

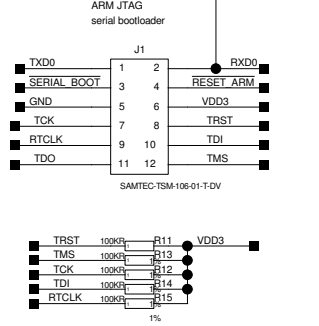


42 Tasten Keyboard

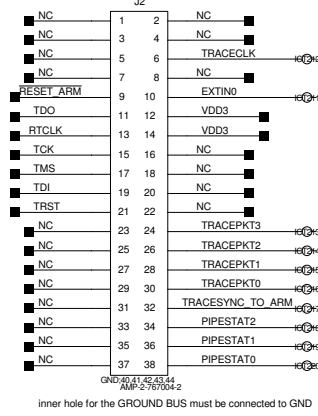


connected to Akku Pack!

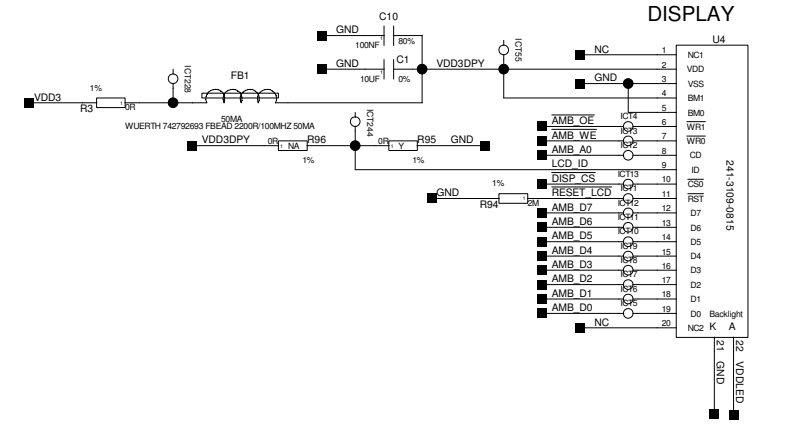
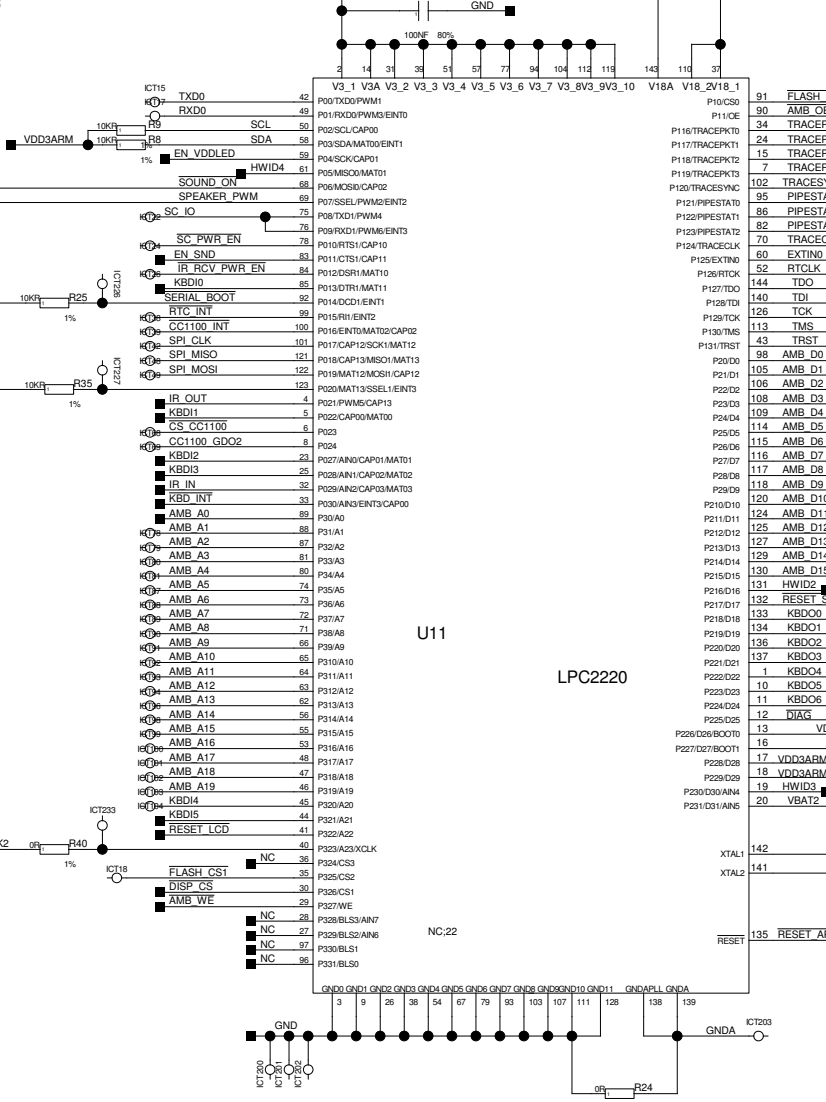
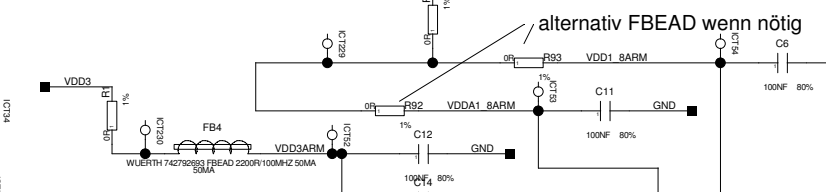
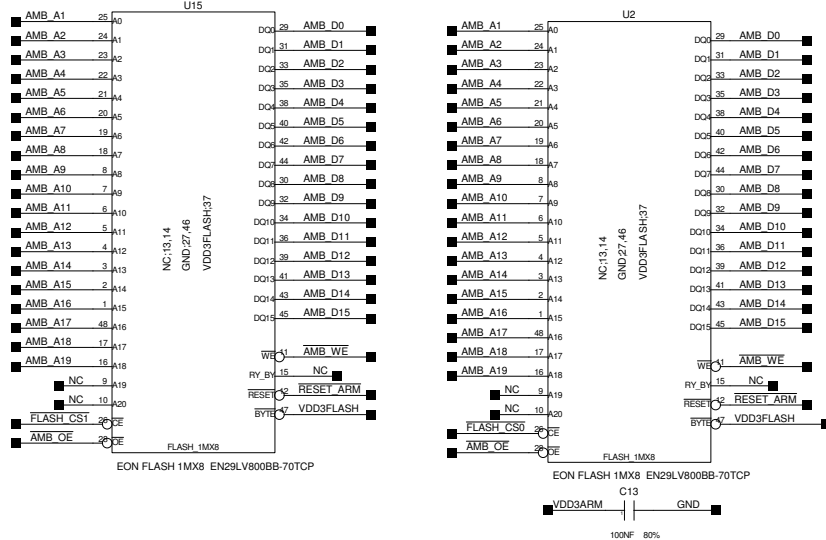
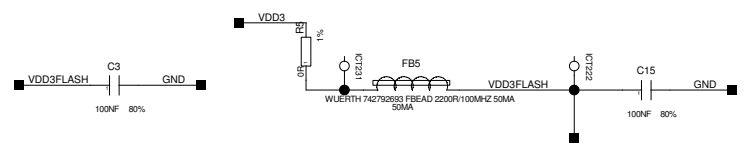
Debug Connector (Batteriefach)



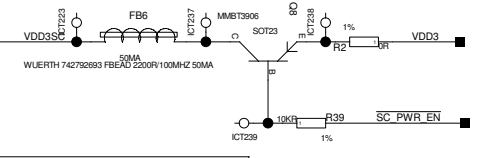
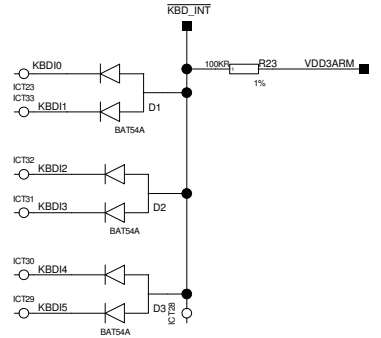
Lauterbach Single-ETMv1/2 connector



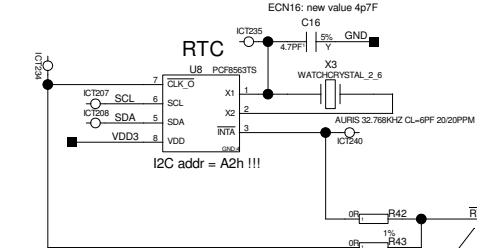
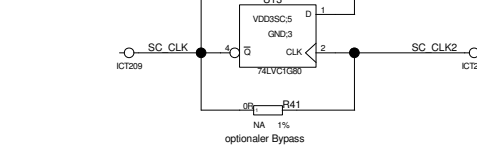
inner hole for the GROUND BUS must be connected to GND



DISPLAY



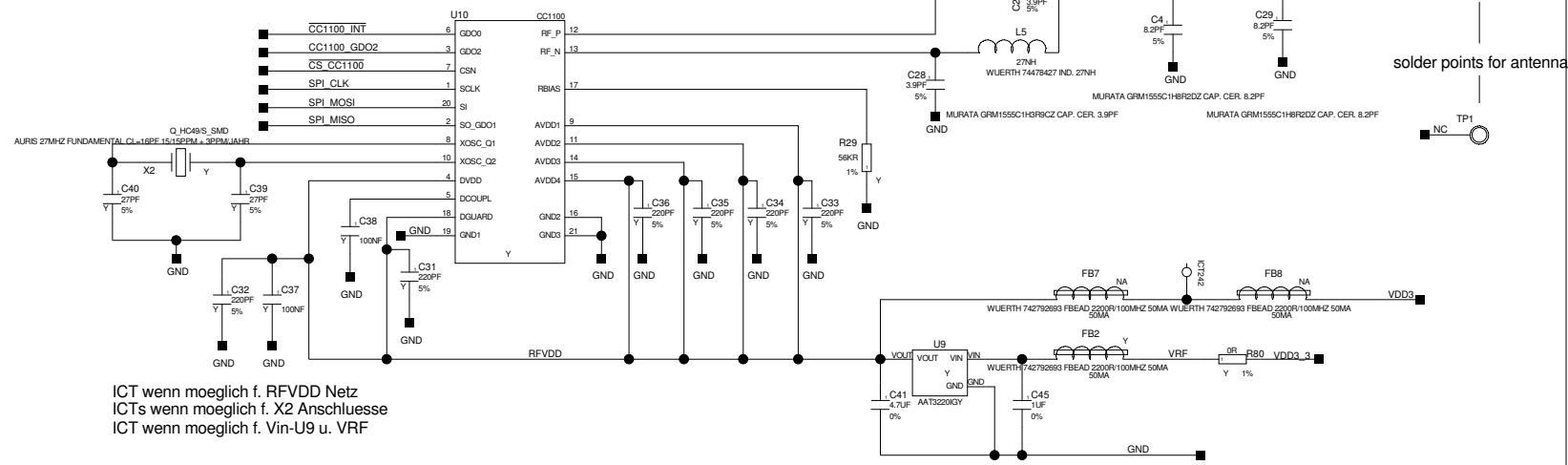
Smartcard (Die)



empfindlich f. Übersprechen!

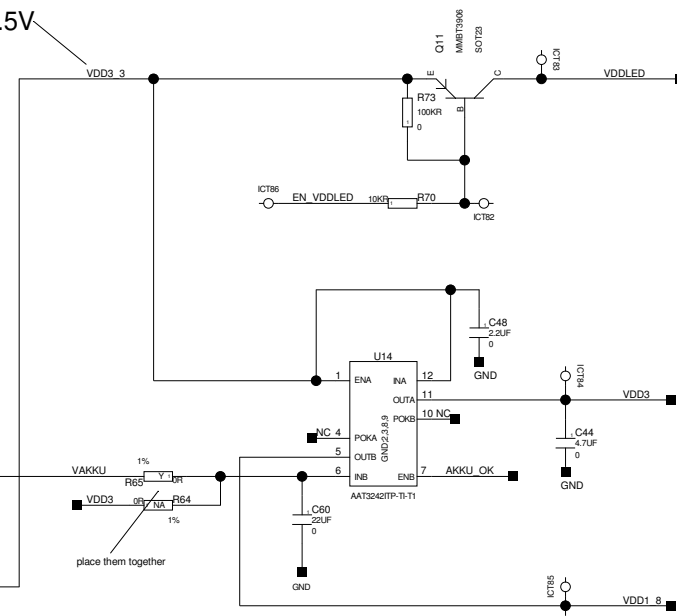
FAST TV SERVER AG	
Title \$id: BettyHHU.1 13510 2007-01-18 15:29:27Z mike \$	
Betty HHU V3.3	
Document Name	BETTYHHU
Author	HFS/MSL
Date:	1-19-2007_9:39
Sheet	1

see CC1100\_Advanced\_DataSheet\_0\_4.pdf Topic 14 for pinning details



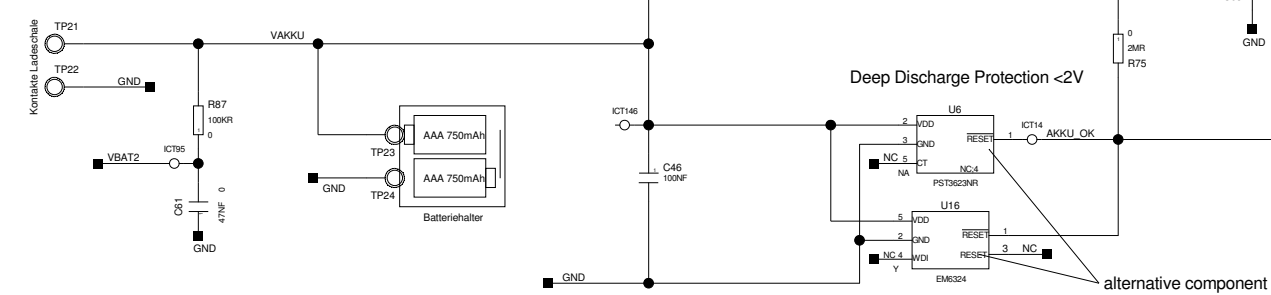
ICT wenn möglich f. RFVDD Netz  
ICTs wenn möglich f. X2 Anschlusse  
ICT wenn möglich f. Vin-U9 u. VRF

real voltage is 3.5V



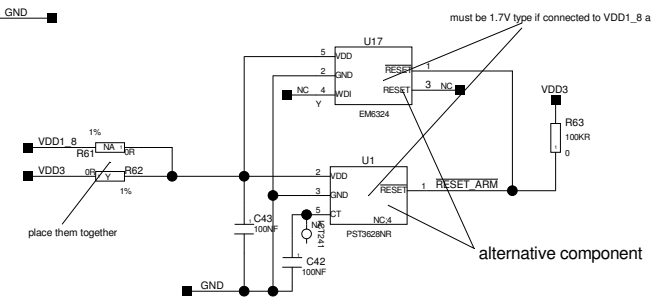
used by Audio Amplifier IR transmitter and VDD1V8

TP21/TP22 ohne Schlitz in der Platine ausfuehren



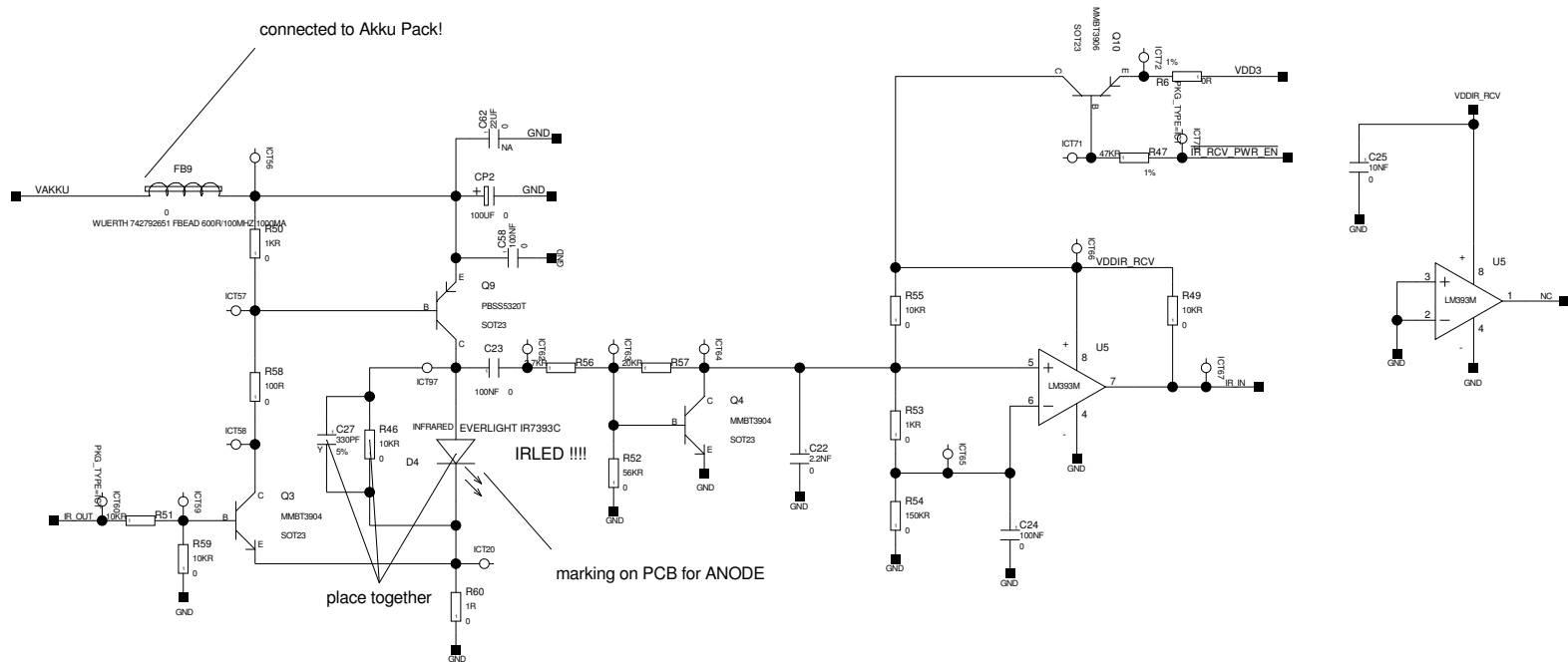
Deep Discharge Protection <2V

alternative component



alternative component

connected to Akku Pack!



IRLED !!!!

marking on PCB for ANODE

BETTY Betty Mitmach TV GmbH			
Title \$Id: BettyHHU 2 13510 2007-01-18 15:29:27Z mike \$			
BettyHHU V3.3			
Document Name	A1_BETTY	BETTYHHU	Author RMIMSL
Date:	1-19-2007, 9:39	Sheet	2 1