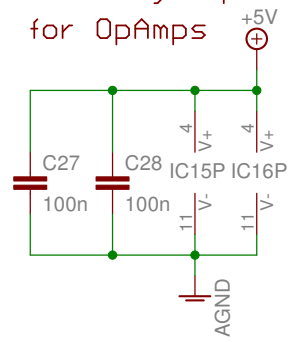
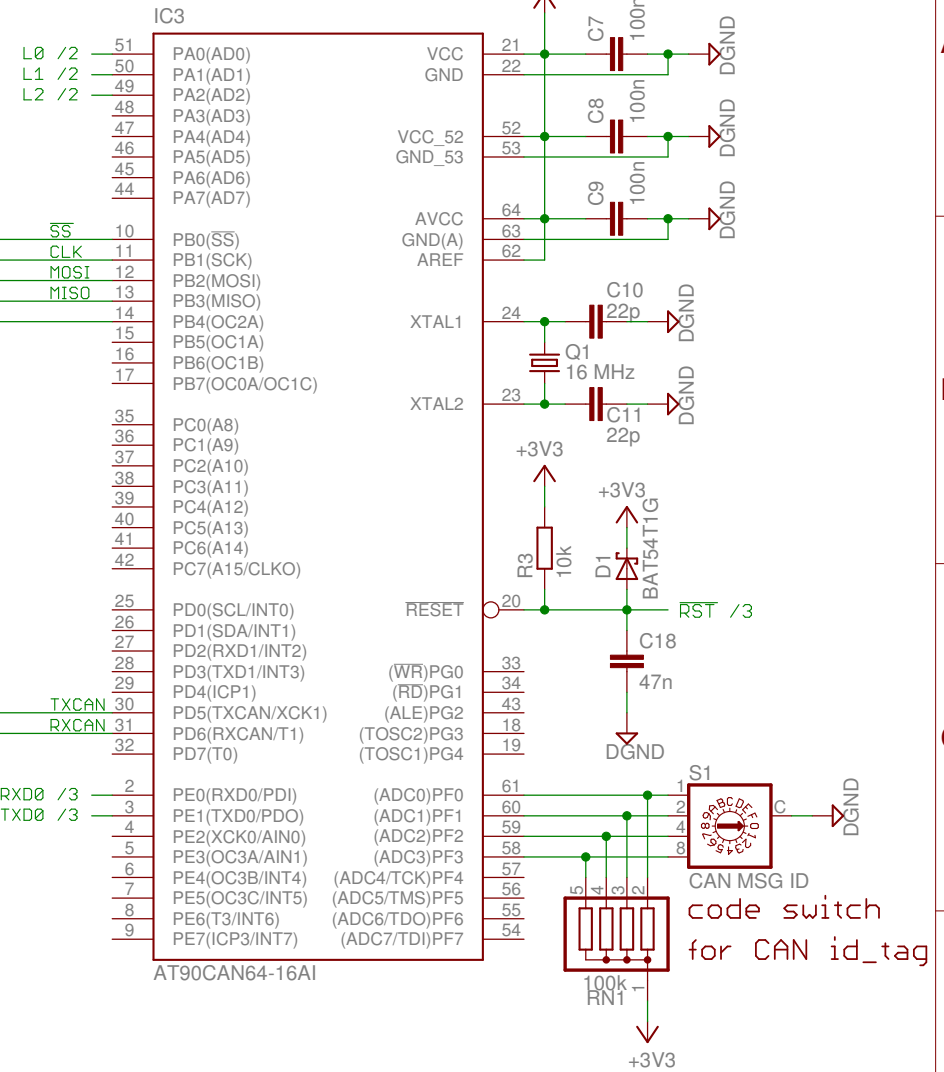
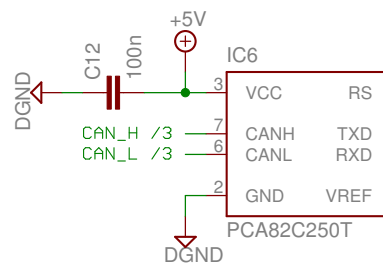
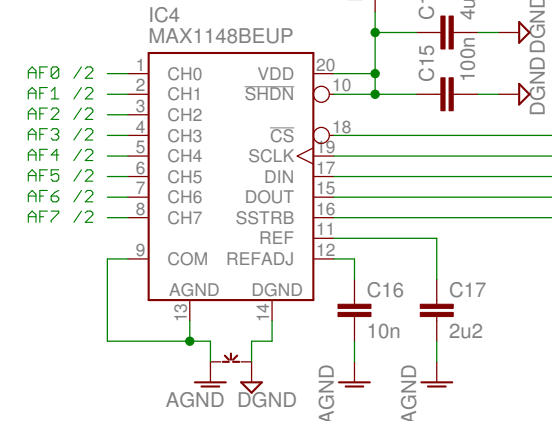
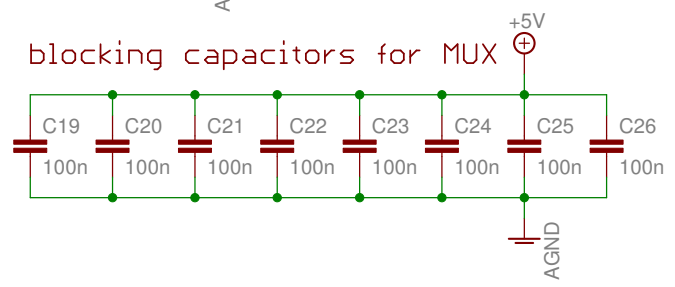


blocking capacitors for OpAmps



blocking capacitors for MUX



Temperature & Humidity	Feldbauer/Friedel
Monitoring for PANDA	THMP Mainboard
Mainboard	7/10/09 4:39 PM
Digital Side	Sheet: 1/3