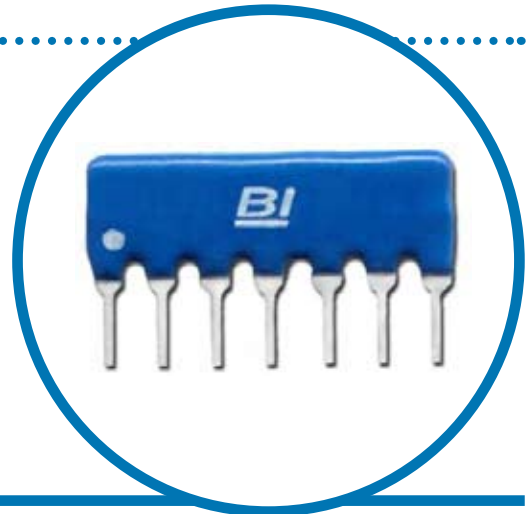


# Single-In-Line Conformal Coated RoHS Compliant

D Series

- 4 to 14 Leads
- Standard and custom circuits
- Space saving design



## Specification

Reverse Voltage, $V_R$	80V
Reverse Current, $I_R$	1.0 $\mu$ A ( $V_R = 70V$ )
Forward Current, $I_F$	100mA Average, 300mA Surge (1 $\mu$ s Max.)
Forward Voltage, $V_F$	1.2V @ $I_F = 100mA$
Package Power, $P_{PKG}$	200mW @ 25°C
Reverse Recovery Time, $t_{rr}$	4ns ( $V_R = 6V$ , $I_F = 5mA$ , $R_L = 50\Omega$ )
Capacitance, C	5.5pF ( $V_R = 6V$ , $f = 1MHz$ )
Storage Temperature Range	- 55°C to 125°C
Operating Temperature Range	- 25°C to 80°C

### General Note

TT electronics reserves the right to make changes in product specification without notice or liability. All information is subject to TT electronics' own data and is considered accurate at time of going to print.

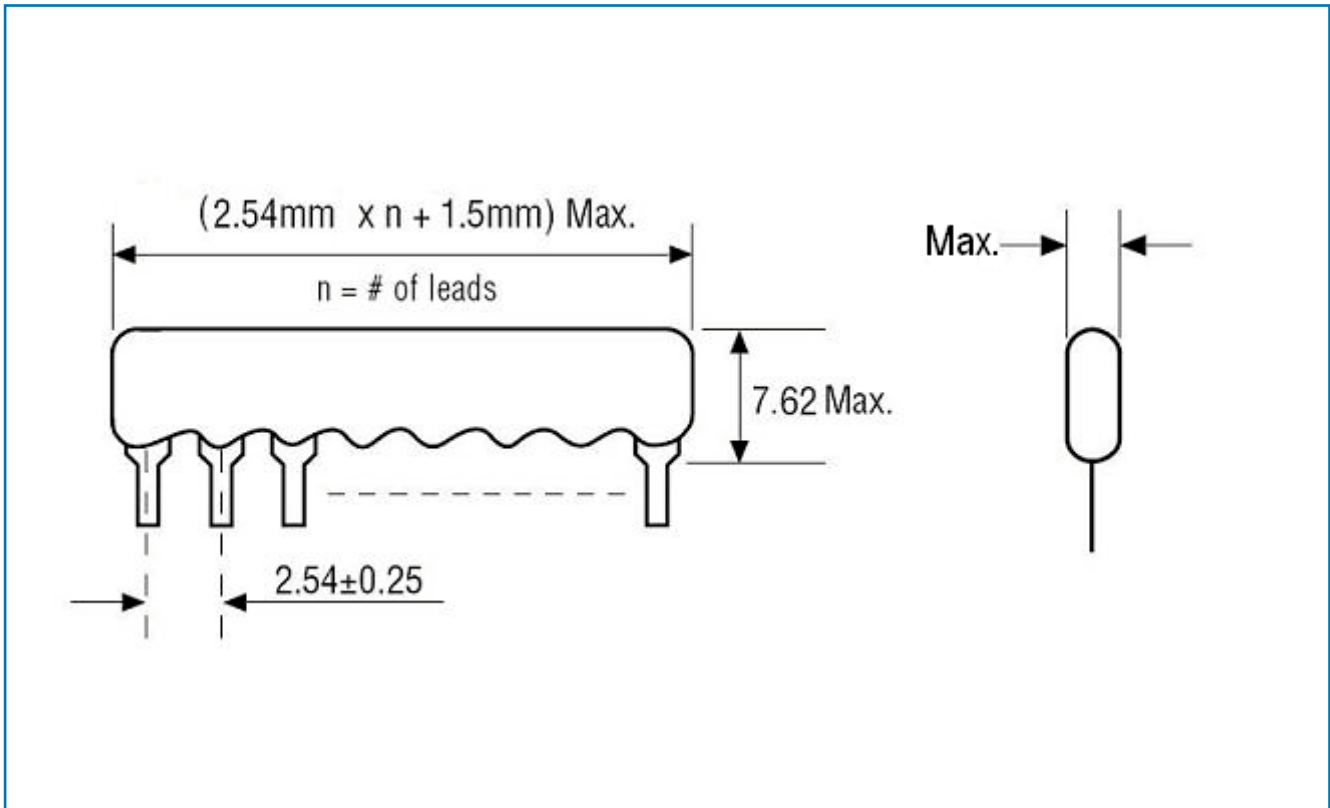
## Specification

Circuit Type	Polarity "A"	Polarity "C"
<p>1 N = 4 to 14</p>		
<p>2 N = 3 to 13 (Odd #)</p>		
<p>3 N = 4 to 14 (Even #)</p>		
<p>5 N = 4 to 14</p>		

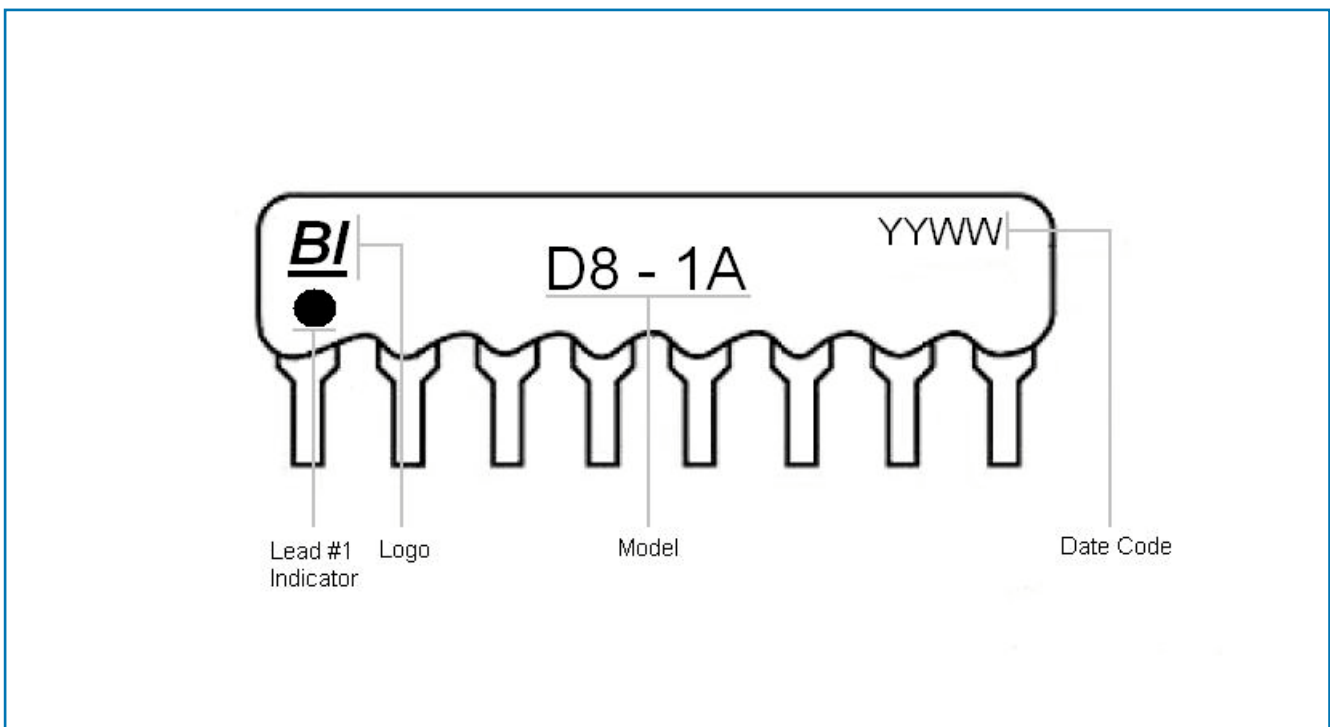
### General Note

TT electronics reserves the right to make changes in product specification without notice or liability. All information is subject to TT electronics' own data and is considered accurate at time of going to print.

## Outline Dimensions (Inch/mm)



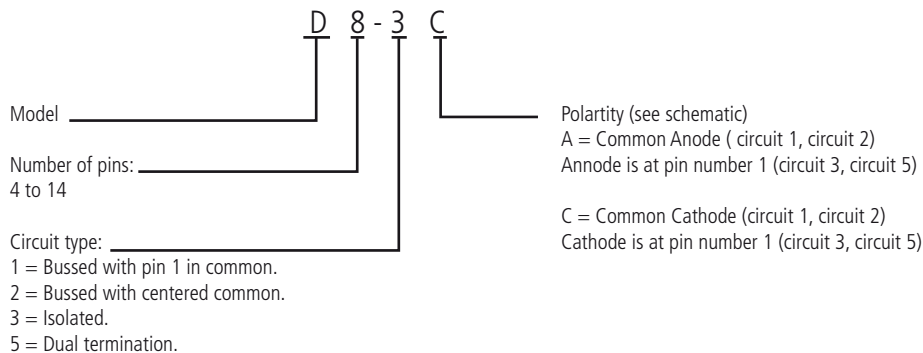
## Typical Part Marking



### General Note

TT electronics reserves the right to make changes in product specification without notice or liability. All information is subject to TT electronics' own data and is considered accurate at time of going to print.

## Ordering Information



## Material

Part	Material
Substrate	Alumina ceramic
Diode	Small mold package silicon epitaxial planar diode array
Termination	100% Ag
Lead Pins	100% Sn Plated steel
Junction and Lead Pin finish	96%Sn, 3.5%Ag, 0.5%Cu
Conformal Coat	Epoxy resin, UL-94 V-0 rated

## Packaging

Number of pins	Qty. per plastic bag	Qty. per box
3 to 6	100	1000
7 to 12	100	500
13 to 14	50	250

### General Note

TT electronics reserves the right to make changes in product specification without notice or liability.  
All information is subject to TT electronics' own data and is considered accurate at time of going to print.