

NOTES:

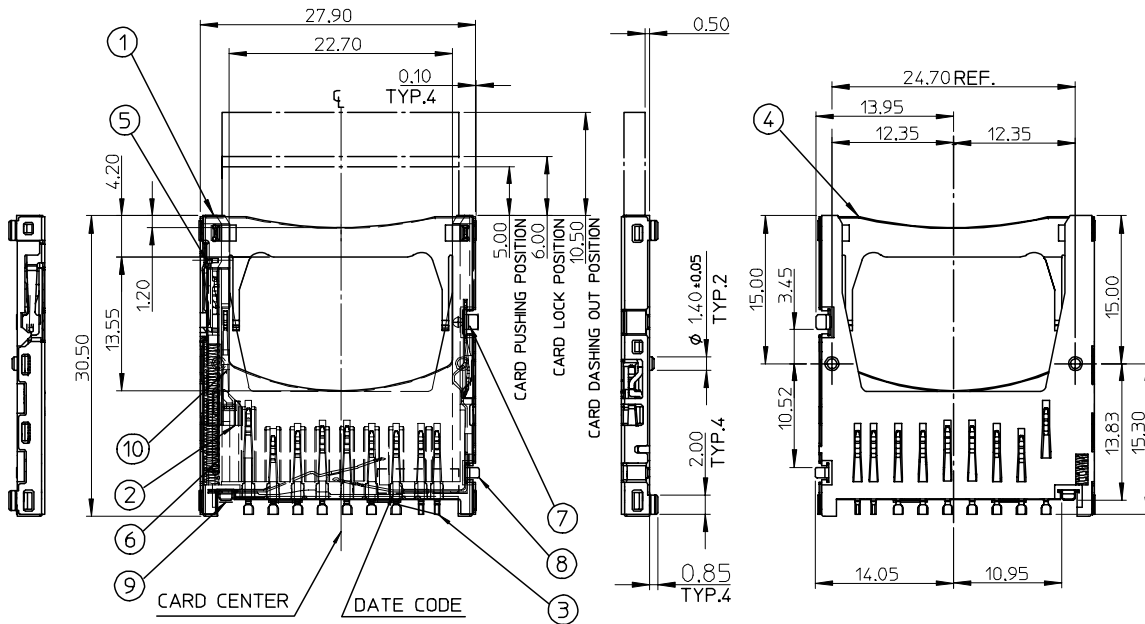
1. TERMINAL AND NAIL COPLANARITY TO BE 0.1 MAX.
2. WHEN DELIVERING, THE PUSH/PUSH MECHANISM IS IN THE STATE OF THE UNLOCK. (CARD DASHING OUT POSITION)
3. CARD READ ONLY BY THE TIME THE CARD DETECTION SWITCH WORKS.
4. OPEN AND CLOSE OF EACH SWITCH.

CARD INSERTION STATUS	WRITE PROTECT SWITCH		DETECT SWITCH
	WRITE PROTECT POSITION	WRITE ENABLE POSITION	
CARD UNINSERTION	OPEN	OPEN	OPEN
CARD HALF INSERTION	CLOSE	CLOSE	OPEN
CARD INSERTION	OPEN	CLOSE	CLOSE

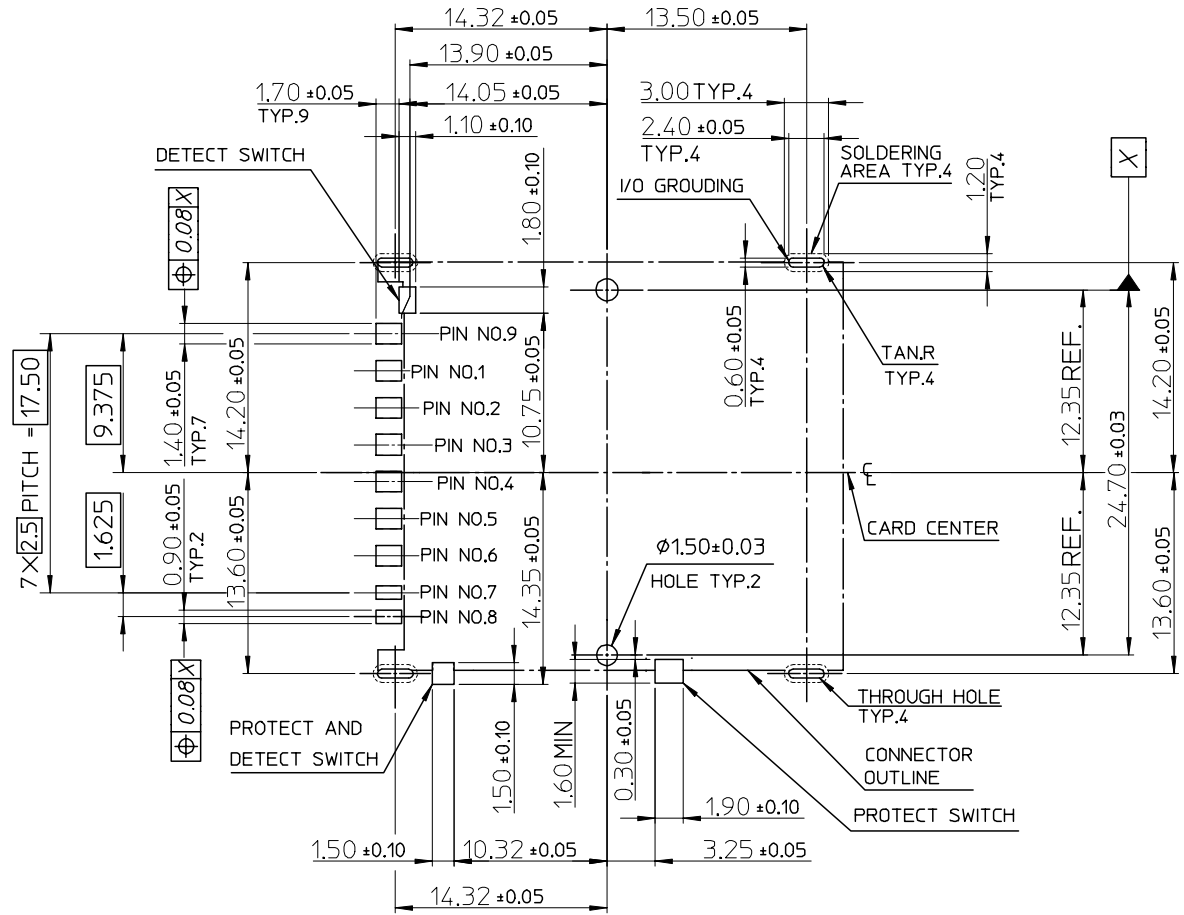
5. MATERIAL AND FINISH AS BELOW

NO	NAME	QTY	MATERIAL
1	HOUSING	1	LCP,UL 94V-0,COLOR:BLACK
2	HEART CAM	1	LCP,UL 94V-0,COLOR:BLACK
3	TERMINAL	9	COPPER ALLOY,SELECTIVE Au PLATING
4	METAL SHELL	1	STAINLESS STEEL
5	CAM PIN	1	STAINLESS STEEL
6	SPRING	1	STEEL WIRE
7	PROTECT TERMINAL	1	COPPER ALLOY, SELECTIVE Au PLATING
8	PROTECT AND DETECT TERMINAL	1	COPPER ALLOY, SELECTIVE Au PLATING
9	DETECT TERMINAL	1	COPPER ALLOY, SELECTIVE Au PLATING
10	CARD LOCK	1	STAINLESS STEEL

6. PRODUCT SPECIFICATION : PER PS-67840-001
7. I/O CONTACTS, BASE ON SD I/O ASSOC. REV. G.
8. THIS HAS A LOCK MECHANISM FOR SD CARD.IT DOES NOT WORK FOR THE MMC. CARD AT LOCK POSITION, IF PULLED OUT MANUALLY. THE NEXT CARD INSERTED WILL BE EJECTED.
9. RECOMMENDED P.C.BOARD THICKNESS: 1.0±0.1



<p>NEW RELEASE</p> <p>EC NO: SH2005-0332</p> <p>DRWN: LSHEN 2004/12/06</p> <p>CHKD: HARVEY 2005/05/10</p> <p>APPR: YIYAP 2005/05/10</p>	<p>QUALITY SYMBOLS</p> <p>▽ = 0</p> <p>∇ = 0</p> <p>∇ = 0</p>	<p>GENERAL TOLERANCES (UNLESS SPECIFIED)</p> <table border="1"> <tr> <th></th> <th>mm</th> <th>INCH</th> </tr> <tr> <td>4 PLACES</td> <td>± ---</td> <td>± ---</td> </tr> <tr> <td>3 PLACES</td> <td>± ---</td> <td>± ---</td> </tr> <tr> <td>2 PLACES</td> <td>± 0.25</td> <td>± ---</td> </tr> <tr> <td>1 PLACE</td> <td>± 0.25</td> <td>± ---</td> </tr> </table> <p>ANGULAR ± 3 °</p>		mm	INCH	4 PLACES	± ---	± ---	3 PLACES	± ---	± ---	2 PLACES	± 0.25	± ---	1 PLACE	± 0.25	± ---	<p>SCALE 2:1</p> <p>DESIGN UNITS METRIC</p> <p>THIRD ANGLE PROJECTION</p> <p>REVISE ON CAD ONLY</p>	<p>DIMENSION STYLE MM ONLY</p> <p>TITLE SD CARD CONN. ASS'Y NORMAL TYPE & COVER DIP (LEAD-FREE)</p> <p>MATERIAL NO. 67993-8001</p> <p>DOCUMENT NO. SD-67993-002</p> <p>SHEET NO. 1 OF 3</p>
		mm	INCH																
	4 PLACES	± ---	± ---																
	3 PLACES	± ---	± ---																
2 PLACES	± 0.25	± ---																	
1 PLACE	± 0.25	± ---																	
<p>APPROVED BY</p> <p>DATE</p>	<p>DRAFT WHERE APPLICABLE</p> <p>MUST REMAIN WITHIN DIMENSIONS</p>	<p>DRAWN BY ALEX</p> <p>DATE 2004/12/06</p> <p>CHECKED BY</p> <p>DATE</p>	<p>APPROVED BY</p> <p>DATE</p>	<p>THIS DRAWING CONTAINS INFORMATION THAT IS PROPRIETARY TO MOLEX INCORPORATED AND SHOULD NOT BE USED WITHOUT WRITTEN PERMISSION</p>															
<p>REV A</p>	<p>DESCRIPTION</p>	<p>DESCRIPTION</p>	<p>DATE</p>	<p>A3</p>															
<p>NEW RELEASE</p>	<p>DESCRIPTION</p>	<p>DESCRIPTION</p>	<p>DATE</p>	<p>A3</p>															



RECOMMENDED PCB PATTERN LAYOUT

NEW RELEASE EC NO: SH2005-0332 DRAWN: LSHEN 2004/12/06 CHKD: HARVEY 2005/05/10 APPR: YTYAP 2005/05/10	QUALITY SYMBOLS ▴ = 0 ▽ = 0 S = 0	GENERAL TOLERANCES (UNLESS SPECIFIED)		SCALE 3:1	DESIGN UNITS METRIC	THIRD ANGLE PROJECTION	REVISE ON CAD ONLY
		4 PLACES ± --- ± --- 3 PLACES ± --- ± --- 2 PLACES ± 0.25 ± --- 1 PLACE ± 0.25 ± ---	DIMENSION STYLE MM ONLY	TITLE SD CARD CONN. ASS'Y NORMAL TYPE & COVER DIP (LEAD-FREE)			
		DRAFT WHERE APPLICABLE MUST REMAIN WITHIN DIMENSIONS		DRAWN BY ALEX	DATE 2004/12/06	MOLEX INCORPORATED	
		APPROVED BY		DATE	MATERIAL NO. 67993-8001	DOCUMENT NO. SD-67993-002	SHEET NO. 2 OF 3

THIS DRAWING CONTAINS INFORMATION THAT IS PROPRIETARY TO MOLEX INCORPORATED AND SHOULD NOT BE USED WITHOUT WRITTEN PERMISSION

A3