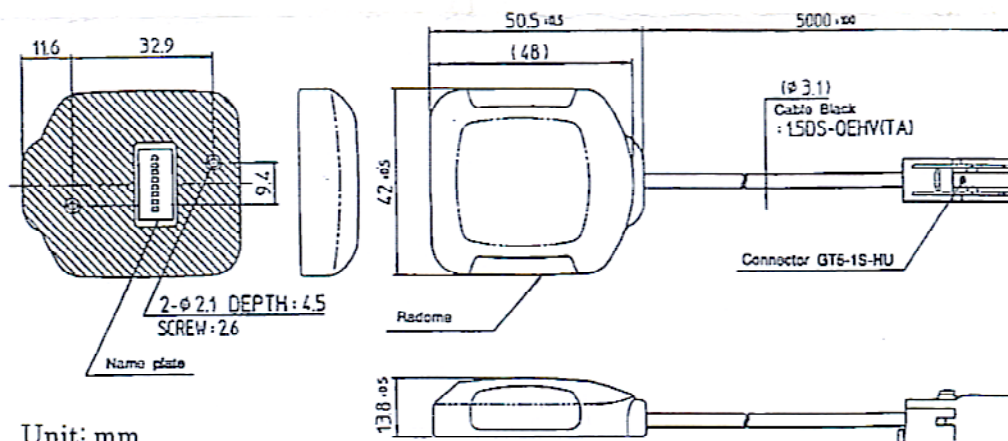


3 RECOMMENDED ANTENNA

Recommended Antenna:	NAY-3600G
Type:	Active
Overall Performance (Antenna+LNA+Cable)	
Gain:	> 22dBi (at elevation 10°)
Output Impedance:	50 Ω
VSWR:	2.0:1
Supply voltage:	+4 to +5Vdc
Current consumption:	< 30mA
RF Connector:	GT5-1S-HU (Hirose)
Antenna Part	
Gain Coverage:	> -5dBi (elevation ≥ 10°) > +2dBi (at zenith)
Polarization:	RHCP
Axial Ratio:	< 4.0dB (at zenith)
Low Noise Amplifier (LNA) Part	
Power Gain:	> 28dB (not including cable loss)
Noise Figure:	< 2.1dB
Bandwidth:	> 2MHz
Out of Band Rejection:	> 20dB (at 1575.42MHz ± 50MHz)
Cable:	1.5D Coax. Cable , 5m long



Tolerance
(unless otherwise specified) : ±0.3

NAY-3600G OUTLINE DRAWINGS