

Projekt: AARlogic_C07-4

Rev: 1

Datum: 02.02.2009 14:02:22

Plot: 02.02.2009 14:02:44

Round Solutions GmbH & Co KG

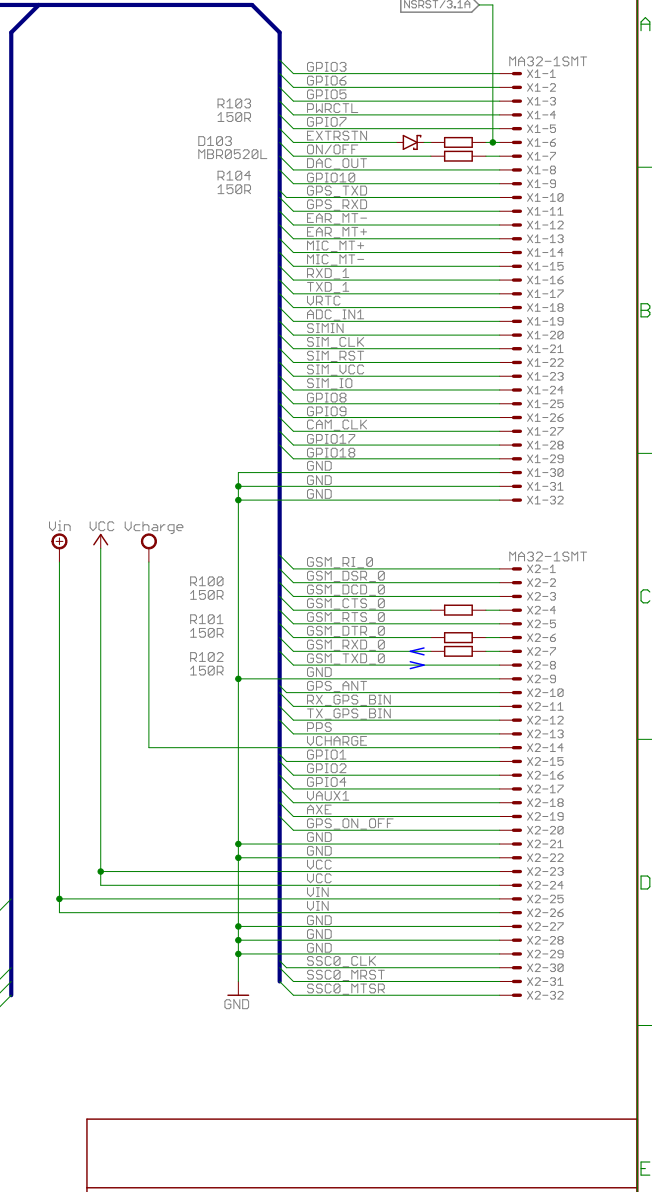
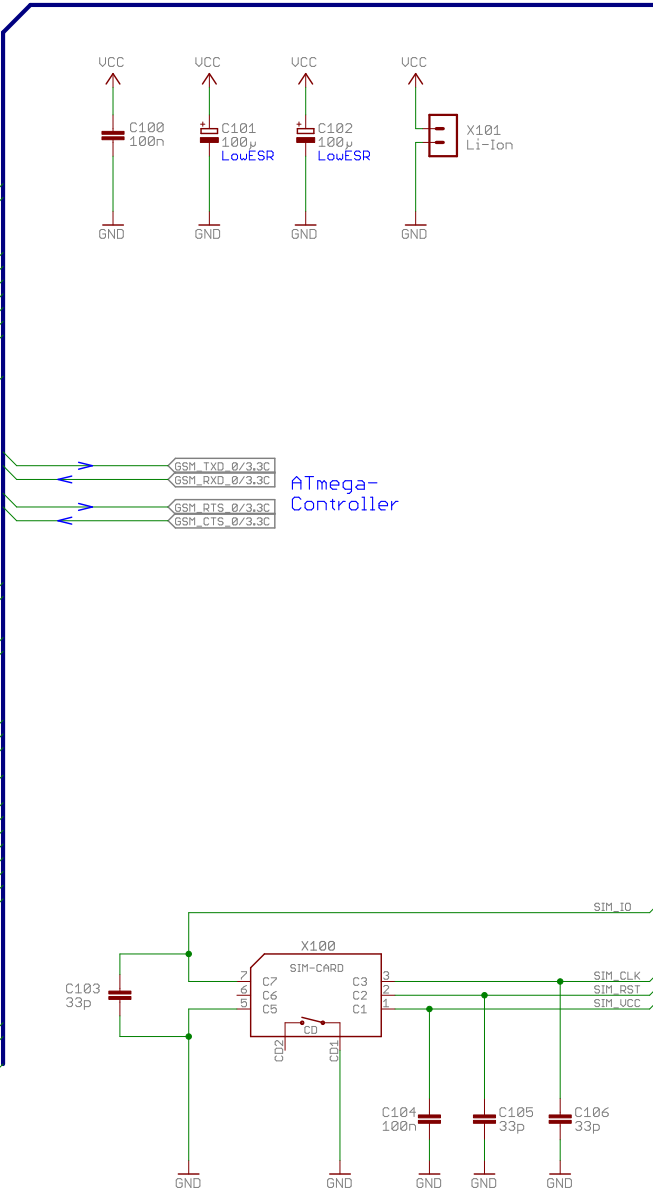
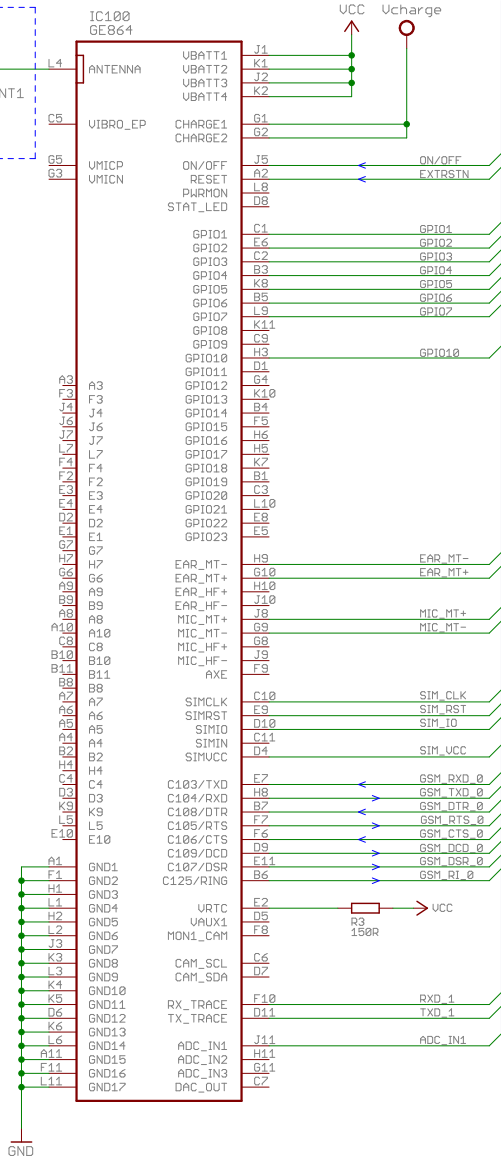
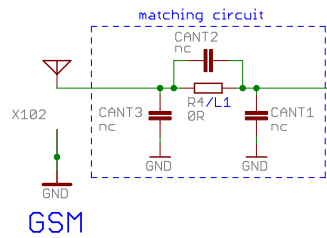
Hans-Böckler-Straße 16

D - 63263 Neu-Isenburg

www.roundsolutions.com

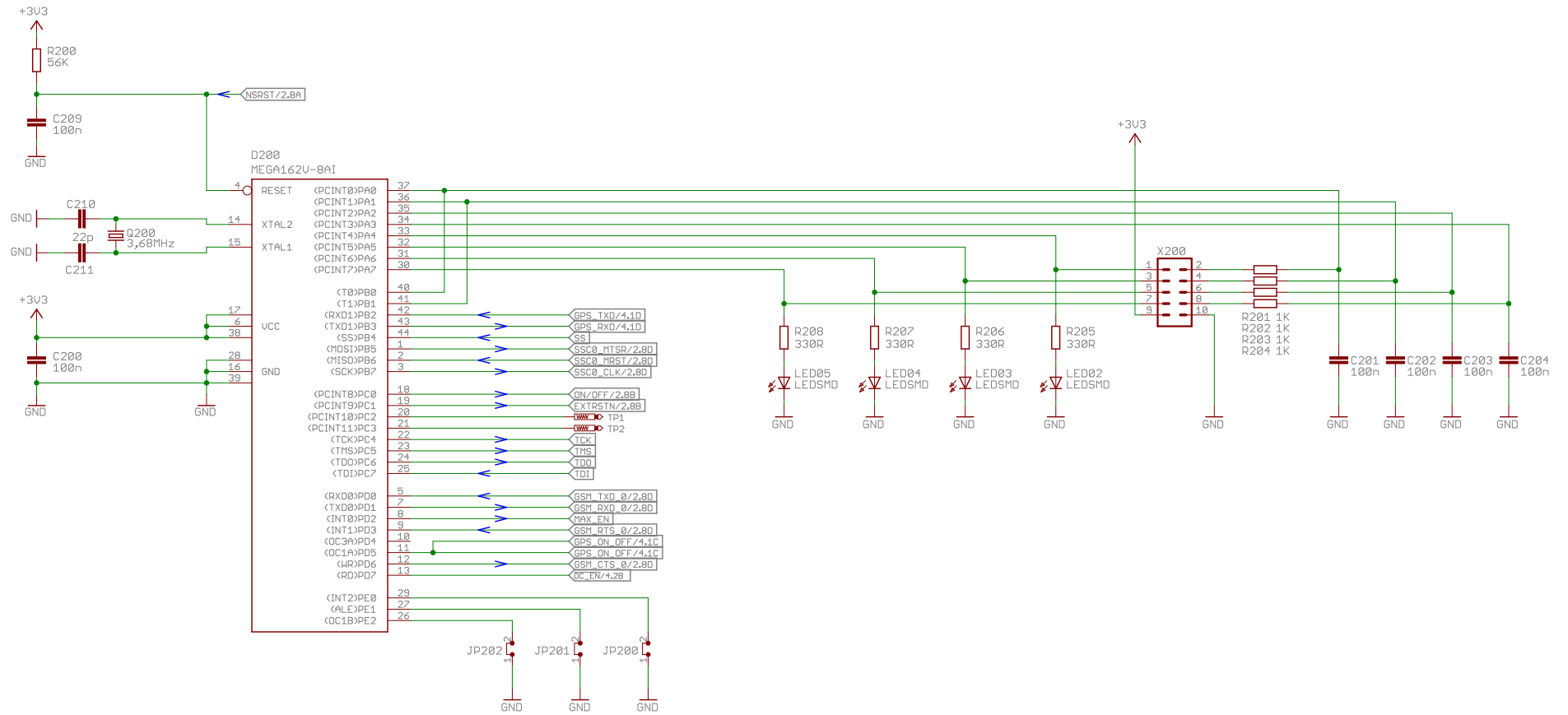
info@roundsolutions.com

GSM/GPRS Module

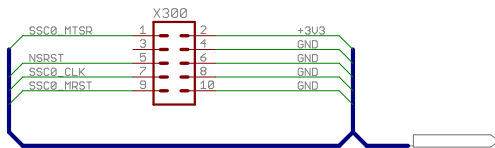


TITLE: AARlogic_C07-4	
Document Number:	REV: 1
Date: 02.02.2009 14:02:22	Sheet: 2/4

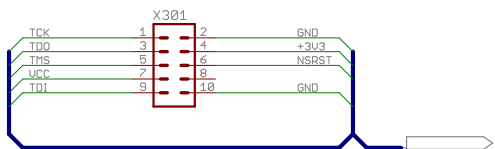
Controller



ISP-Programmer



JTAG



TITLE: AARlogic_C07-4	
Document Number:	REV: 1
Date: 02.02.2009 14:02:22	Sheet: 3/4

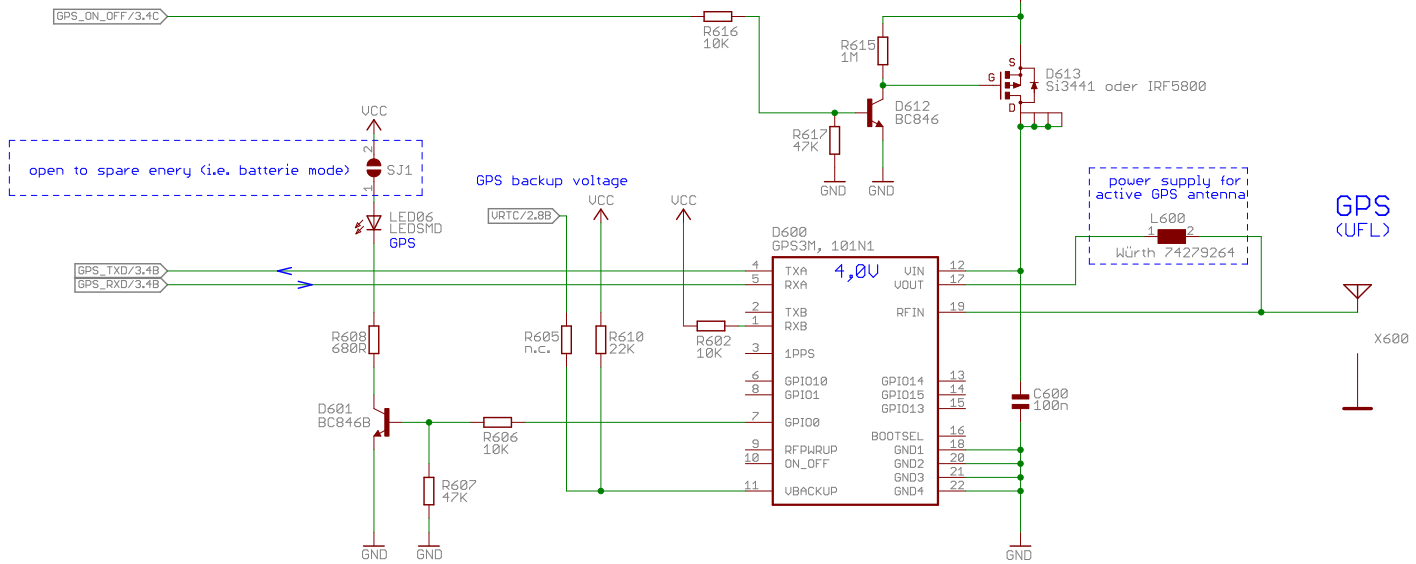
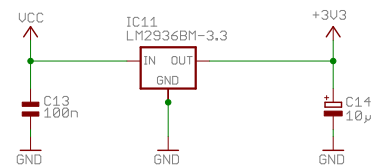
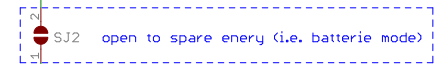
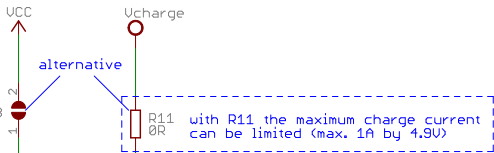
Power Supply

Mode: without accu (4.0U)

R2 = 2K2
 SJ3 = short
 R11 = n.c.

Mode: with accu (4.9U)

R2 = 3K0
 SJ3 = open
 R11 = 0R



TITLE: AARlogic_C07-4	
Document Number:	REV: 1
Date: 02.02.2009 14:02:22	Sheet: 4/4