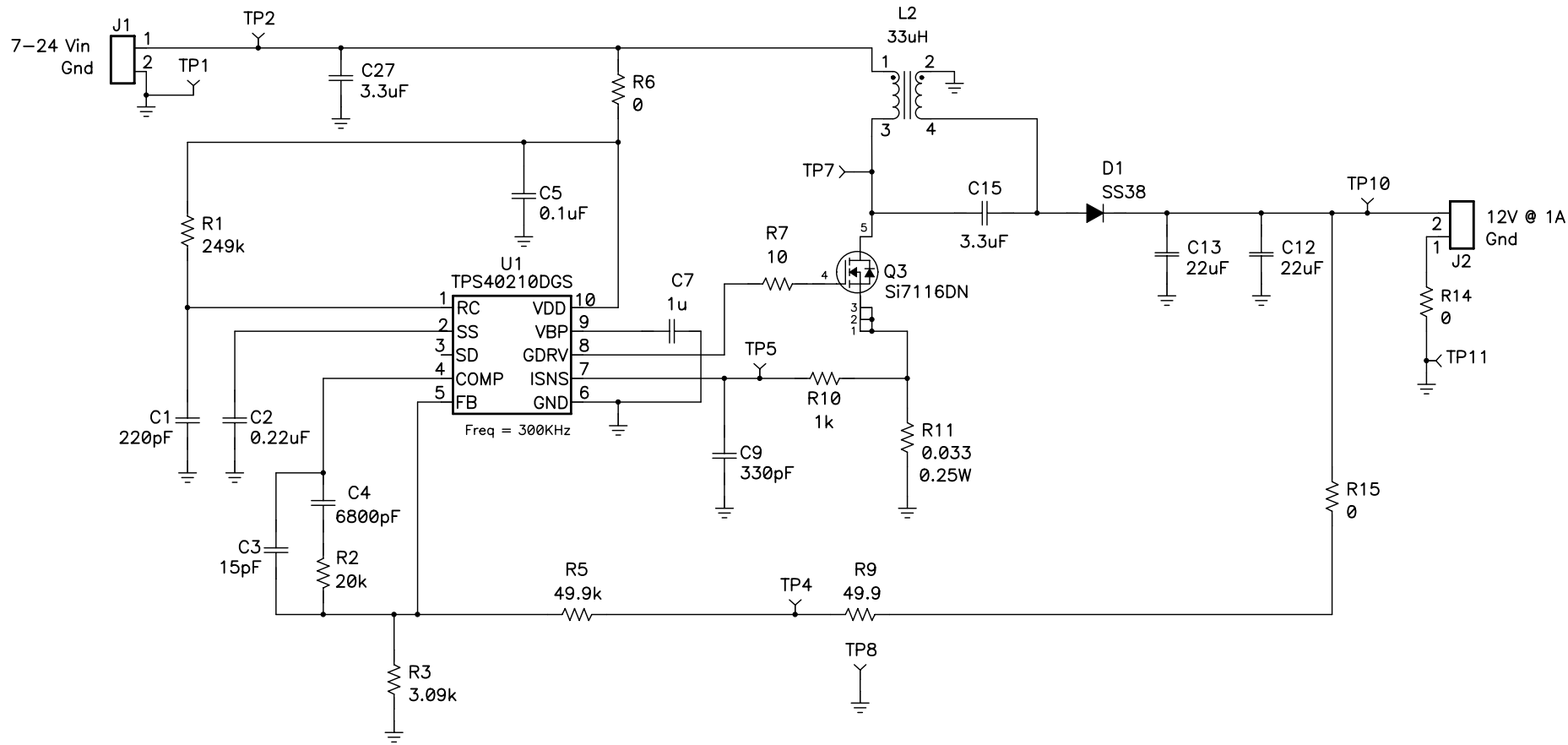


Note:  
 1) Built on PMP2773 REVB PWB.  
 2) Short L4 on PWB.



Title		12V@1A SEPIC	
Size	Number	Rev	
B	PMP5024	A	
Date	7-23-09	Drawn by	J Betten
Filename	PMP5024 REVA.SCH	Sheet	1 of 1