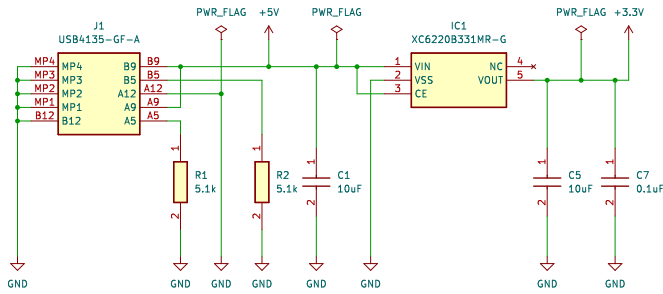
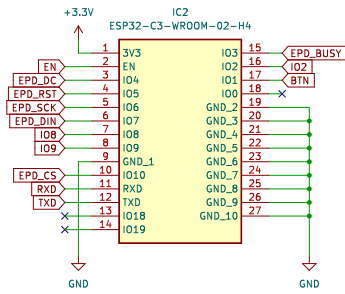


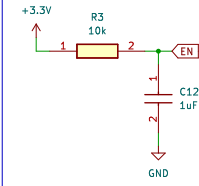
Power supply



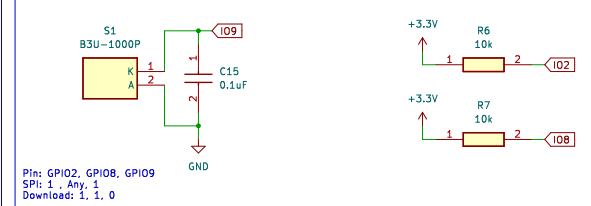
MCU with low sleep current



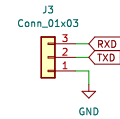
RC delay



Boot selection

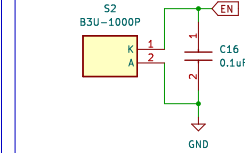


UART

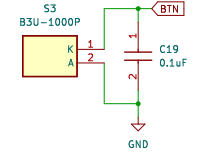


Reset

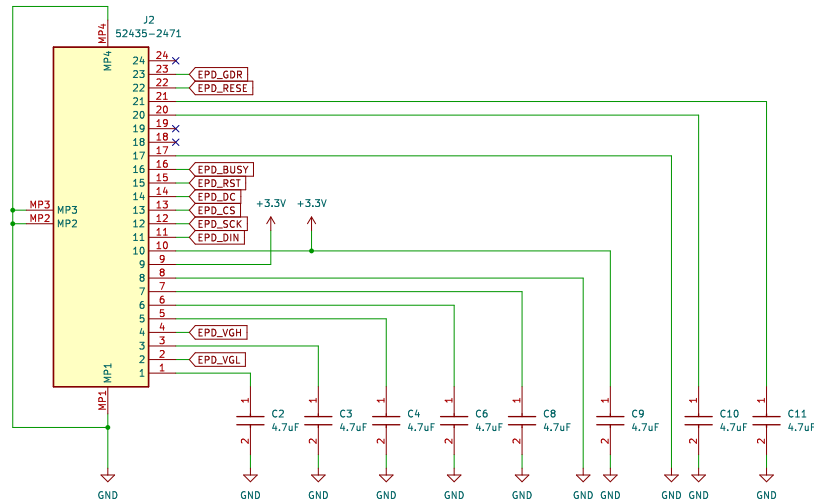
Resistors for buttons? (S1,S2,S3)



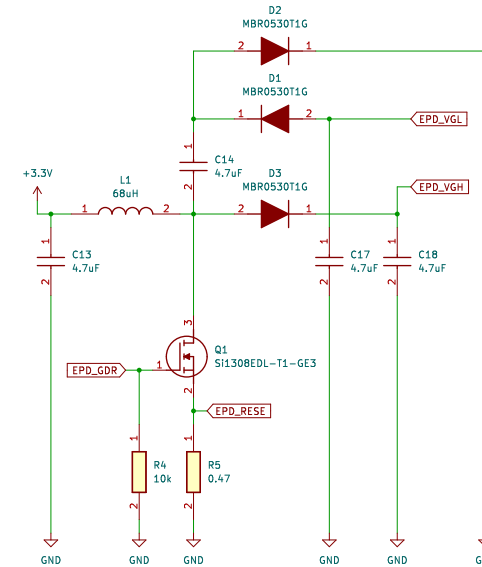
Multi purpose button



ePaper connector



ePaper driver



GitHub.com/Plaenkler

Sheet: /

File: Gulu_ESP32-C3_ePaper.kicad_sch

Title: Gulu_ESP32-C3_ePaper

Size: A3

Date: 2024-02-08

Rev: 1.1.7

KiCad E.D.A. kicad 7.0.9

Id: 1/1