

supply

File: supply.kicad_sch

regulators

File: regulators.kicad_sch

control

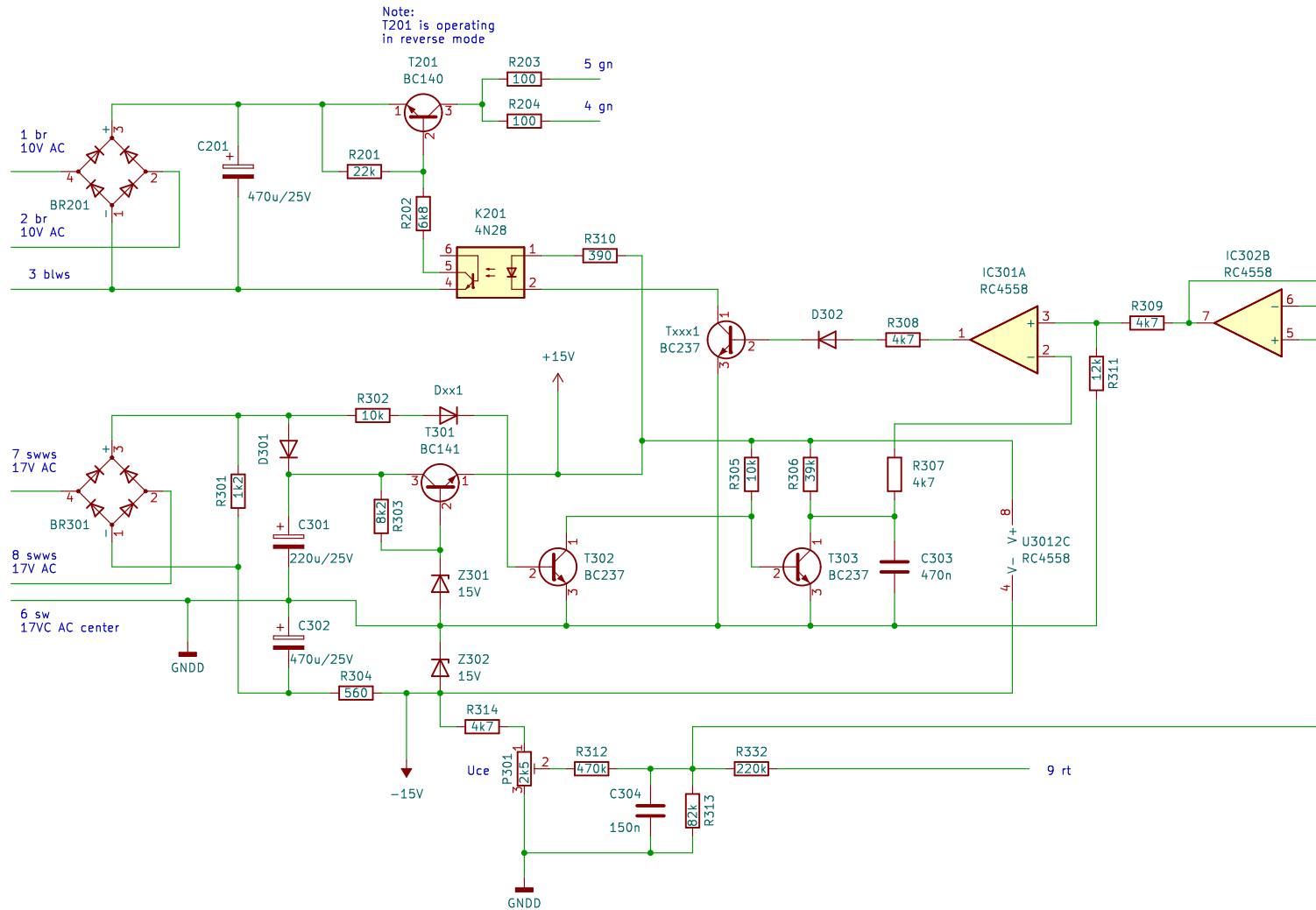
File: control.kicad_sch

Sheet: /
File: Hera-NT.kicad_sch

Title:

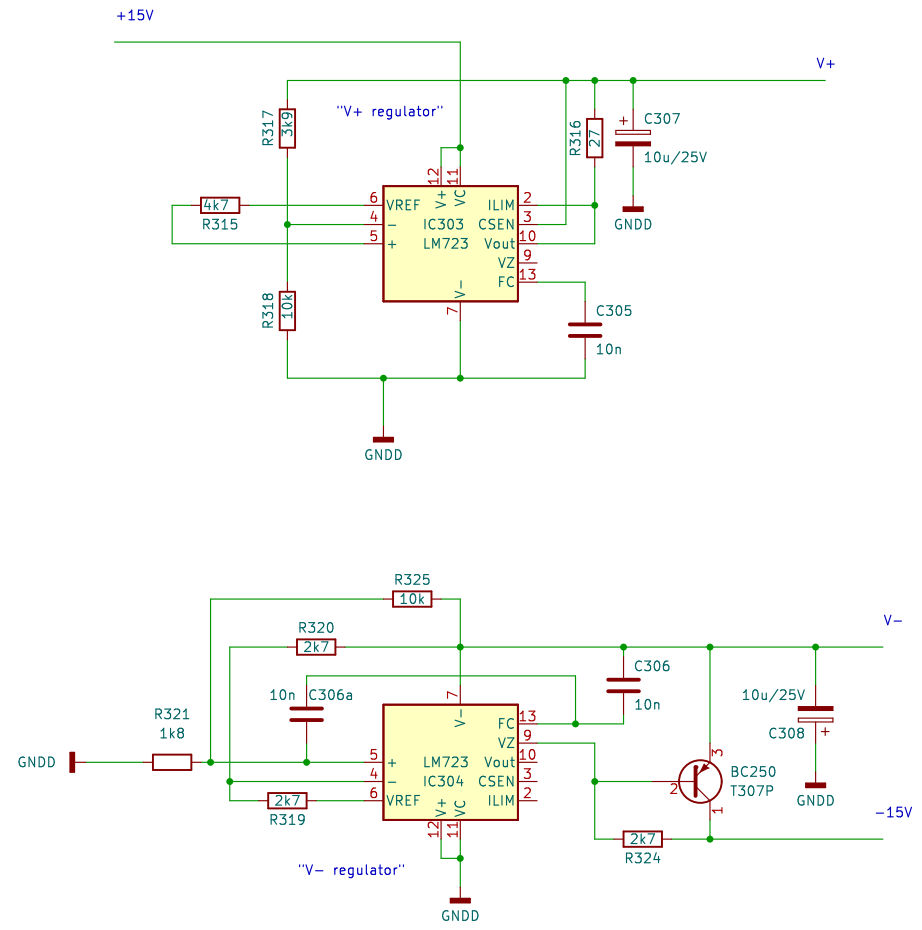
Size: A4 Date:
KiCad E.D.A. eeschema 7.0.8

Rev:
Id: 1/4



Sheet: /supply/
File: supply.kicad_sch

Title:	
Size: A4	Date:
KiCad E.D.A. eeschema 7.0.8	
Rev:	Id: 2/4

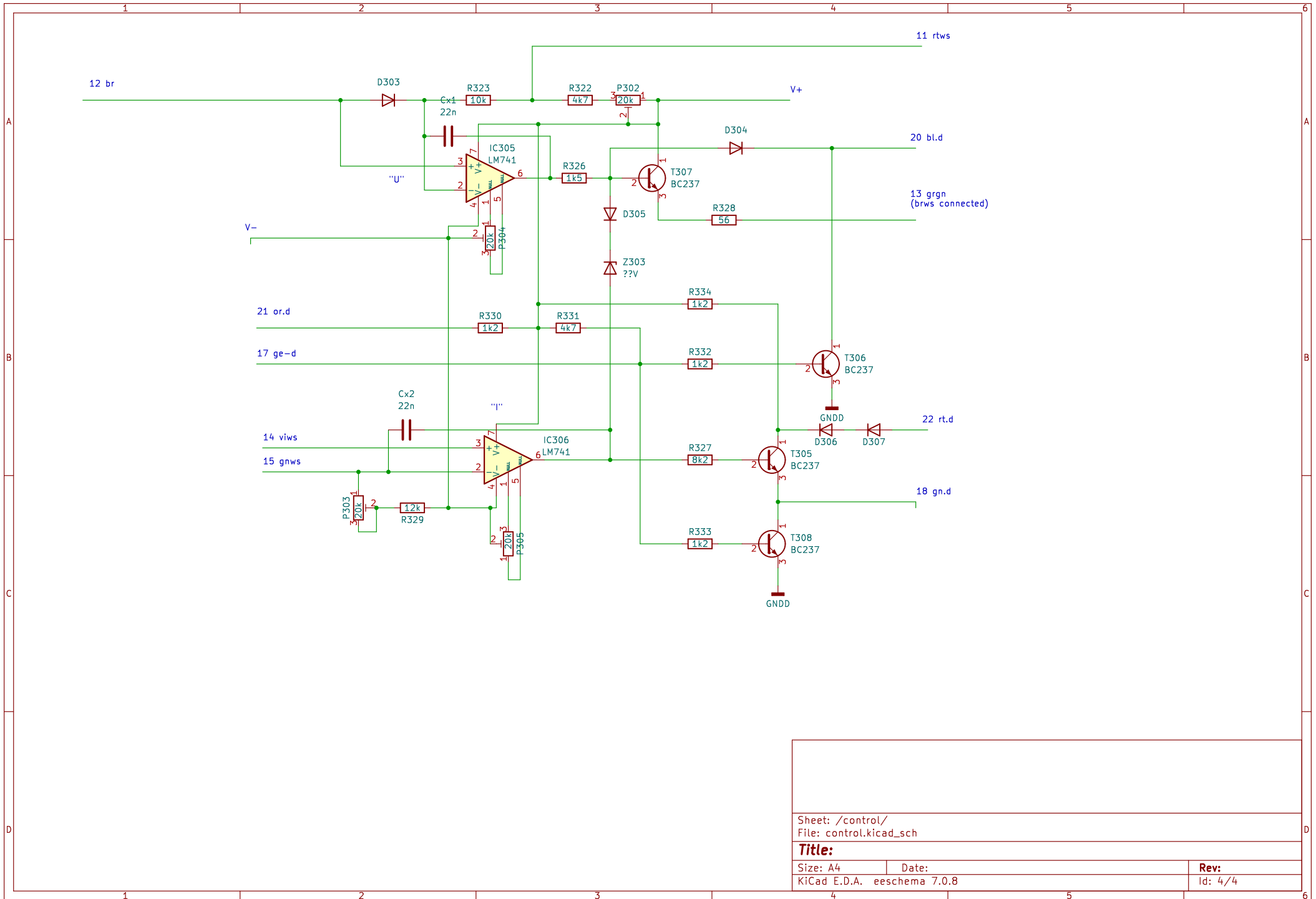


Sheet: /regulators/
 File: regulators.kicad_sch

Title:

Size: A4 Date:
 KiCad E.D.A. eeschema 7.0.8

Rev:
 Id: 3/4



Sheet: /control/		File: control.kicad_sch	
Title:			
Size: A4	Date:	Rev:	
KiCad E.D.A. eeschema 7.0.8	Id: 4/4		