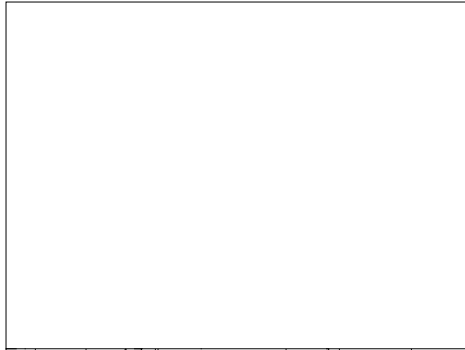
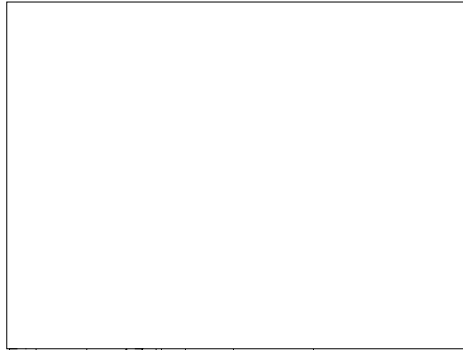


Sheet: Microcontroller



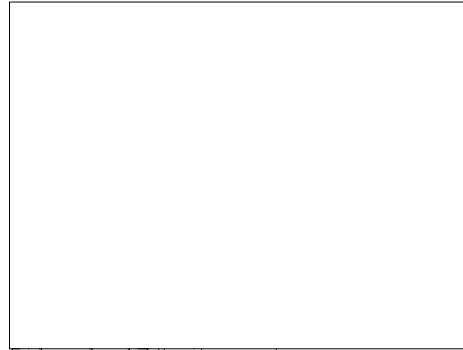
File: lpc17db_microcontroller.sch

Sheet: Headers / Miscellaneous



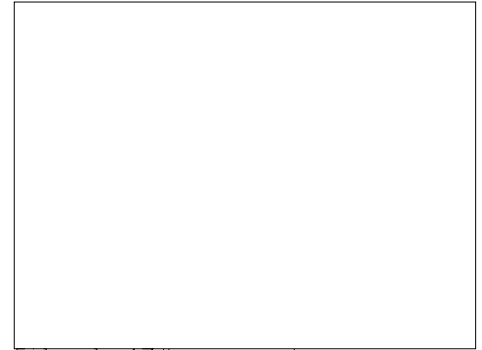
File: lpc17db_headers.sch

Sheet: JTAG / ISP



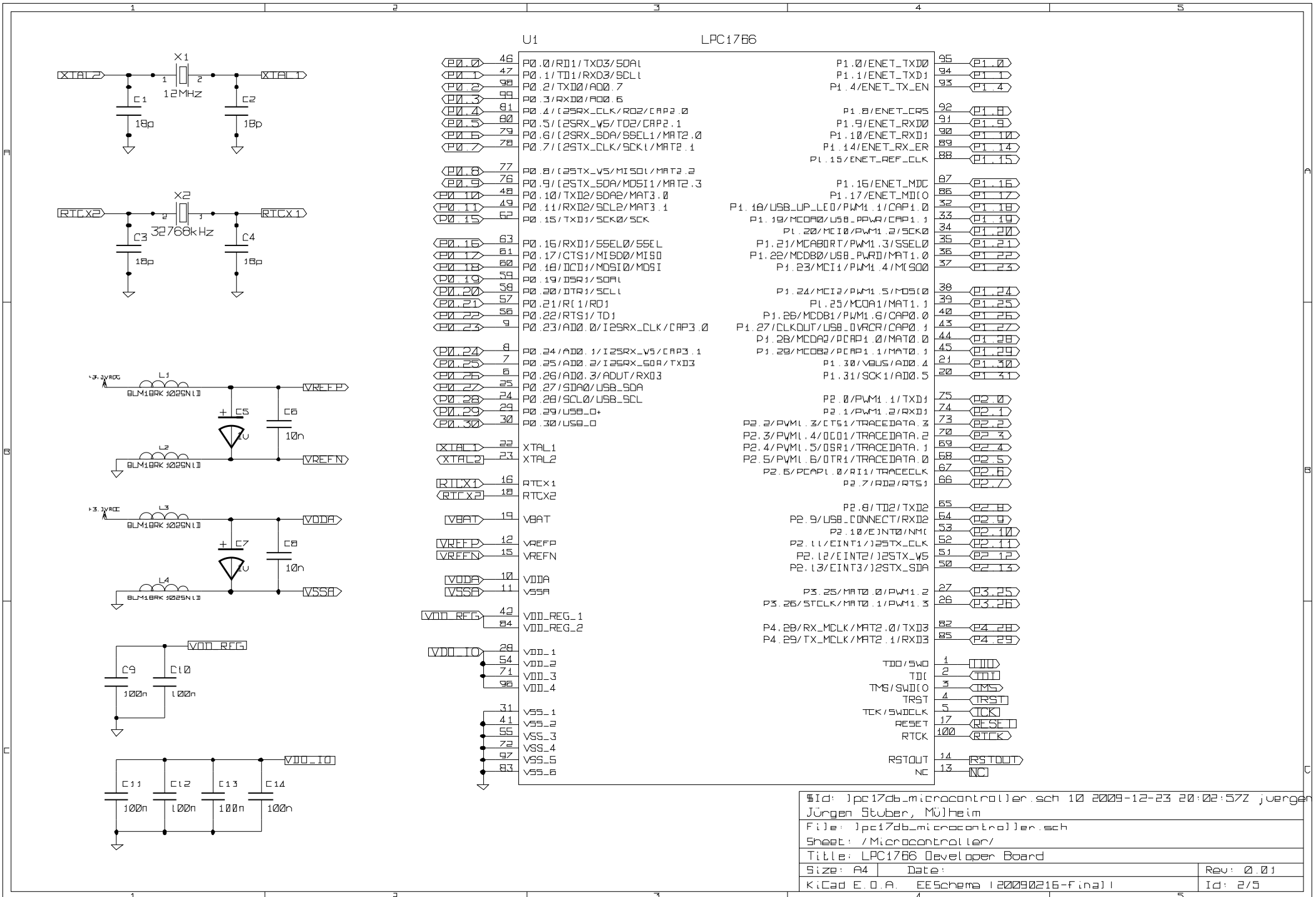
File: lpc17db_jtag.sch

Sheet: Power / USB

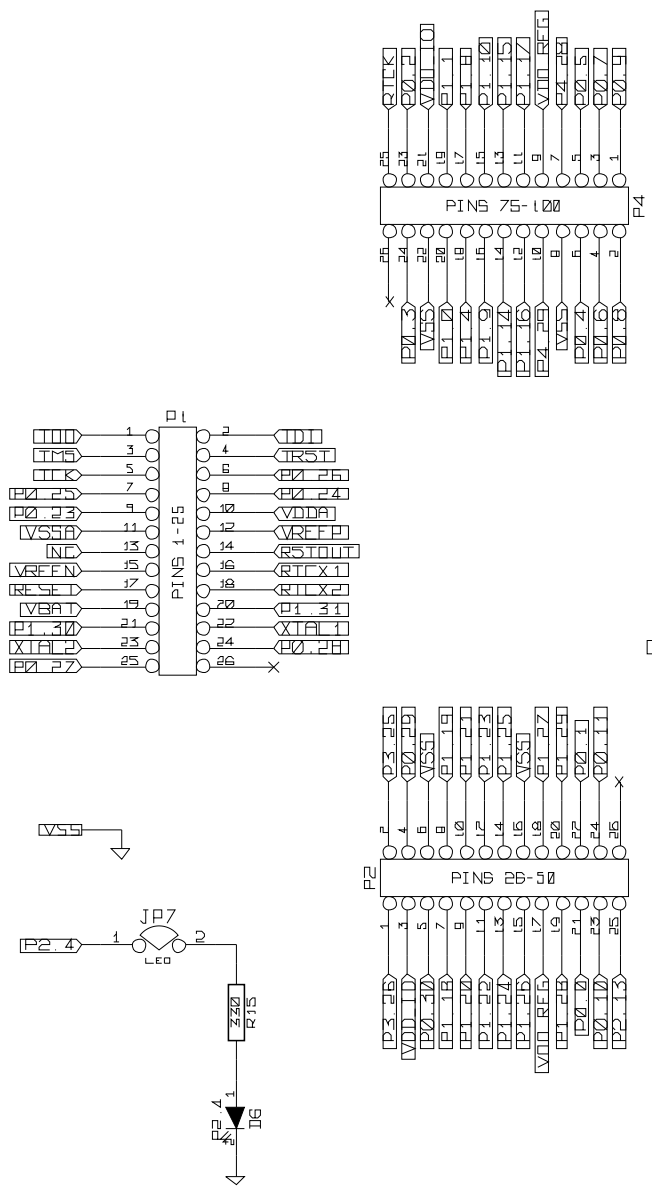


File: lpc17db_power.sch

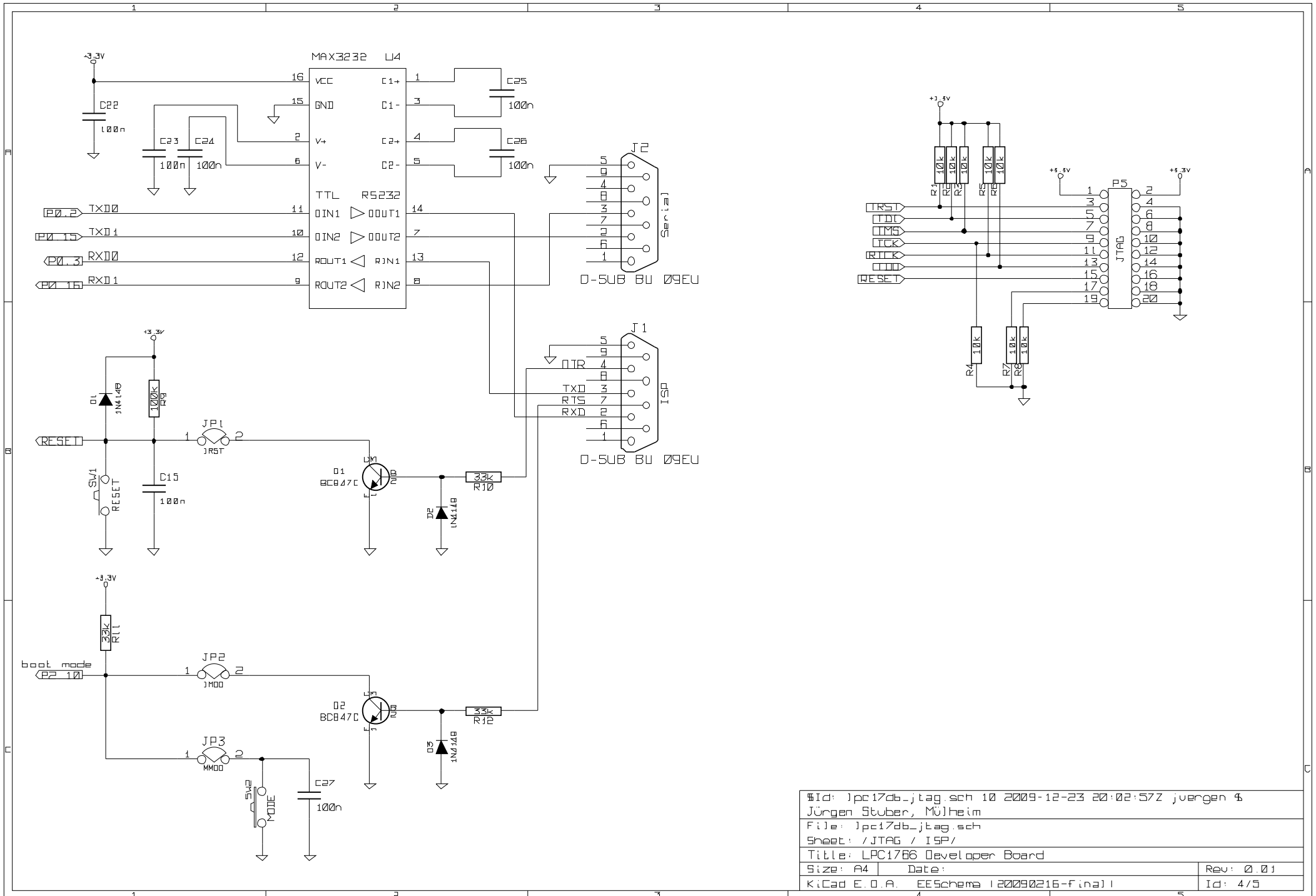
#Id: lpc17db.sch_10 2009-12-23 20:02:57Z juergen \$		
Jürgen Stüber, Mühlheim		
File: lpc17db.sch		
Sheet: /		
Title: LPC1766 Developer Board		
Size: A4	Date:	Rev: 0.01
KiCad E.O.A. EESchema 20090216-final		Id: 1/5



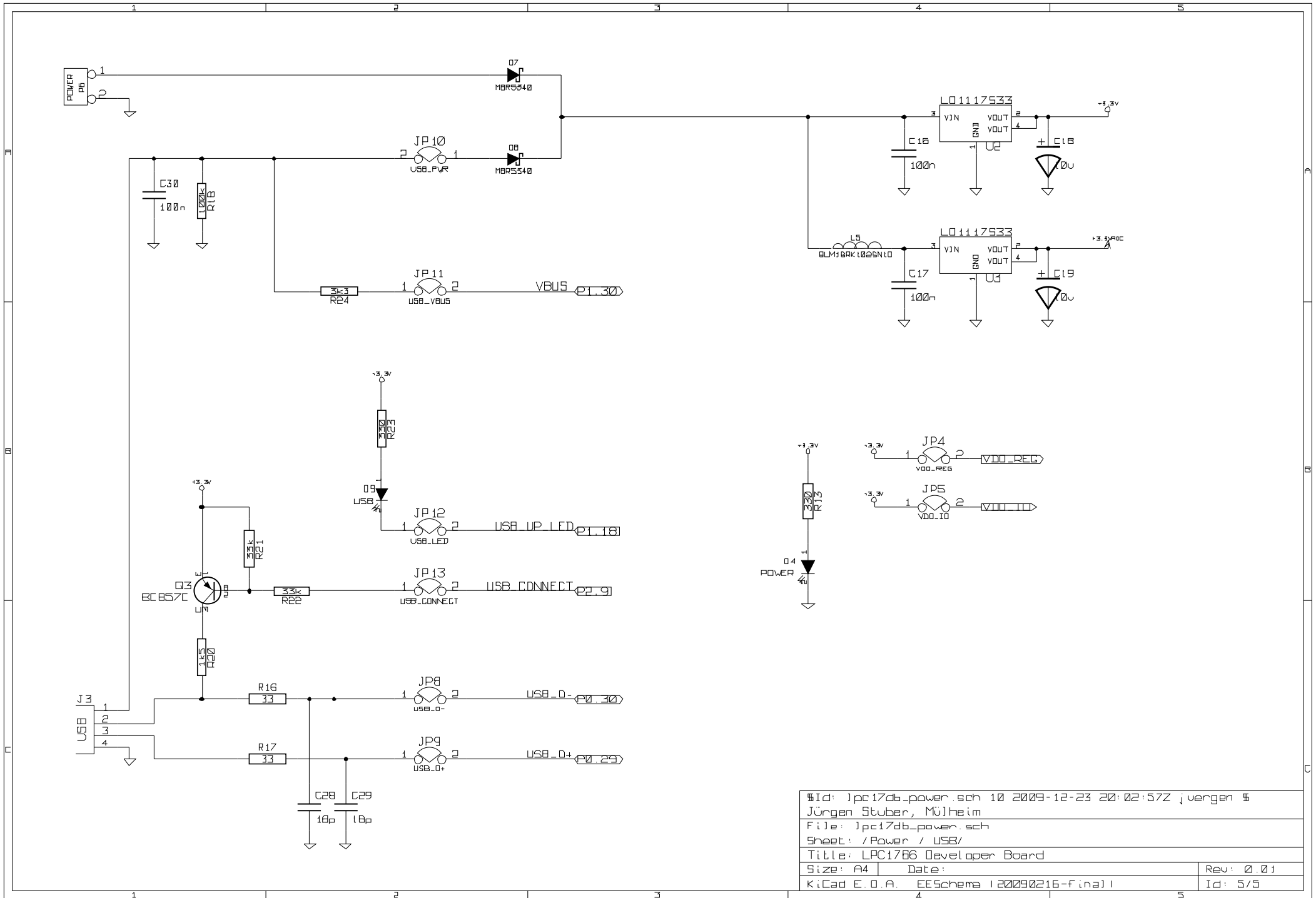
\$Id: jpc17db_microcontroller.sch 10 2009-12-23 20:02:57Z juergen
 Jürgen Stüber, Mühlheim
 File: jpc17db_microcontroller.sch
 Sheet: /Microcontroller/
 Title: LPC17B6 Developer Board
 Size: A4 Date: Rev: 0.01
 KiCad E.O.A. EESchema 12090216-final Id: 2/5



\$Id: lpc17db_headers.sch 10 2009-12-23 20:02:57Z juergen f. Jüngen Stuber, Mühlheim	
File: lpc17db_headers.sch	
Sheet: /Headers / Miscellaneous/	
Title: LPC1766 Developer Board	
Size: A4	Date:
KiCad E.O.A. EESchema 120090216-final1	Rev: 0.01
Id: 3/5	



#Id: lpc17db_jtag.sch 10 2009-12-23 20:02:57Z juergen &	
Jürgen Stüber, Mülheim	
File: lpc17db_jtag.sch	
Sheet: /JTAG / ISP/	
Title: LPC1766 Developer Board	
Size: A4	Date:
KiCad E.O.A. EESchema 120090216-final1	
Rev: 0.01	Id: 4/5



\$Id: Jpc17db_power.sch 10 2009-12-23 20:02:57Z juergen \$ Jürgen Stüber, Mülheim	
File: Jpc17db_power.sch Sheet: /Power / USB/	
Title: LPC1766 Developer Board	
Size: A4	Date:
KiCad E.O.A. EESchema 120090216-final1	
Rev: 0.01	Id: 5/5