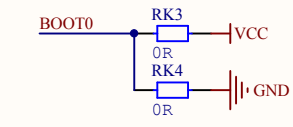
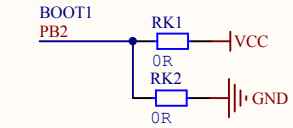
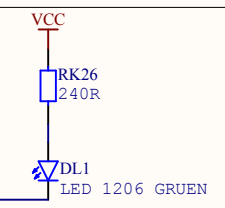
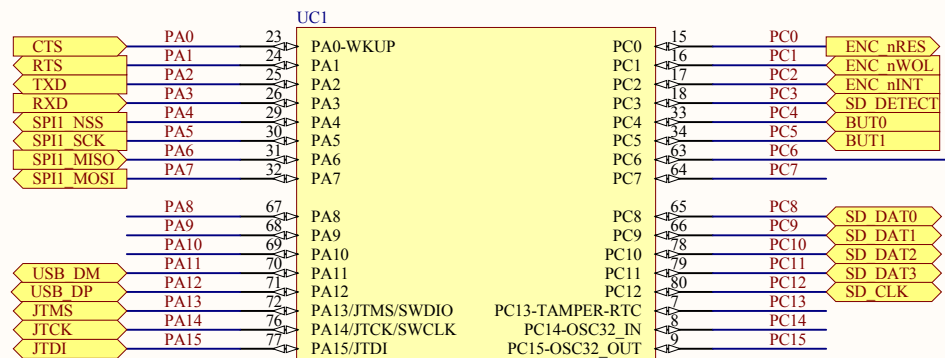


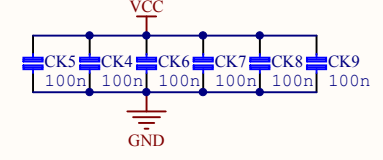
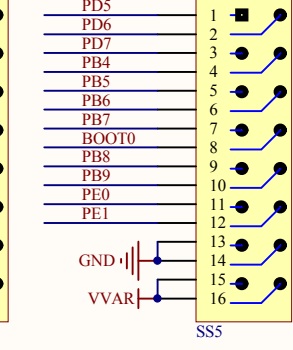
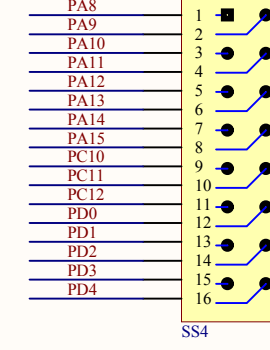
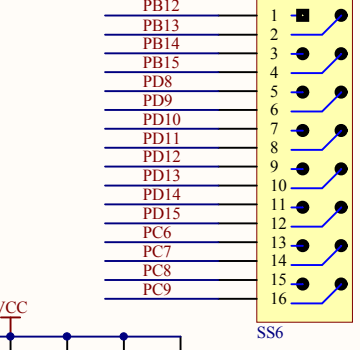
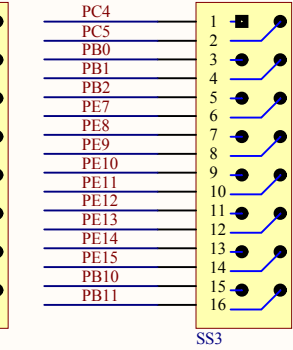
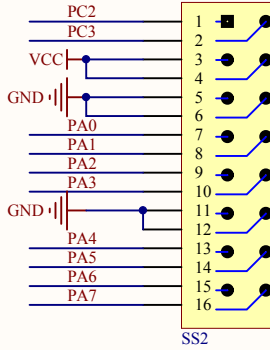
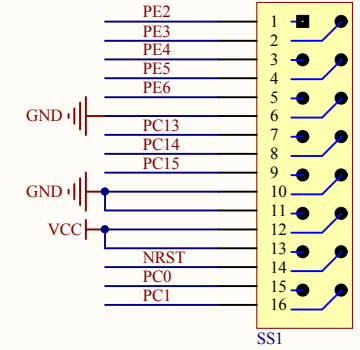
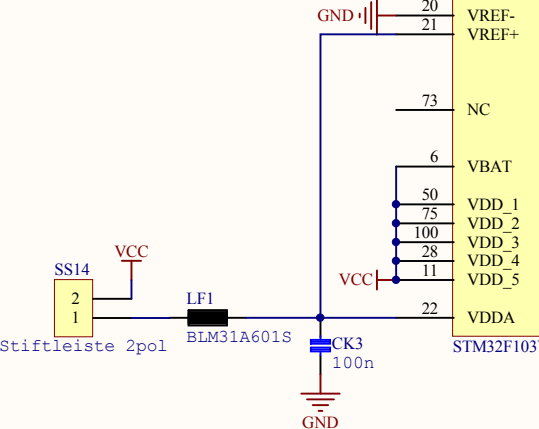
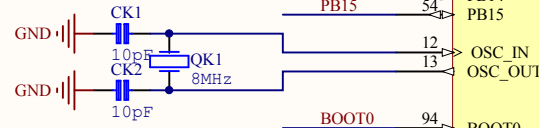
Current measuring

VCC fixed for 3.3V
 VVAR can be anything you want for...
 (Backlights example)

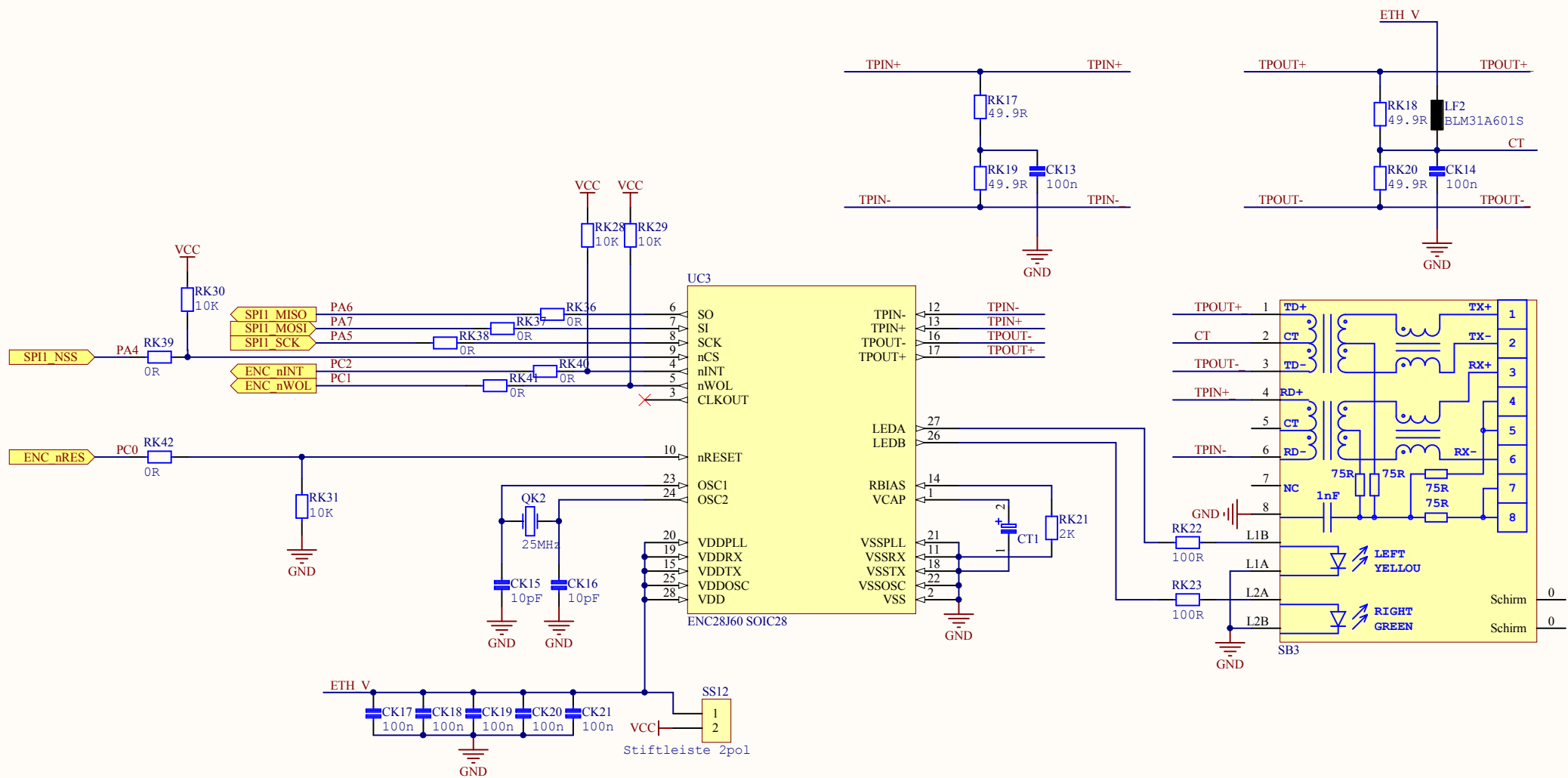
Title Power		
Size: A4	Number: 1.	Revision: 1.0
Date: 24.01.2010	Time: 18:35:04	Sheet 1 of 7
File: C:\Projekte\ALTIUM\STM-DEV\Power.SchDoc		



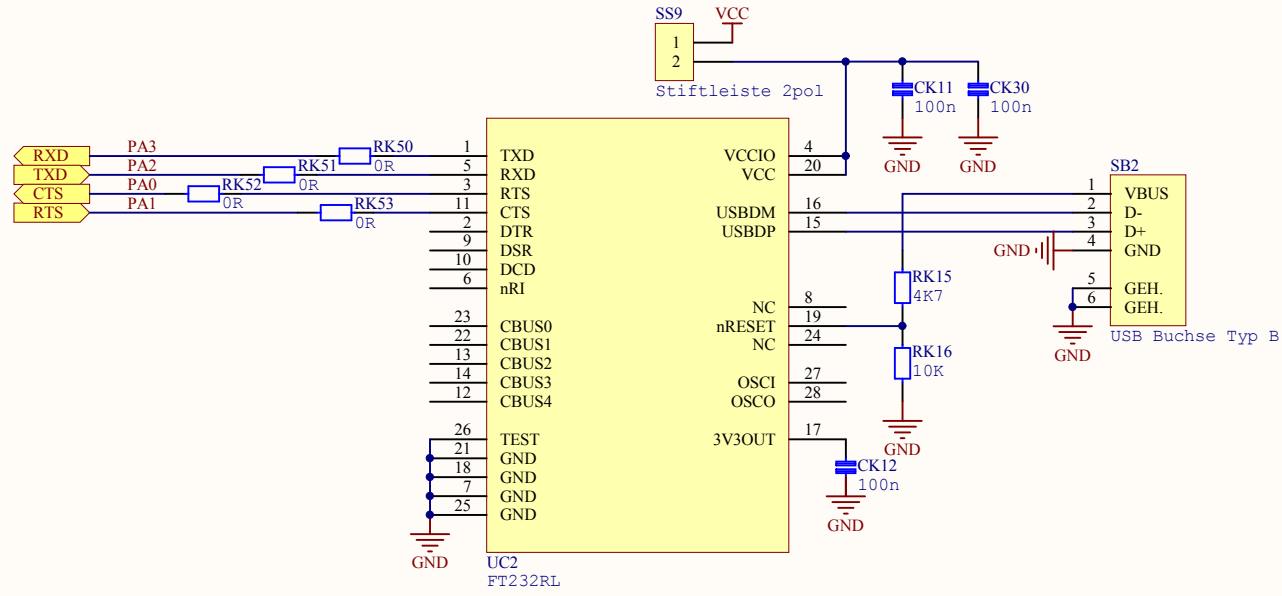
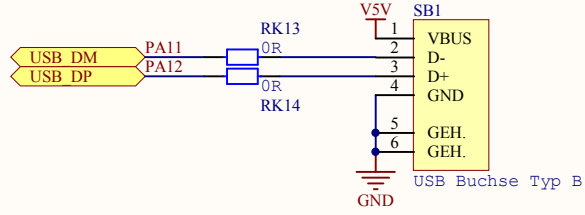
BOOT0	BOOT1	Memory Type
x	0	Main Flash memory
0	1	System memory
1	1	Embedded SRAM



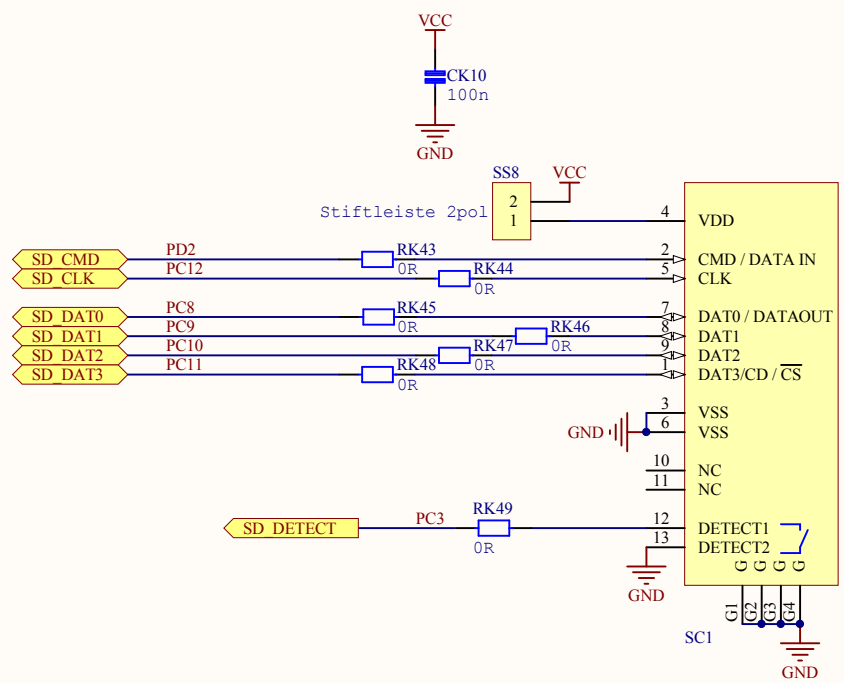
Title CPU Master		
Size: A4	Number: 2.	Revision: 1.0
Date: 24.01.2010	Time: 18:35:05	Sheet 2 of 7
File: C:\Projekte\ALTIUM\STM-DEV\CPU Master.SchDoc		



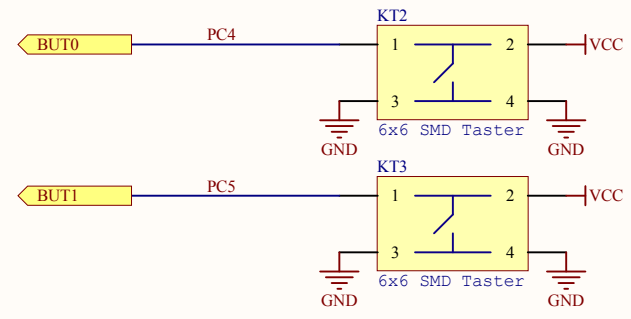
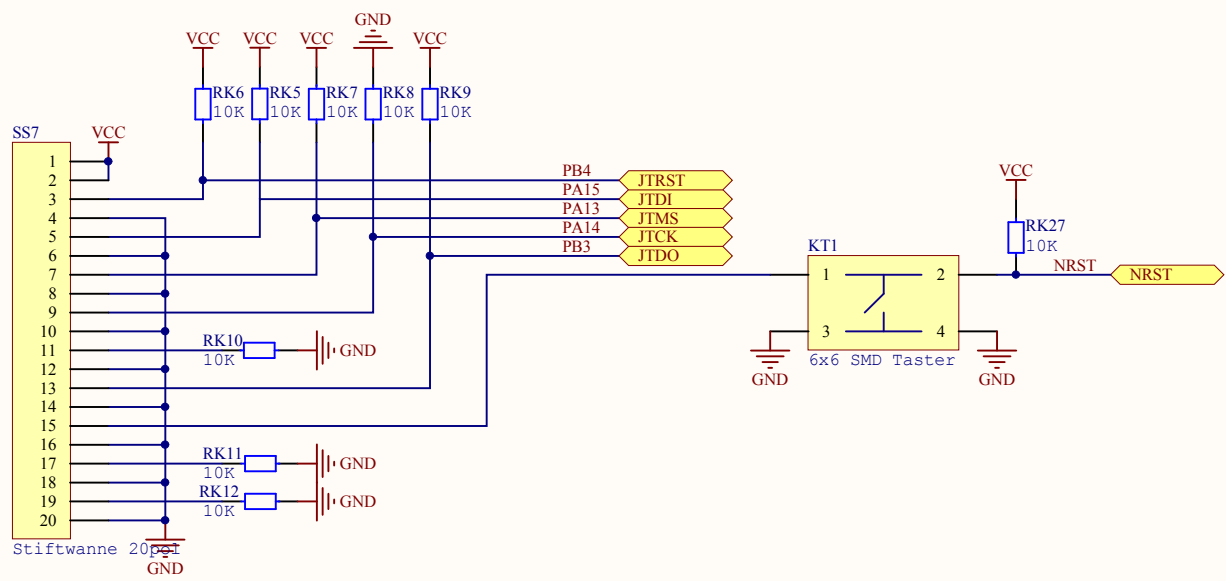
Title Ethernet		
Size: A4	Number: 3.	Revision: 1.0
Date: 24.01.2010	Time: 18:35:05	Sheet 3 of 7
File: C:\Projekte\ALTIUM\STM-DEV\Ethernet.SchDoc		



Title USB		
Size: A4	Number: 4.	Revision: 1.0
Date: 24.01.2010	Time: 18:35:05	Sheet 4 of 7
File: C:\Projekte\ALTIUM\STM-DEV\USB.SchDoc		



Title		
Size: A4	Number: 5.	Revision:
Date: 24.01.2010	Time: 18:35:05	Sheet 5 of 7
File: C:\Projekte\ALTUMSTM-DEV\SD-Card.SchDoc		



Title		
Size: A4	Number: 7.	Revision:
Date: 24.01.2010	Time: 18:35:05	Sheet 7 of 7
File: C:\Projekte\ALTIUMSTM-DEV\JTAG.SchDoc		

